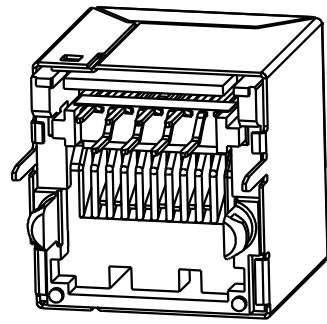
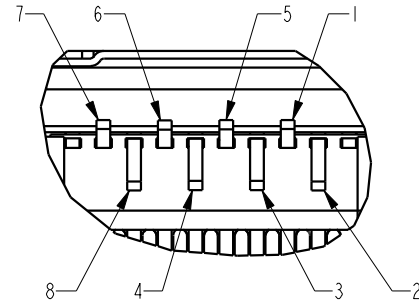


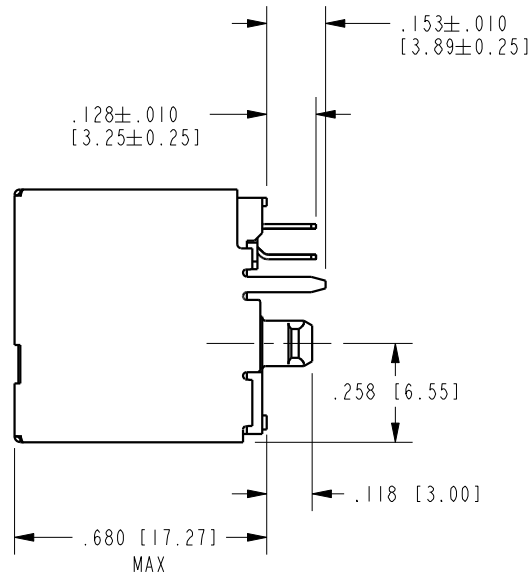
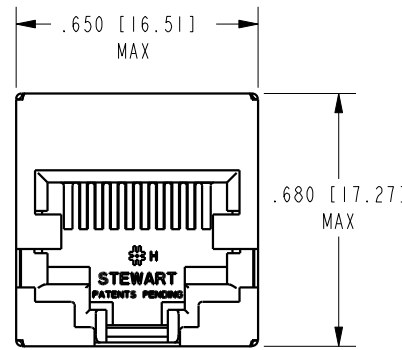
DATE	REV.	ECN	APP'D BY
8-6-10	C1	8241	TRM
5-30-12	C2	9481	SMN
6-19-12	C3	9515	TRM
2-17-15	C4	10260	ADB



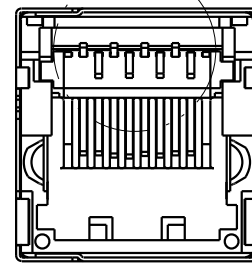
ISO VIEW



JACK PIN NUMBERS



SEE DETAIL JACK PIN NUMBERS



∅.066 [1.68](2)
⊕ ∅.006 [0.15]

.225 [5.72]

.085 [2.16]

∅.125-.128 (2)
⊕ ∅.006 [0.15]

.080 TYP [2.03]
.040 TYP [1.02]

SEE DETAIL PCB PIN NUMBERS

∅.035 [0.89](8)
⊕ ∅.006 [0.15]

.080 [2.03]

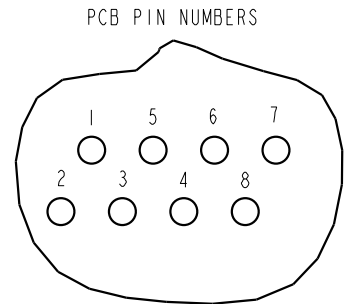
.152 [3.86]

COMPONENT SIDE

.450 [11.43]
.618 [15.70]

PCB RECOMMENDED HOLE LAYOUT SEEN FROM COMPONENT SIDE

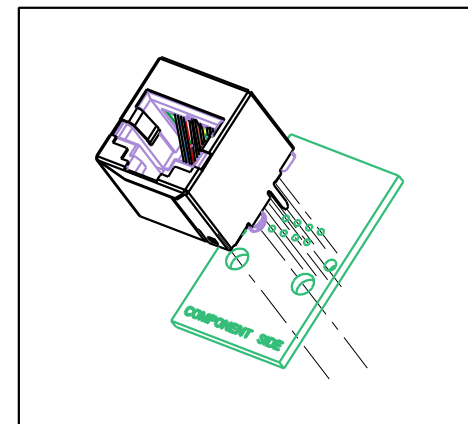
ALL CENTERLINE DIMENSIONS ARE BASIC



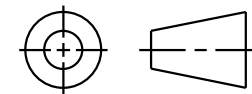
NOTES:

- CONNECTOR MATERIALS:
HOUSING: THERMOPLASTIC UL94 V-0
CONTACTS/SHIELD: COPPER ALLOY
SHIELD PLATING: NICKEL
CONTACT PLATING: SELECTIVE PLATING IN CONTACT AREA
SEE CHART FOR DETAILS.
- PRODUCT DESIGNED FOR CATEGORY 6 APPLICATIONS
- DIMENSIONS AND TOLERANCES COMPLY WITH TIA-1096 STANDARD.
- REFERENCE PRODUCT SPECIFICATION PR026-01

50 MICRO-INCHES [1.27um] Au OR 5 MICRO-INCHES [0.13um] Au OVER 30 MICRO-INCHES [0.76um] PdNi	SS-60000-008
CONTACT PLATING IN MATING AREA	PART NUMBER



THIRD ANGLE PROJECTION



11118 Susquehanna Trail South
Glen Rock, PA 17327-9199
(717) 235-7512

<http://www.stewartconnector.com>

DO NOT SCALE DRAWING

DRAWING IS SUBJECT TO CHANGE WITHOUT NOTICE

DIMENSIONS: INCHES [METRIC]

UNLESS OTHERWISE SPECIFIED TOLERANCES ARE ±.005 [0.13] ANGLES ARE ±1°

SHEET NO. 1 OF 1

TITLE: CATEGORY 6 SHIELDED VERTICAL JACK

THIS DRAWING AND THE SUBJECT MATTER SHOWN THEREON ARE CONFIDENTIAL AND THE PROPRIETARY PROPERTY OF STEWART CONNECTOR AND SHALL NOT BE REPRODUCED, COPIED, OR USED IN ANY MANNER WITHOUT PRIOR WRITTEN CONSENT OF STEWART CONNECTOR. THIS PRODUCT MAY BE PROTECTED BY ONE OR MORE OF THE FOLLOWING US PATENTS: 5791942 6217391 6368159 6419526 6602097 687722 6964587 7048590 7086909 7568950 7686650 OTHER PATENTS MAY BE PENDING.

DRN BY: JRC	DATE: 6-18-02
APPD BY: DHG	DATE: 6-18-02
DWG. NO. CT600008	REV. C4