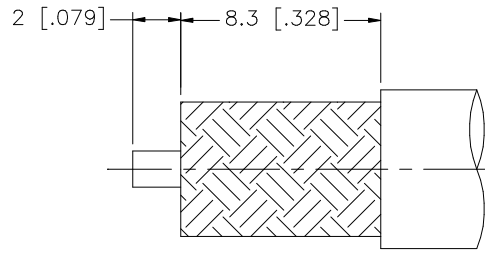
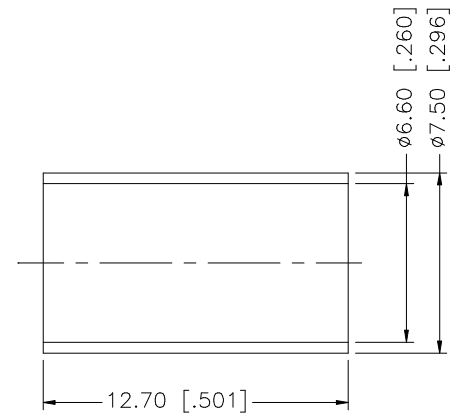
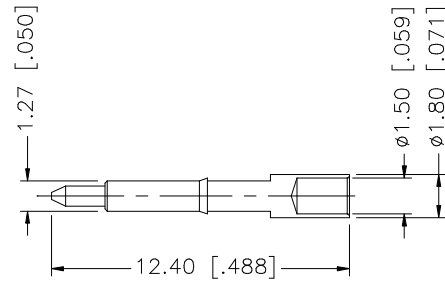
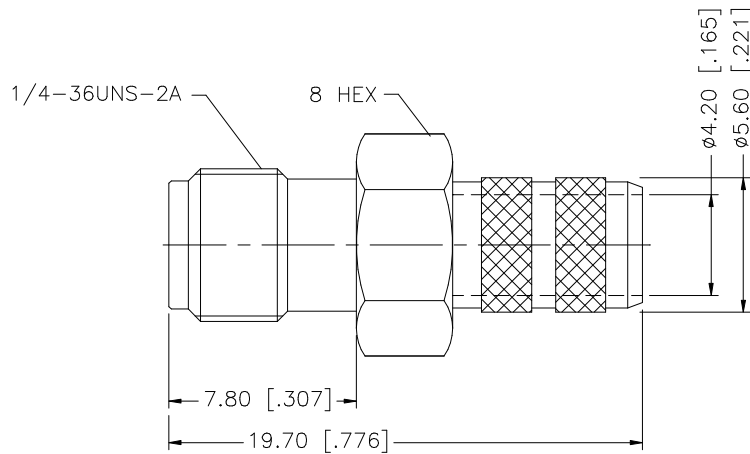


REV.	DATE	DESCRIPTION
NC	01/08/07	INITIAL RELEASE



RECOMMENDED
CABLE STRIPPING DIM'S



NOTE:

1. CRIMPED FERRULE HEX CRIMP SIZE .255.
2. CONTACT PIN TO SOLDER.

8				<small>UNLESS OTHERWISE SPECIFIED DIMENSIONS ARE IN MILLIMETERS. DIMENSIONS IN [] ARE IN INCHES AND FOR CUSTOMER REFERENCE ONLY.</small> <small>UNLESS OTHERWISE SPECIFIED TOLERANCES FOR MILLIMETERS ARE: 0.5 - 8mm ± 0.20mm 8 - 30mm ± 0.40mm 30 - 120mm ± 0.50mm</small> <small>UNLESS OTHERWISE SPECIFIED TOLERANCES FOR INCHES ARE: .020 - .315 ± ± 0.007" .315 - 1.180 ± ± 0.015" 1.180 - 4.724 ± ± 0.020"</small>	APPROVALS	DATE	<h1 style="color: blue;">Amphenol Connex</h1>	
7			DRAWN		G.R.S.	01/08/07		
6			CHECKED					
5			ISSUED					
4	FERRULE	COPPER	GOLD		1			
3	CONTACT PIN	BER. COPPER	GOLD	1				
2	INSULATOR	TEFLON	NATURAL	1				
1	BODY	BRASS	GOLD	1				
	DESCRIPTION	MATERIAL	FINISH	QTY	DO NOT SCALE DRAWING			
					CAD FILE	C:/132/132240RP.DWG	PART DESCRIPTION	SMA REVERSE POLARITY CRIMP JACK (FOR RG-8/X, LMR240)
							PART NO.	132240RP
					DWG. NO.	132240RP.DWG	REV.	NC
							SIZE	A
							SCALE	NA