

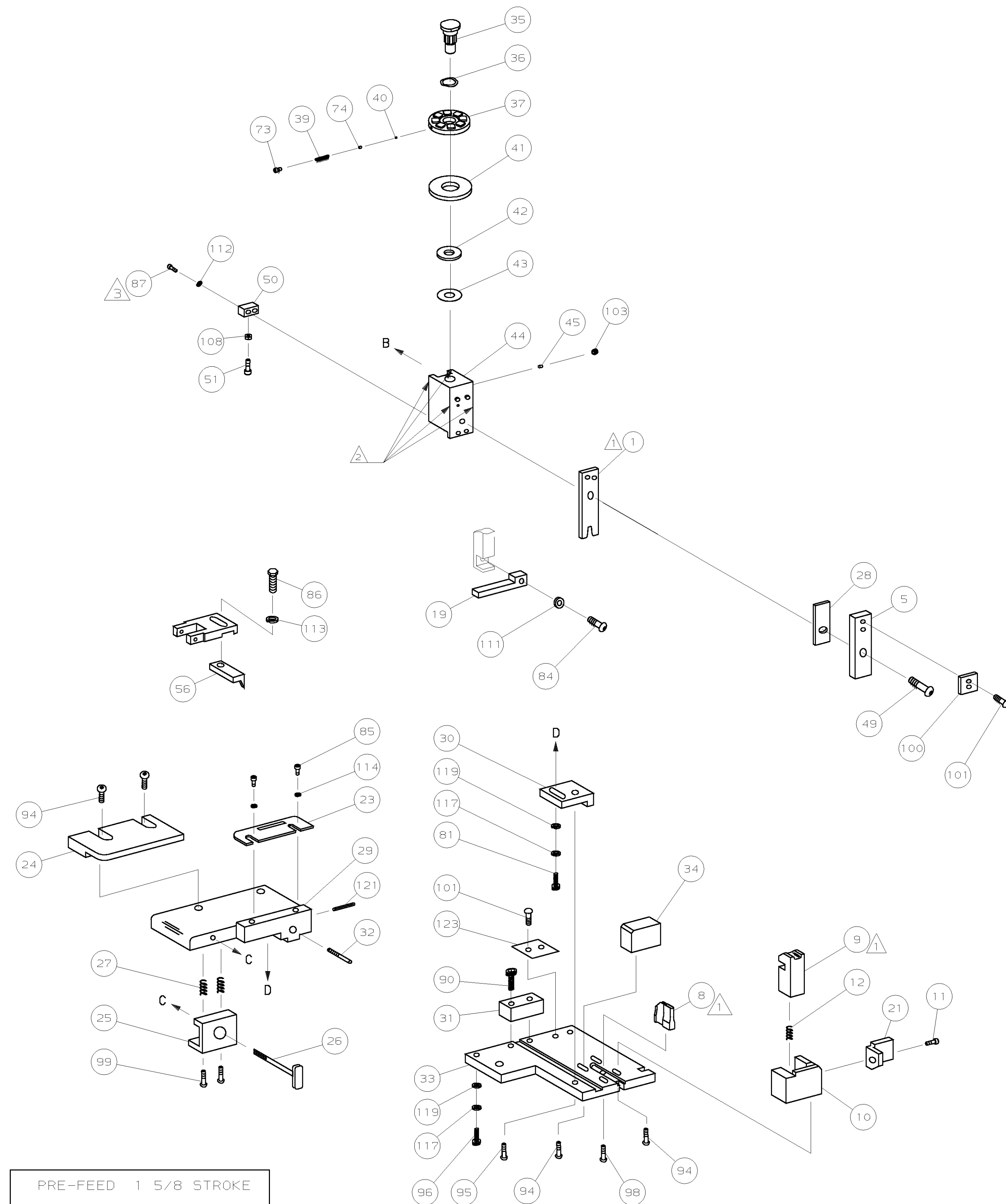
PART NUMBER	REV	FIRST USED
466996-1	A	854040-3

TERMINAL NAME:	
PIN	SOCKET
745229-2	745230-2
745229-3	745230-3
745229-5	745230-5
745229-8	745230-8
745229-9	745230-9
1-745229-1	1-745230-1
1-745229-2	1-745230-2

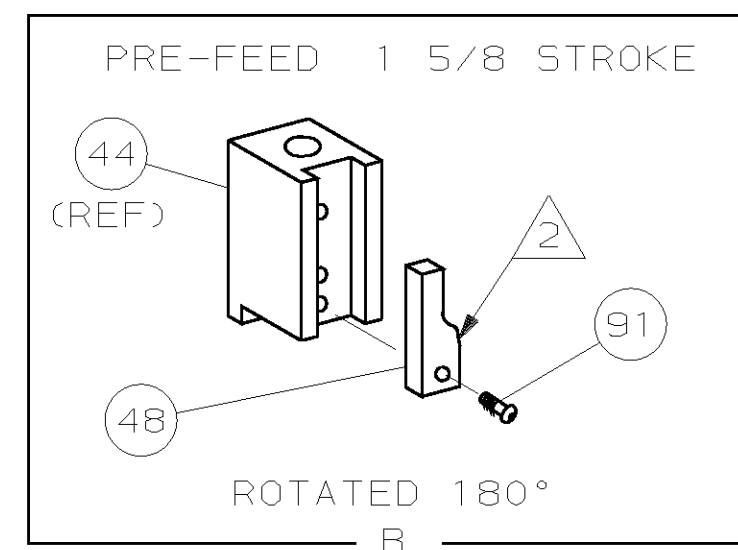
VISIBLE PAD LTR	CRIMPING DATA		
	CRIMP HEIGHT	WIRE SIZE	
A	.037 ±.002	20	
B	.035 ±.002	22	
C	.044 ±.002	18	
D	NOT	USED	
CRIMP	SIZE	TYPE	RANGE
WIRE	.062	F	22-18
INSUL	-	-	-
FEED	APPL INST	SET UP GAGE	LAYOUT
.300	A1-	-	471-A
WIRE STRIP LENGTH .095-.125			

					125
					124
1	-	B	690701-2	PLATE, SERIAL NO.	123
					122
1	-	A	4-21028-0	PIN,SLT SPR(φ.093x.75)ST 6DE PL	121
					120
2	-	A	21899-2	WASHER,FLAT(#10)S 6 ADJ BLK	119
					118
2	-	A	21024-5	WASHER, LOCK(#10)ADJ BLOCK	117
					116
					115
2	-	A	21024-2	WASHER,LOCK(#4)FRONT STP GUIDE	114
REF	-	A	21024-4	WASHER,LOCK(#8)FEED FINGER	113
2	-	A	21024-4	WASHER,LOCK(#8)DEP-HOLD	112
REF	-	A	21024-4	WASHER,LOCK(#8)STRIPPER	111
					110
					109
1	-	A	21018-5	NUT,HEX(#6)HOLD DOWN	108
					107
					106
					105
					104
1	-	A	21009-2	SCR,5KT 5ET(1/4-20x.25 LW)RAM	103
					102
4	-	A	21017-2	SCR,DRIVE(#2x.19)ID PLATE	101
1	-	B	819347-1	PLATE, IDENTIFICATION	100
2	-	A	3-21002-0	SCR,BHC(10-32x.88)DRAG	99
1	-	A	22733-8	SCR,BHC(8-32x.38 LW)ANVIL	98
					97
1	-	A	3-21000-8	SCR,SHC(10-32x.88)MOUNTING	96
1	-	A	2-21002-7	SCR,BHC(10-32x.50)5G ADJ BLK	95
6	-	A	2-21002-2	SCR,BHC(8-32x.50)SHEAR-TERM SUP	94
					93
					92
1	-	A	1-21002-7	SCR,SHC(6-32x.50)CAM	91
2	-	A	2-21000-7	SCR,SHC(8-32x.50)SCR BLK	90
					89
					88
2	-	A	2-21000-7	SCR,SHC(8-32x.48)DEP-HOLD DOWN	87
REF	-	A	2-22603-0	SCR,HEX HD(8-32x.31)FEED FINGER	86
2	-	A	1-21000-3	SCR,SHC(4-40x.25)F ST GUIDE	85
REF	-	A	22733-9	SCR,BHC(8-32x.50 SL)STRIPPER	84
					83
					82
1	-	A	3-22603-1	SCR,HEX(10-32x.38)5G ADJ BL	81
					80
					79
					78
2	-	B	463310-5	BLADE, STRIPPING (#20)	77
					76
					75
1	-	A	690603-1	SPRING, ASSIST	74
1	-	A	23030-1	SCR,SHC(6-32x.25)CP DISC	73
					72
					71

REF	QTY	DESCRIPTION	ITEM NO
			70
			69
			68
			67
			66
			65
			64
			63
			62
			61
			60
			59
			58
			57
			56
1	-	B 694433-8 PAWL, FEED	56
			55
			54
			53
			52
1	-	A 811242-2 BUMPER, HOLDDOWN	51
1	-	A 690753-1 SPACER, TONKER	50
1	-	A 7-21002-9 BOLT, CRIMPER(5/16x1.00)	49
1	-	A 690602-6 CAM, PRE-FEED 1.62 STROKE	48
			47
			46
1	-	A 690191-1 PLUG, NYLON	45
1	-	C 455673-1 RAM	44
1	-	A 690125-1 WASHER, LAMINATED	43
1	-	A 690124-1 WASHER, RAM	42
1	-	A 690223-1 DISC, SPACER	41
1	-	A 23241-6 BALL, STEEL	40
1	-	A 690170-1 SPRING, COMPRESSION	39
			38
1	-	B 9-692155-9 DISC, WIRE	37
1	-	A 22480-5 WASHER, SPRING	36
1	-	B 690212-1 POST, RAM	35
1	-	B 692776-2 SUPPORT, TERMINAL	34
1	-	C 462544-1 PLATE, BASE SPECIAL	33
1	-	A 690432-3 SCREW, ADJUSTMENT	32
1	-	B 462543-1 BLOCK, SCREW SPECIAL	31
1	-	B 455689-1 BLOCK, STRIP GUIDE ADJ	30
1	-	C 1-455671-0 PLATE, STRIP GUIDE	29
1	-	C 1-455888-0 SPACER, FRONT SHEAR DEP	28
2	-	A 1-22284-0 SPRING, DRAG	27
1	-	B 690546-1 LEVER, DRAG RELEASE	26
1	-	B 240792-1 DRAG, TERMINAL	25
1	-	D 6-690504-4 GUIDE, STRIP (REAR)	24
1	-	A 690438-1 GUIDE, STRIP (FRONT)	23
			22
1	-	A 463756-1 GUIDE, SCRAP	21
			20
REF	-	C 462615-1 STRIPPER	19
			18
			17
			16
			15
			14
			13
1	-	A 5-22280-0 SPRING, SHEAR	12
1	-	B 690461-2 STOP, SHEAR (FRONT)	11
1	-	B 462548-1 HOLDER, SHEAR (FRONT) SP	10
1	-	B 462547-1 SHEAR, FLOAT (FRONT) SP	9
1	-	C 1-683403-6 ANVIL	8
			7
			6
1	-	A 462838-1 DEPRESSOR, SHEAR (FRONT) SP	5
			4
			3
			2
1	-	C 2-456403-6 CRIMPER, WIRE	1



1 RECOMMENDED SPARE PARTS.
 2 GREASE LIGHTLY.
 3 CUT TO LENGTH AT ASSY.



QTY	REV	U/M	DWG SIZE	PART NO	DESCRIPTION	ITEM NO
-1						

QTY	REV	U/M	DWG SIZE	PART NO	DESCRIPTION	ITEM NO
-1						

DIMENSIONS IN INCHES. DO NOT SCALE PRINT. TOLERANCES UNLESS OTHERWISE SPECIFIED:		MATL	HT TR	FIN
DR 2/23/93	APP 3-8-93			
J.HERRINGTON	B.WOLFE			
2 PLC DEC ±	REL 3/14/96			
3 PLC DEC ±	C.ERISMAN			
4 PLC DEC ±	B. MORGAN			
ANGLES ±				
SURF TEXTURE: ✓				
REMOVE BURRS, BREAK SHARP EDGES R.015 MAX				
SCALE	DWG NO	466996		
CASE CODE 00779	CUSTOMER AND ASSEMBLY DRAWING			

THIS DRAWING IS A CONTROLLED DOCUMENT.

THIS DRAWING IS UNPUBLISHED.
 RELEASED FOR PUBLICATION BY AMP INCORPORATED. ALL RIGHTS RESERVED.
 AMP 1756 REV 3-92
 LOC A
 DIST 66