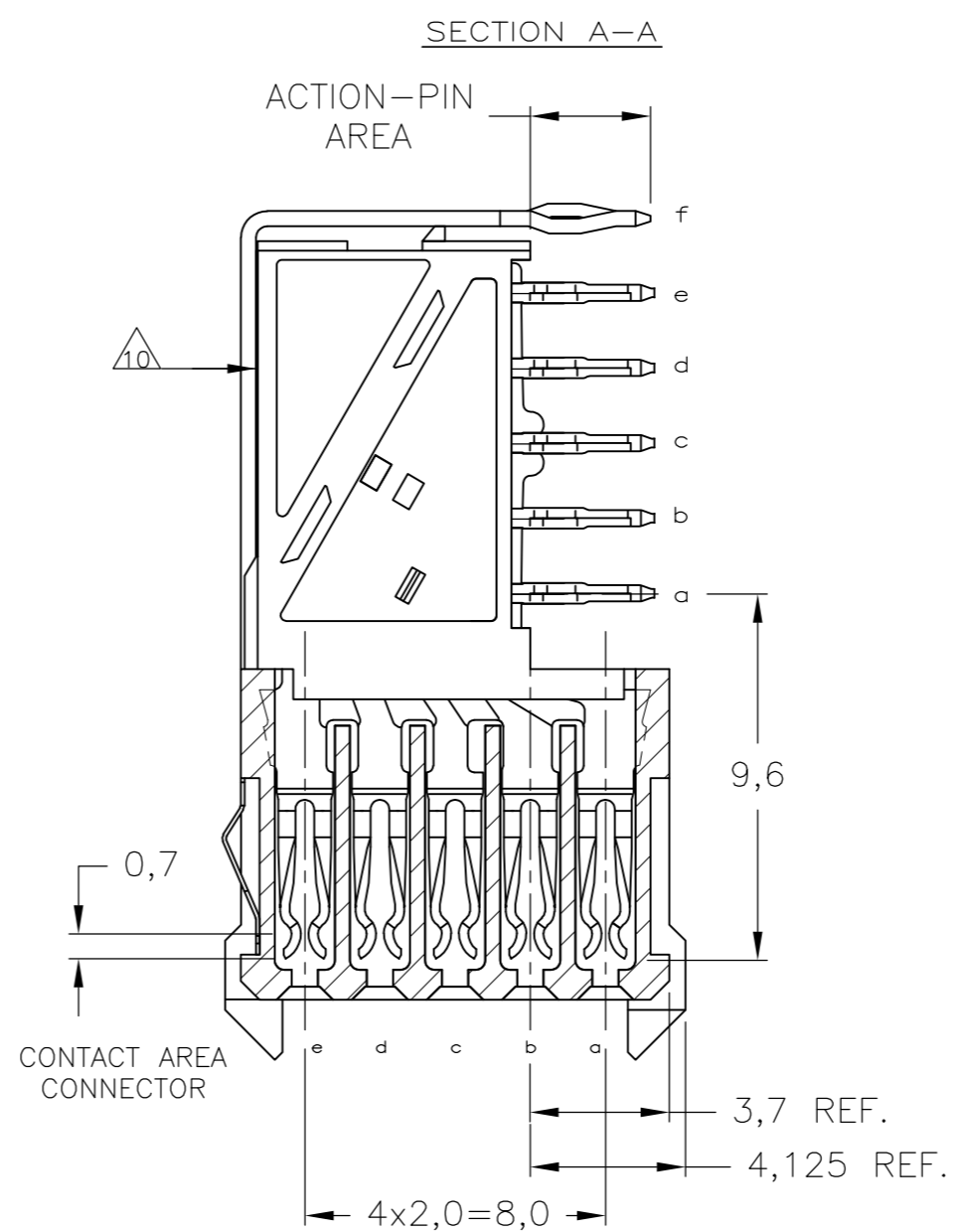
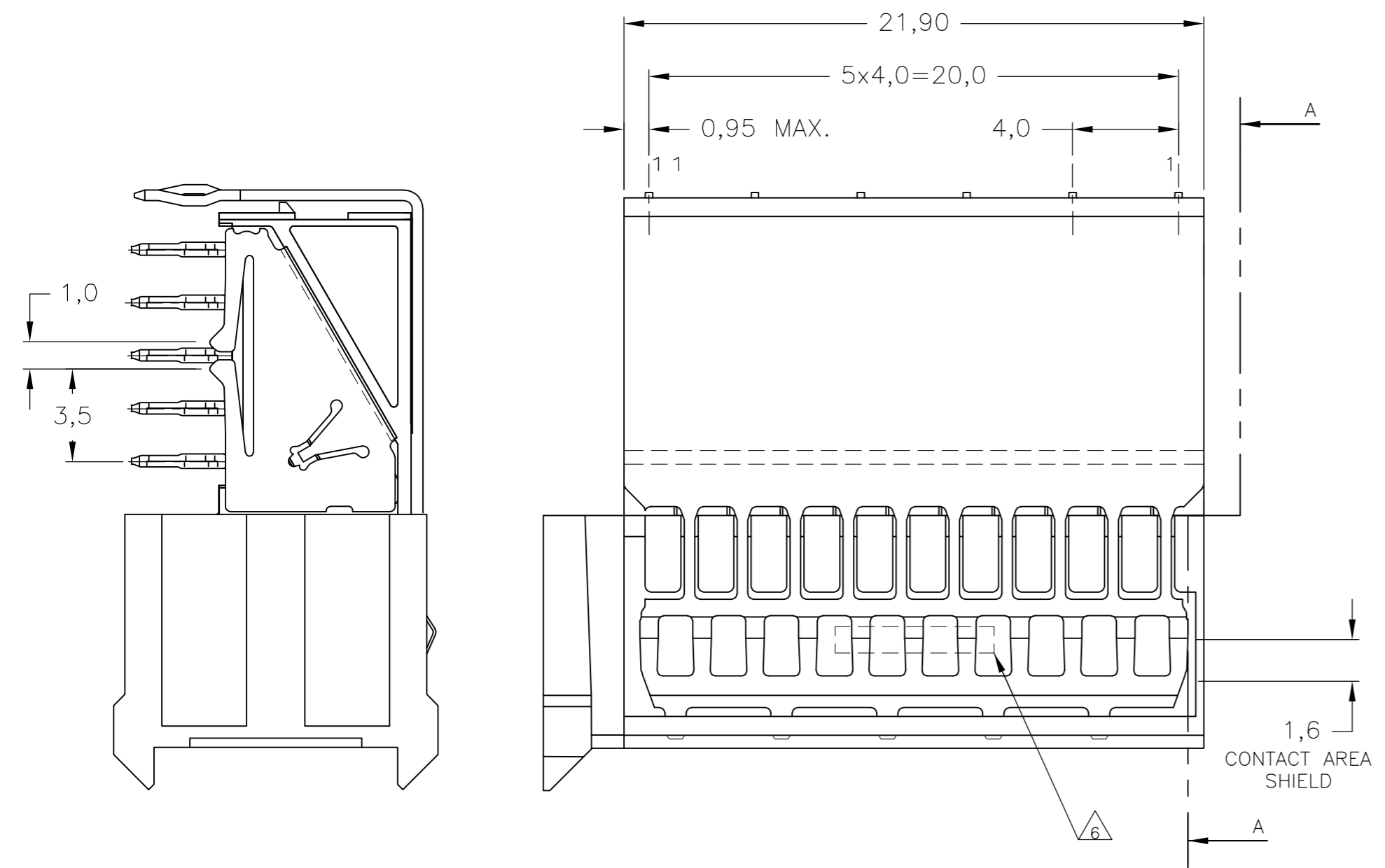
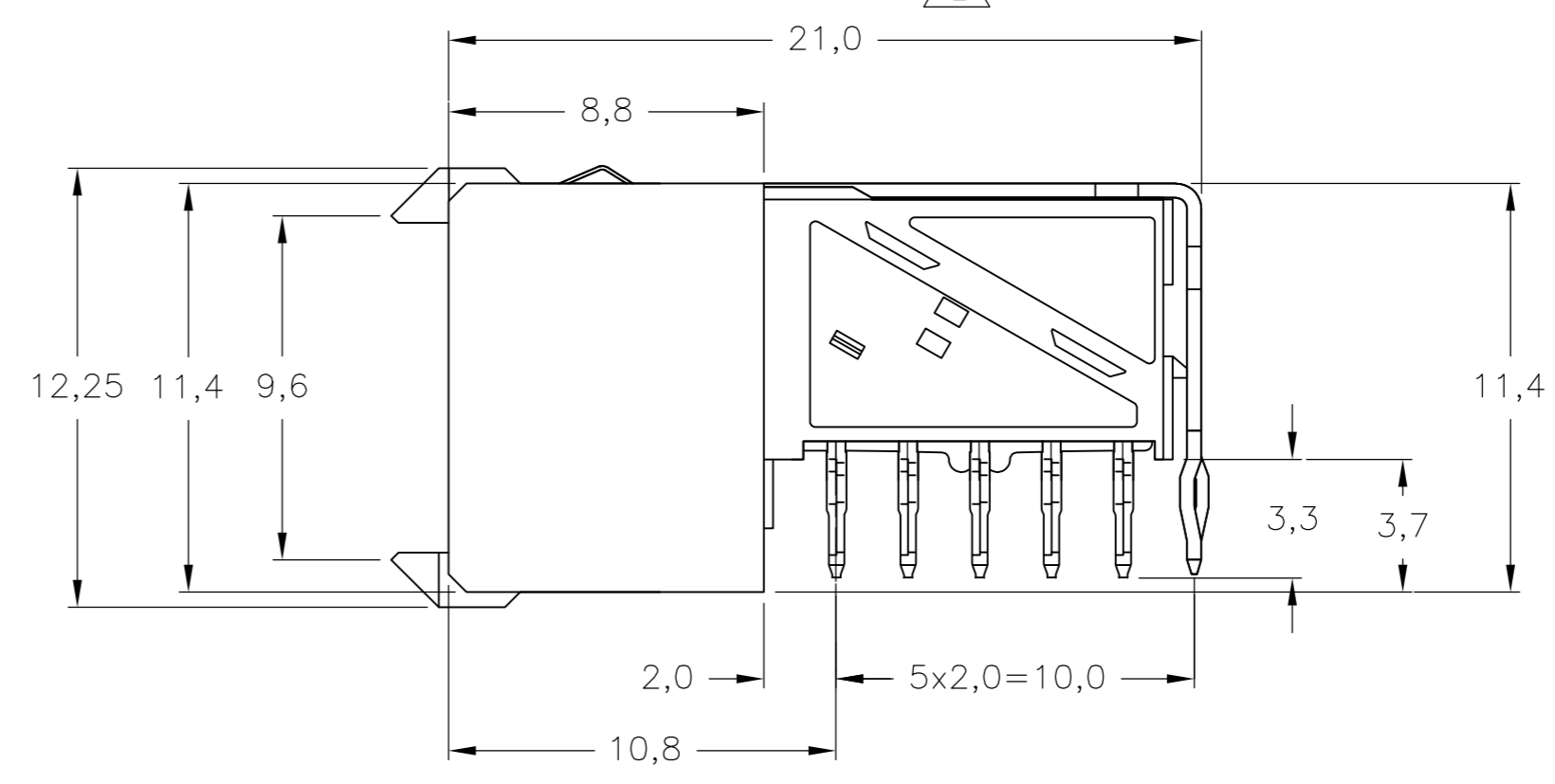
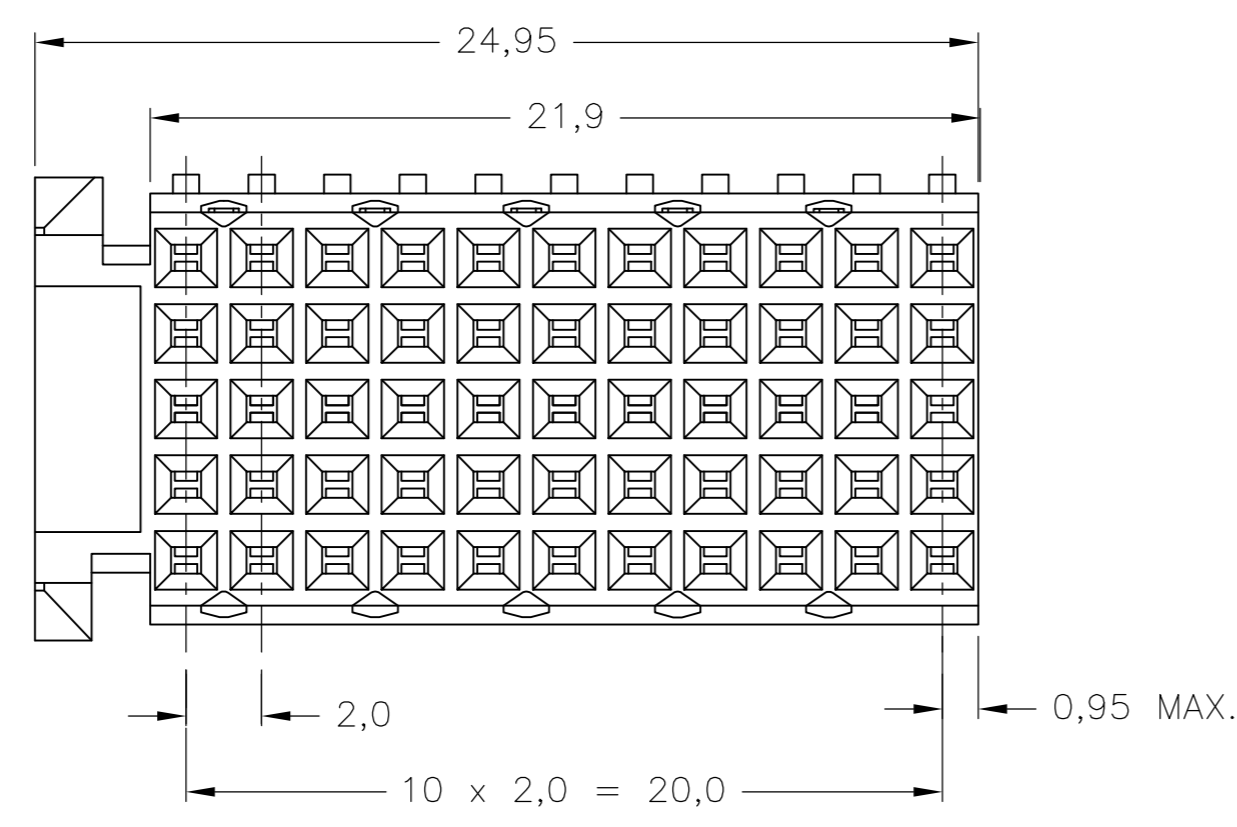


THIS DRAWING IS UNPUBLISHED. RELEASED FOR PUBLICATION  
 © COPYRIGHT BY TYCO ELECTRONICS CORPORATION. ALL RIGHTS RESERVED.

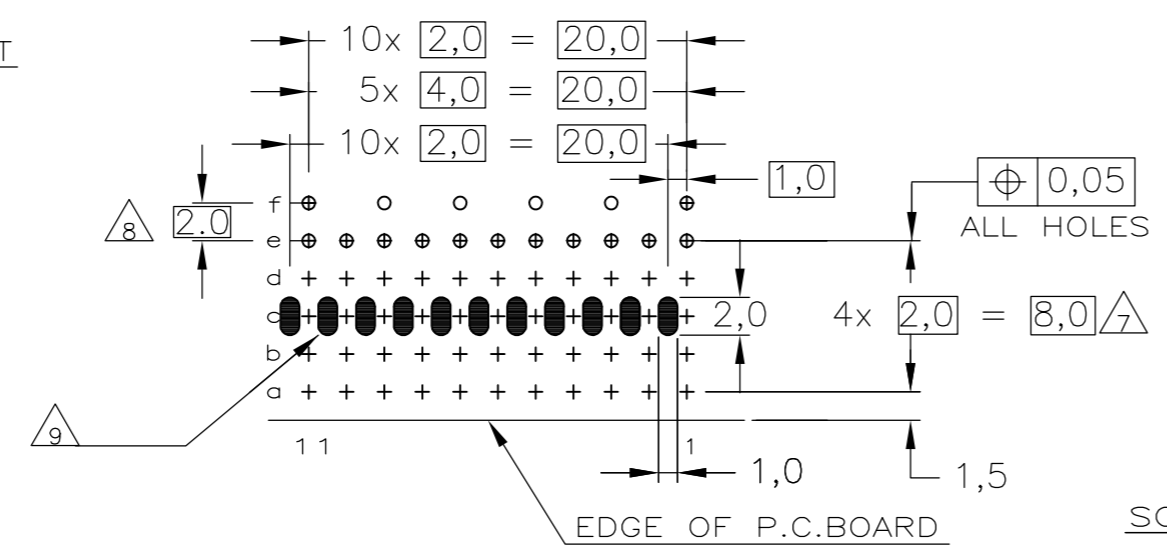
| Loc | DIST | REVISIONS |     |                           |           |     |      |
|-----|------|-----------|-----|---------------------------|-----------|-----|------|
|     |      | P         | LTR | DESCRIPTION               | DATE      | DWN | APVD |
| H   | -    | C2        |     | ECR-07-030919             | 21DEC2007 | JvH | BM   |
|     |      | C3        |     | REVISED PER ECO-10-000444 | 04NOV09   | KK  | AEG  |
|     |      | D         |     | ECR-10-018652             | 10SEP10   | SW  | MQW  |



- NOTES:
- 1 MATERIAL CONTACTS; PHOSPHORBRONZE  
MATERIAL SHIELDS ; PHOSPHORBRONZE  
MATERIAL HOUSING; GLASSFILLED POLYESTER (GRAY)
  - 2 GENERAL CONTACT PLATING SPECIFICATION: UNDERPLATING (ENTIRE CONTACT):1,27µm NICKEL MIN. AND ACTION PIN: 0,5µm TIN MIN.  
FOR PLATING OF MATING SURFACES SEE APPLICABLE SPECIFICATION REFERENCE FOR EACH DASH NUMBER.
  - 3 CONFORMS TO ALL TESTING ACCORDING IEC 61076-4-101 PERFORMANCE LEVEL 2.
  - 4 CONFORMS TO ALL TESTING ACCORDING IEC 61076-4-101 PERFORMANCE LEVEL 1.
  - 5 PLATING SHIELDS :  
GROUND RETURN SHIELD:  
CONTACT AREA : 0,76µm Au MIN.  
ACTION PIN : 0,5µm Sn MIN.  
REMAINDER : Ni  
REDUCED CROSS-TALK SHIELD: GOLD FLASH OVER 1,27 µm NICKEL MIN.
  - 6 ASSEMBLY PRINTED WITH P/N AND DATECODE  
THE MARKING CAN APPEAR ON THE FRONT SIDE OR ON THE BACK SIDE.
  - 7 HOLE PATTERN FOR FEMALE CONNECTOR TYPE C  
55 PLATED-THROUGH HOLES AT 2x2mm SQUARE GRID
  - 8 ROW "f" 6 PLATED THROUGH HOLES FOR UPPERSHIELD
  - 9 PLATED SPOT ONLY ON COMPONENT SIDE.  
FORMING ONE CONTACT WITH PLATED THROUGH HOLES OF ROW C.
  - 10 SHIELD MOUNTED ON CONNECTOR WITH DOUBLE SIDED ADHESIVE TAPE OR ADHESIVE
  - 11 FITS WITH LOWERSHIELD, BASIC PARTNUMBER : 5352112.
  - 12 OBSOLETE PARTS: OBSOLETE CIS STREAMLINING PER D.RENAUD/D.SINISI



RECOMMENDED P.C.B. HOLE LAY-OUT  
COMPONENT SIDE AS SHOWN



P.C.B. HOLE DIM. ACTION PIN  
FOR DETAILS SEE  
APPLICATION SPECIFICATION

SCALE 2,5:1

|  |  |                               |  |                    |
|--|--|-------------------------------|--|--------------------|
| THIS DRAWING IS A CONTROLLED DOCUMENT.   |  | DWN<br>K.N.KIRAN<br>24AUG2004 | Tyco Electronics Corporation<br>'s-Hertogenbosch,5222AR-32                             |                    |
| DIMENSIONS:<br>mm  |  | CHK<br>B.MOOIJ<br>22MAR2005   | NAME<br>Z-PACK 2mm HM<br>TYPE C PRE-SHIELDED RECEPTACLE<br>WITH RED.CROSS-TALK SHIELDS |                    |
| TOLERANCES UNLESS OTHERWISE SPECIFIED:<br>6-PLC ±<br>1-PLC ±<br>2-PLC ± ±0.2<br>3-PLC ±<br>4-PLC ±<br>ANGLES ±<br>FINISH |  | APVD<br>B.MOOIJ<br>22MAR2005  | PRODUCT SPEC<br>108-19082<br>APPLICATION SPEC<br>114-19029                             |                    |
| MATERIAL   |  | WEIGHT                        | SIZE<br>A2   | CAGE CODE<br>00779 |
| -  |  | -                             | DRAWING NO<br>C=5352346  |                    |
| -  |  | CUSTOMER DRAWING              |  | RESTRICTED TO<br>- |
| -  |  | SCALE<br>5:1                  |  | SHEET<br>1 OF 1    |
| -  |  | REV<br>D                      |  |                    |