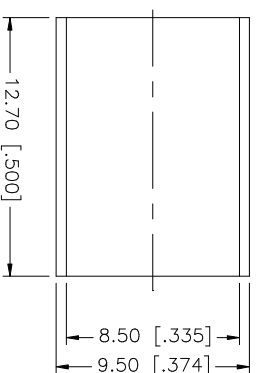
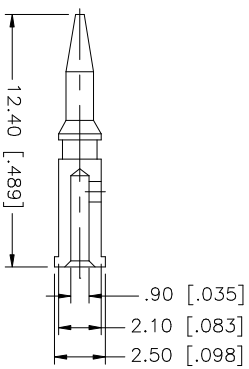
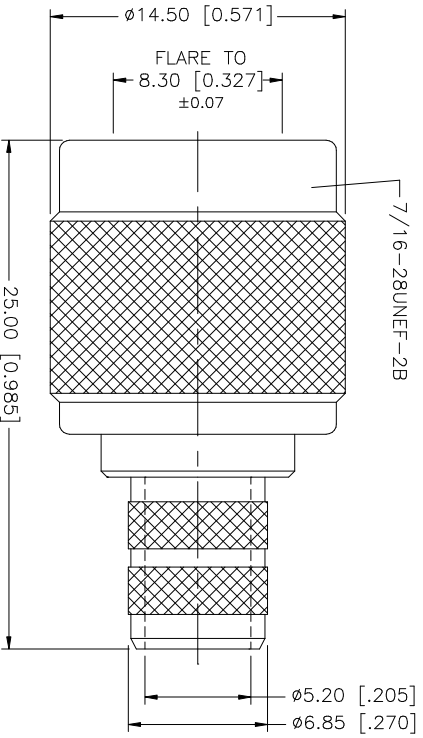
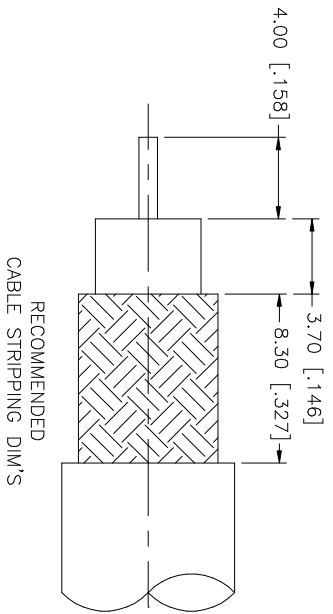


REV.	DATE	DESCRIPTION
NC	04/15/97	INITIAL RELEASE
A	04/20/06	UPDATE DRAWING FORMAT



8	DESCRIPTION	MATERIAL	FINISH	QTY	UNLESS OTHERWISE SPECIFIED DIMENSIONS ARE IN MILLIMETERS. DIMENSIONS IN [] ARE IN INCHES AND FOR SUBSTITUTED RESERVE DIM'S. TOLERANCES FOR MILLIMETERS ARE: 0.5 - 8mm ± 0.20mm 8 - 30mm ± 0.40mm 30 - 120mm ± 0.50mm UNLESS OTHERWISE SPECIFIED TOLERANCES FOR INCHES ARE: .020 - .315 = ± 0.007" .315 - 1.180 = ± 0.015" 1.180 - 4.724 = ± 0.020"	APPROVALS	DATE	PART DESCRIPTION			
7						DRAWN	G.R.S.	04/20/06	<p style="text-align: center;">Amphenol Connex</p> <p style="text-align: center;">TNC CRIMP PLUG (FOR BELDIN 82B1 - 75ohm)</p>		
6						CHECKED					
5						ISSUED					
4	FERRULE	BRASS	NICKEL	1		SHEET	1 OF 1				
3	CONTACT PIN	BRASS	GOLD	1							
2	INSULATOR	DELFIN	NATURAL	1					PART NO. 122391		
1	BODY	BRASS	NICKEL	1					DWG. NO. 122391.DWG		
	DESCRIPTION	MATERIAL	FINISH	QTY	DO NOT SCALE DRAWING	CAD FILE	C:/122/1122391.DWG		REV. A	SIZE A	SCALE NA