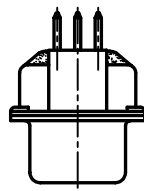
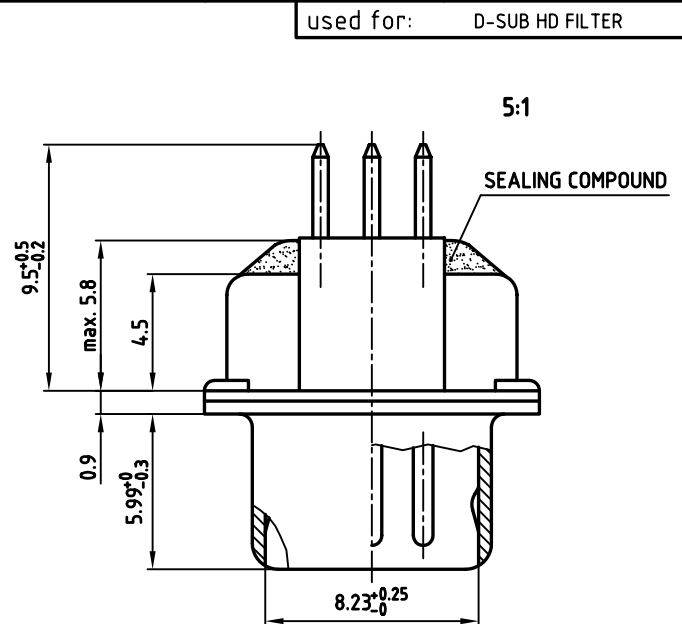
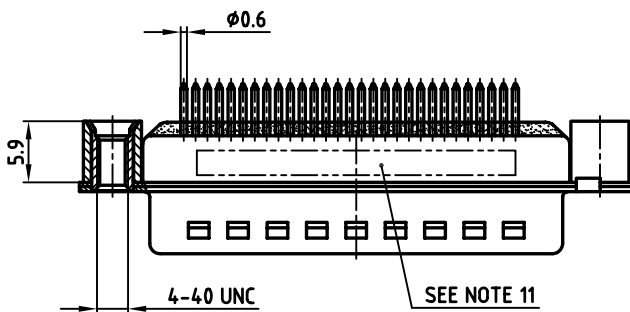
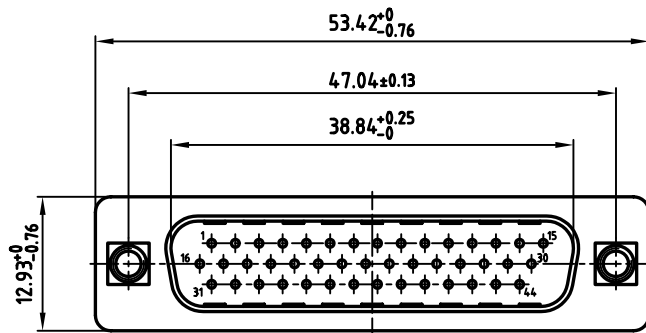


P.C.B. HOLE DRILLINGS



NOTES:

1. RoHS COMPLIANT
2. SUITABLE FOR WAVESOLDERING
3. METALSHELLS: STEEL; min. 315µ" TIN over 40-80µ" NICKEL
4. INSULATORS: HIGH TEMPERATURE PLASTIC UL 94 V-0, BLACK
5. CONTACTS: COPPER ALLOY
PLATING MATING AREA: 8µ" HARD GOLD OVER min. 50µ" NICKEL
CONTACT TAILS PRETINNED
6. THREADED REAR SPACER: COPPER ALLOY; min. 200µ" TIN over 80µ" NICKEL
7. SLEEVE: COPPER ALLOY; min. 200µ" TIN over 80µ" NICKEL
8. CAPACITANCE: SEE TABLE
9. DIELECTRIC WITHSTANDING VOLTAGE: 300V DC
10. MAXIMUM TORQUE VALUE FOR THREAD: 6 in.LB
11. CONNECTOR IS PART MARKED: PART-NO. CONEC ABC

| CAPACITANCE | PART NO. |
|-------------|-------------------|
| 180pF ±20% | 241A27620X |
| 370pF ±20% | 241A16640X |
| 830pF ±20% | 241A16680X |



APPROVAL # FREIGABE # DEBLOCAGE # AUTORIZACION # APPROVAL

CUSTOMER APPROVAL DATE:

NAME: TITLE:

COMPANY NAME:

APPROVAL # FREIGABE # DEBLOCAGE # AUTORIZACION # APPROVAL

THIS DRAWING MAY NOT BE COPIED OR REPRODUCED IN ANY WAY, AND MAY NOT BE PASSED ON TO A THIRD PARTY, WITHOUT WRITTEN PERMISSION. OWNERSHIP AND COPYRIGHT OF CONEC GmbH. DO NOT ALTER CAD DRAWING BY HAND

| rev. | description | date | name |
|-------|-------------|------------|--------|
| 1 x b | Ä 2521 | 09.06.2006 | Lehmen |
| a | Origin | | |

| | | | |
|-----------|--|-----------|-----------|
| tolerance | dim. in mm | scale: | 2:1 (5:1) |
| material: | SEE NOTES | material: | SEE NOTES |
| title: | D-SUB HD FILTER MALE 44pos. SOLDER PIN STRAIGHT with threaded rear spacer | | |
| dwg no: | AutoCAD 2006 | DIN-A | 3 |
| part no: | 24K1A460 | sh: | 1/1 |
| part no: | SEE TABLE | | |

