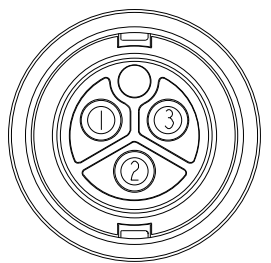
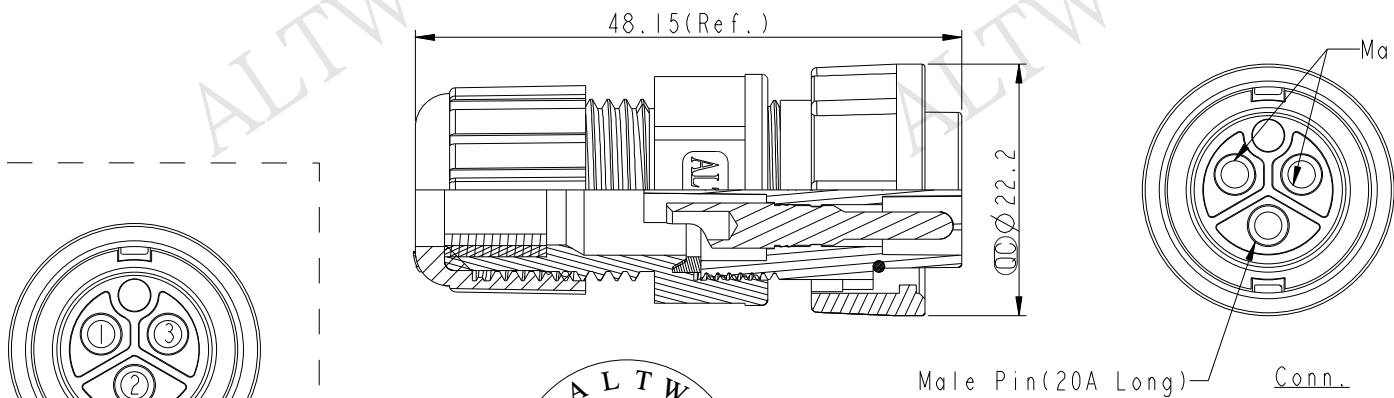
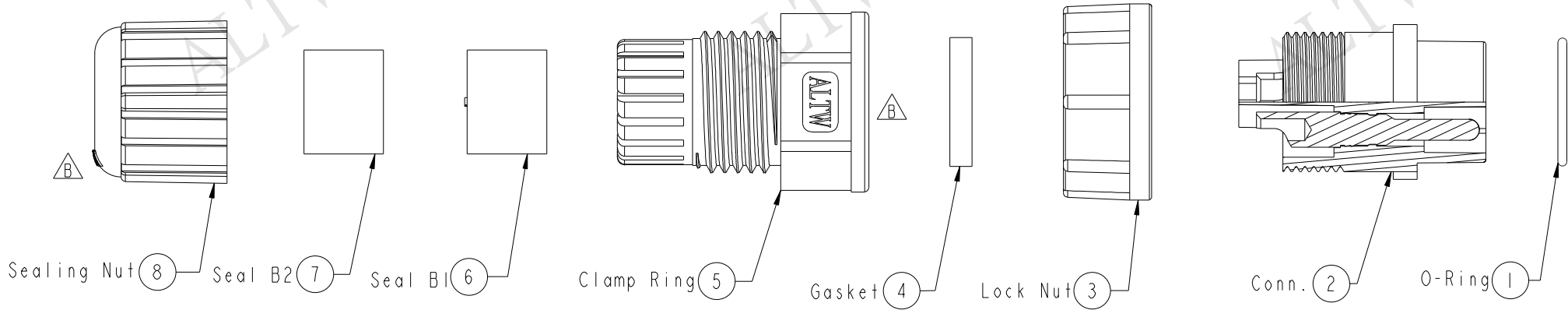


REV.	ECN NO.	DATE	SIGN	DESCRIPTION
A	Initial Release	2010/08/10	Aric	Change Rev.01 To Rev.A
B	LEN1490383	2014/09/20	Lu Di	Update Logo



Pin Assignments  
Front View

**ALTW**  
CONFIDENTIAL  
2014-09-20  
R&D DEPT.

**ALTW**  
DCC. DEPT.  
CONFIDENTIAL  
2014.09.24  
ISSUED

- Notes:
- \*  $\varnothing$  Important Dimensions To Check.
  - \* Waterproof Rate: IP67.
  - \* Housing: Nylon+GF, Black.
  - \* Male Pin: Copper Alloy, Gold Plated.
  - \* O-Ring: Silicone, Gray.
  - \* Lock Nut: Nylon+GF, Black.
  - \* Gasket: Silicone, Gray.
  - \* Clamp Ring: Nylon, Black.
  - \* Sealing Nut: Nylon, Black.
  - \* Seal B1 For Cable OD:  $\varnothing$ 7.6mm~9.6mm.
  - \* Seal B2 For Cable OD:  $\varnothing$ 4.0mm~7.6mm.
  - \* One Set Unassembled In One PE Bag.
  - \* UL94V-0 rated materials.

UNIT:mm  TOLERANCE .X ±0.25 .XX ±0.1 .XXX ±0.05 ANGLES ±1°	TITLE Power, Assy Lock 3Pins F Conn. M Pin 20Amps			<b>Amphenol LTW</b> 安費諾亮泰企業股份有限公司		ITEM NO PWC-03BFMA-LL7002	DRAWN BY Lu Di	DATE 2014/09/20
	SCALE 3:2	SIZE A4	SHEET 1 OF 1			DWG NO PWC-03BFMA-LL7002	CHECKED BY Mafei	DATE 2014/09/20
	REV. B	WC-REV. A.4	QC: Inspection item	CUSTOMER ALTW	APPROVED BY Jerry	DATE 2014/09/20		
								8 FMM10702-01-02A1

THIS DOCUMENT IS SUBJECT TO CHANGE WITHOUT NOTICE. IT IS CONFIDENTIAL AND A PROPERTY OF Amphenol LTW. DISCLOSURE TO THIRD PARTY HAS TO BE AUTHORIZED BY Amphenol LTW.