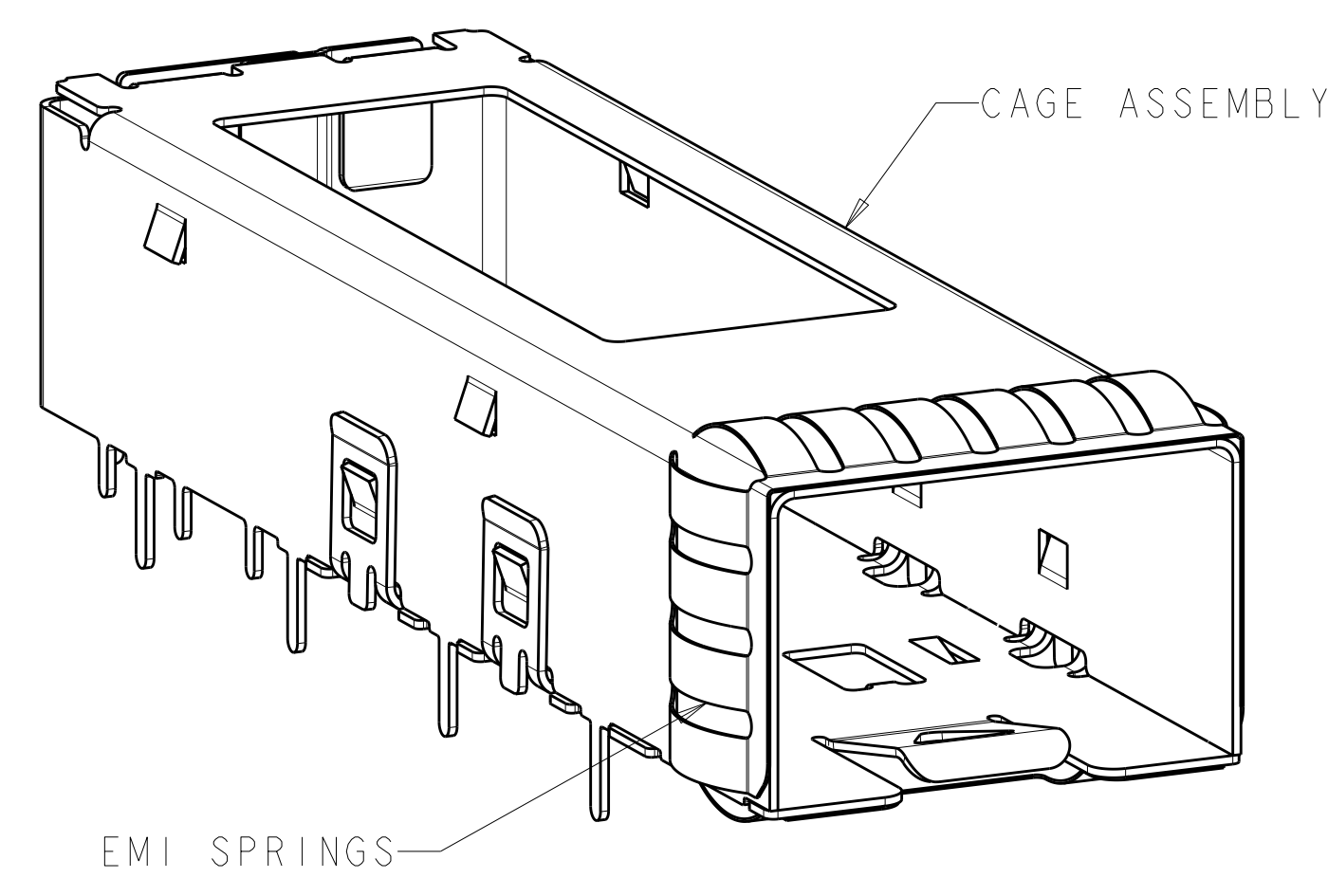
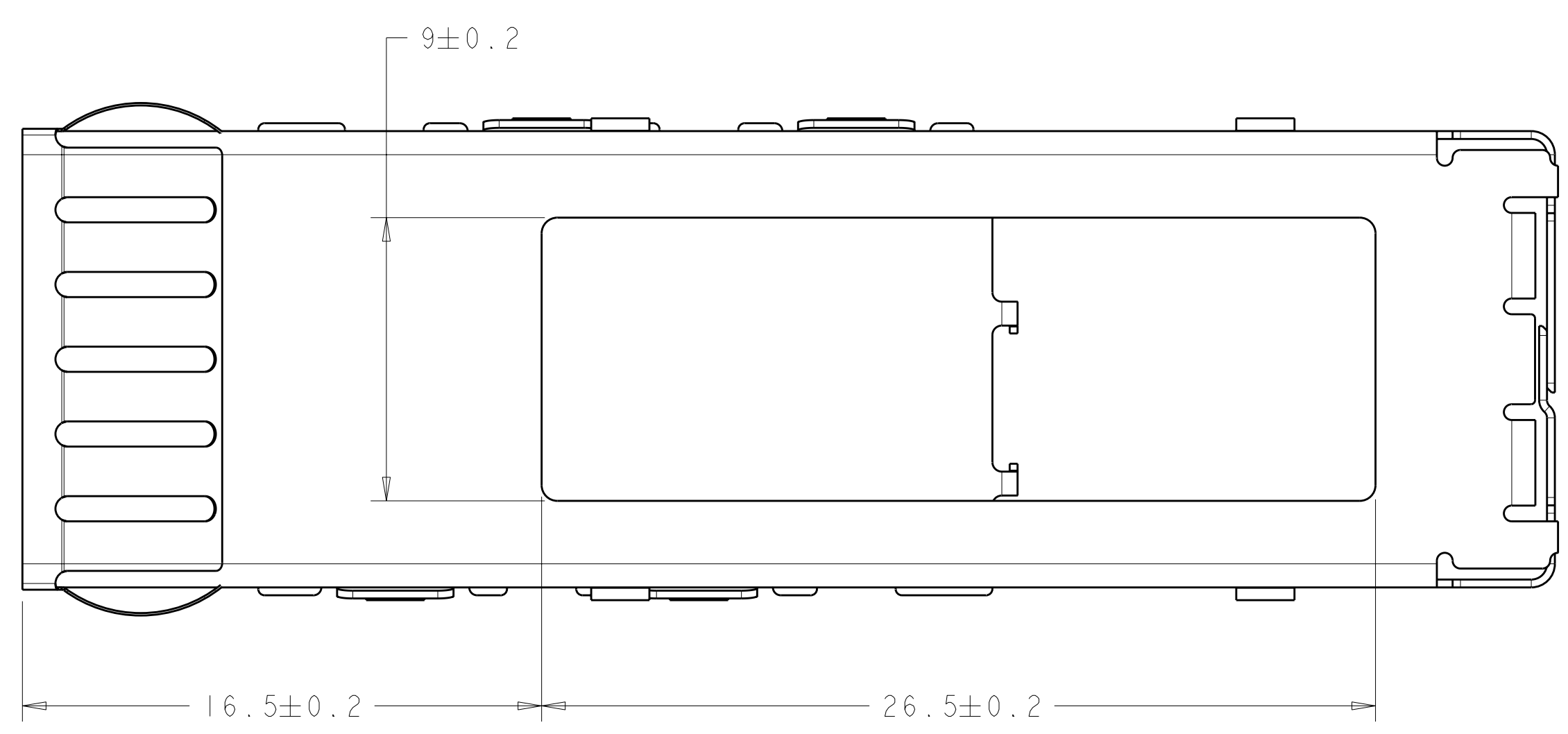


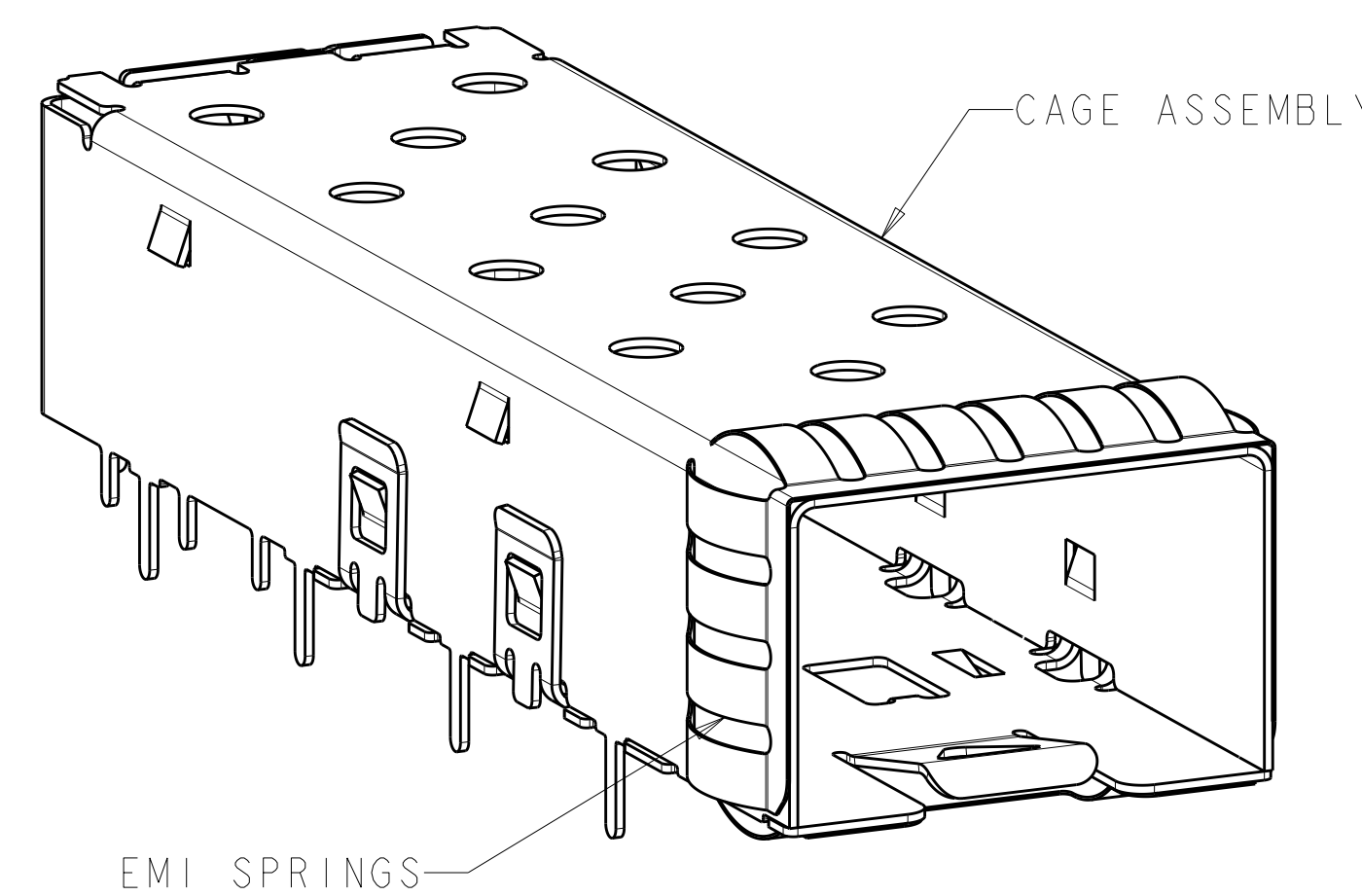
LOC	DIST	REV	DATE	BY	CHKD	APPD
GP	00					
		C1	11MAR2011	RK	HMR	
		D	05JAN2012	TX	AC	



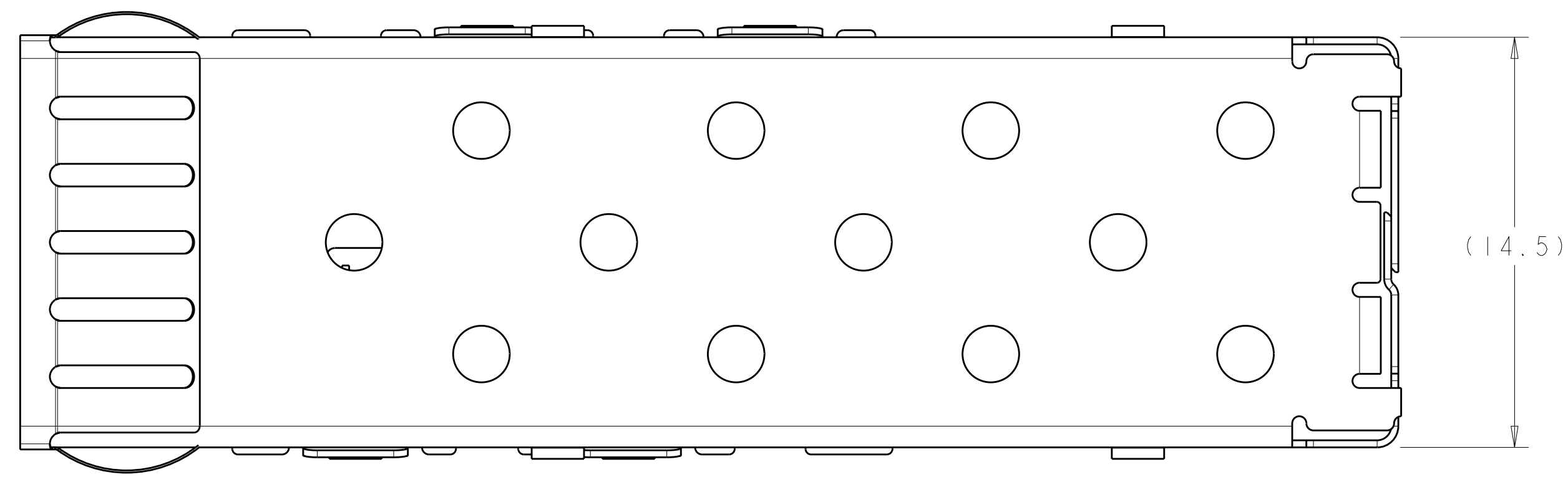
2007194-2
SCALE 5:1



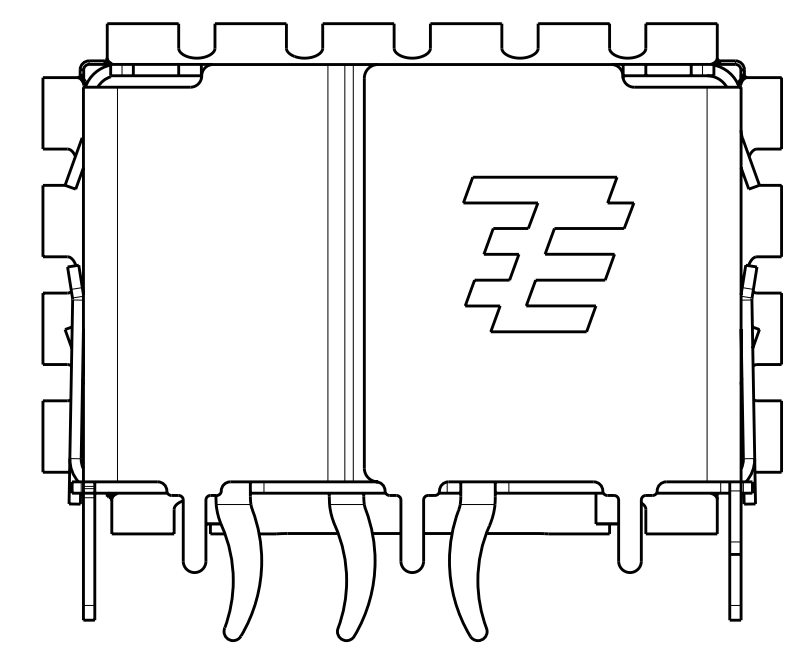
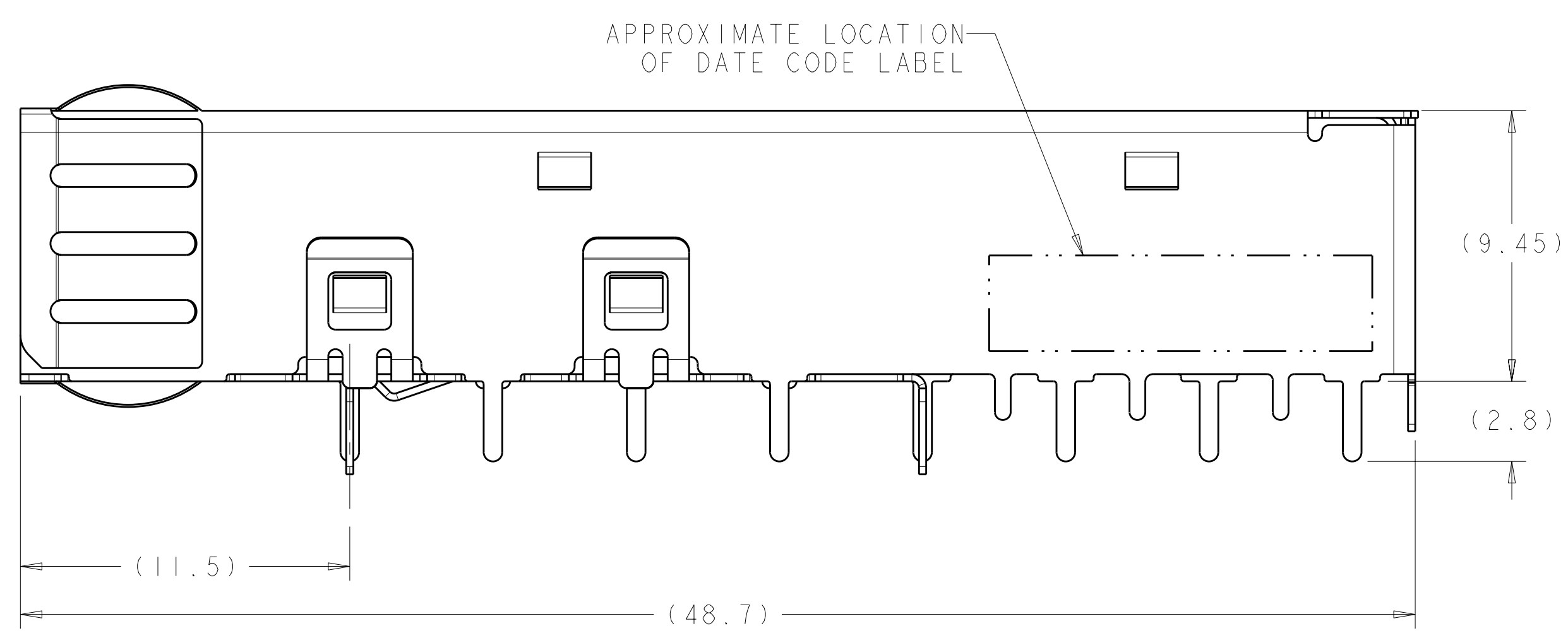
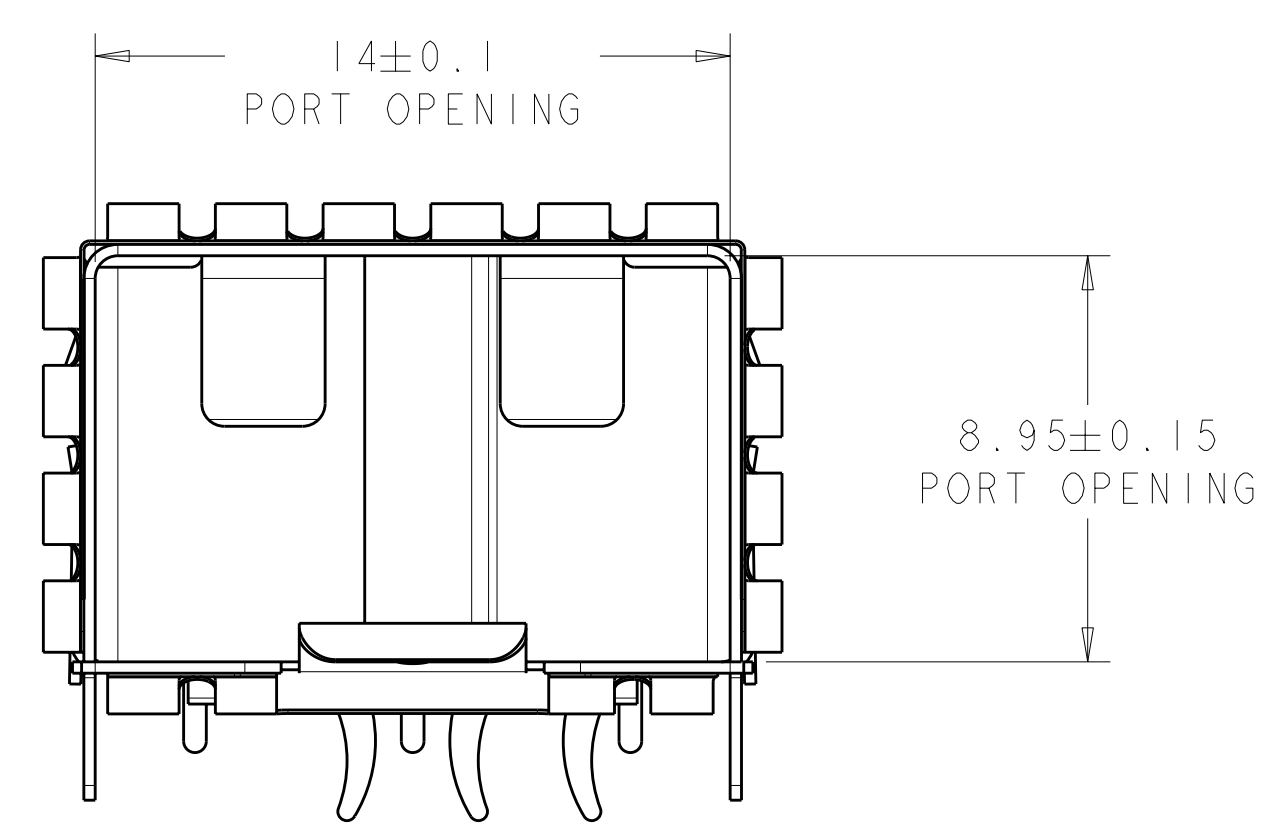
2007194-2
SAME AS 2007194-1 EXCEPT AS SHOWN
TOP VIEW



2007194-1
SCALE 5:1



2007194-1
TOP VIEW

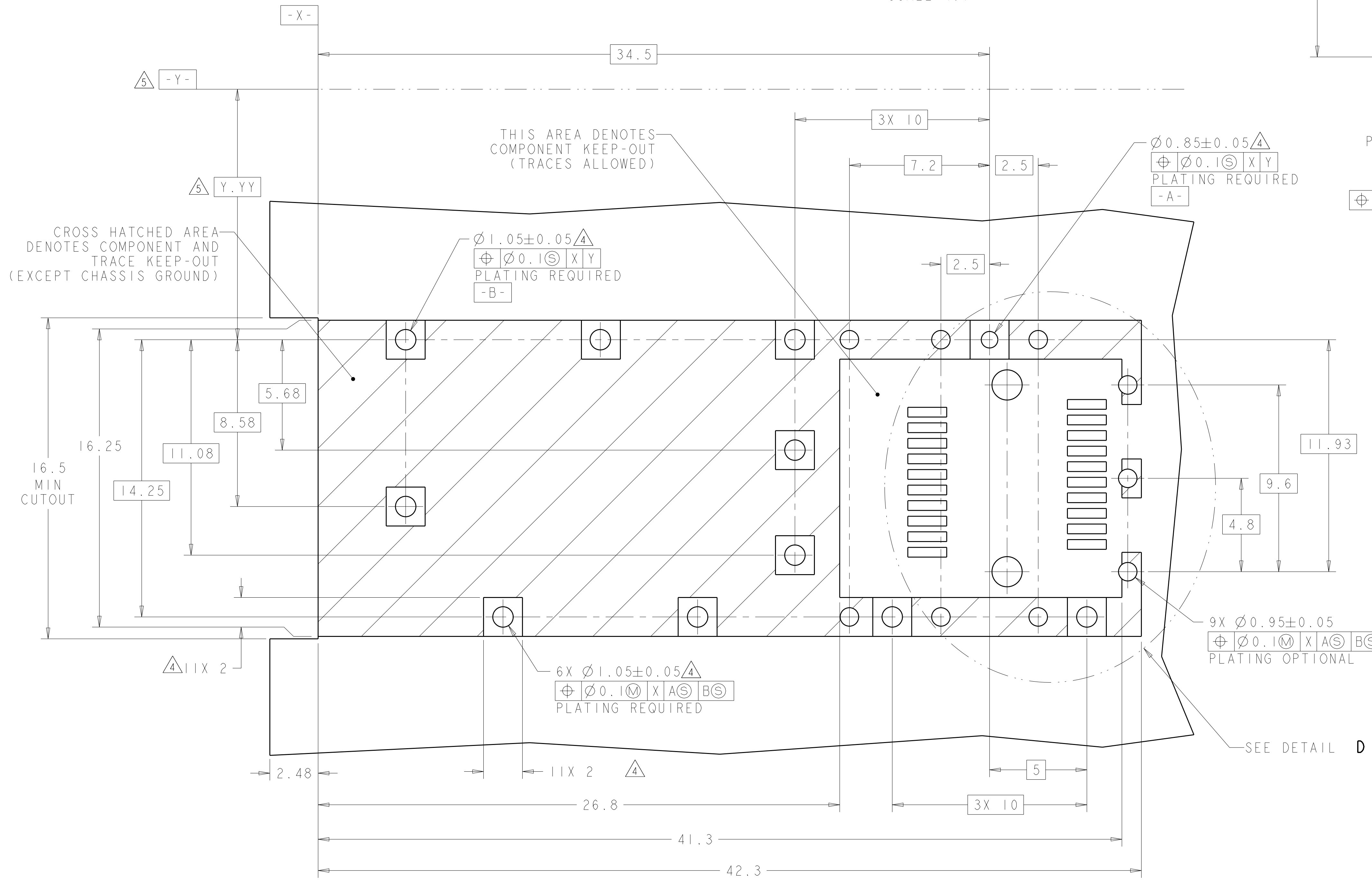
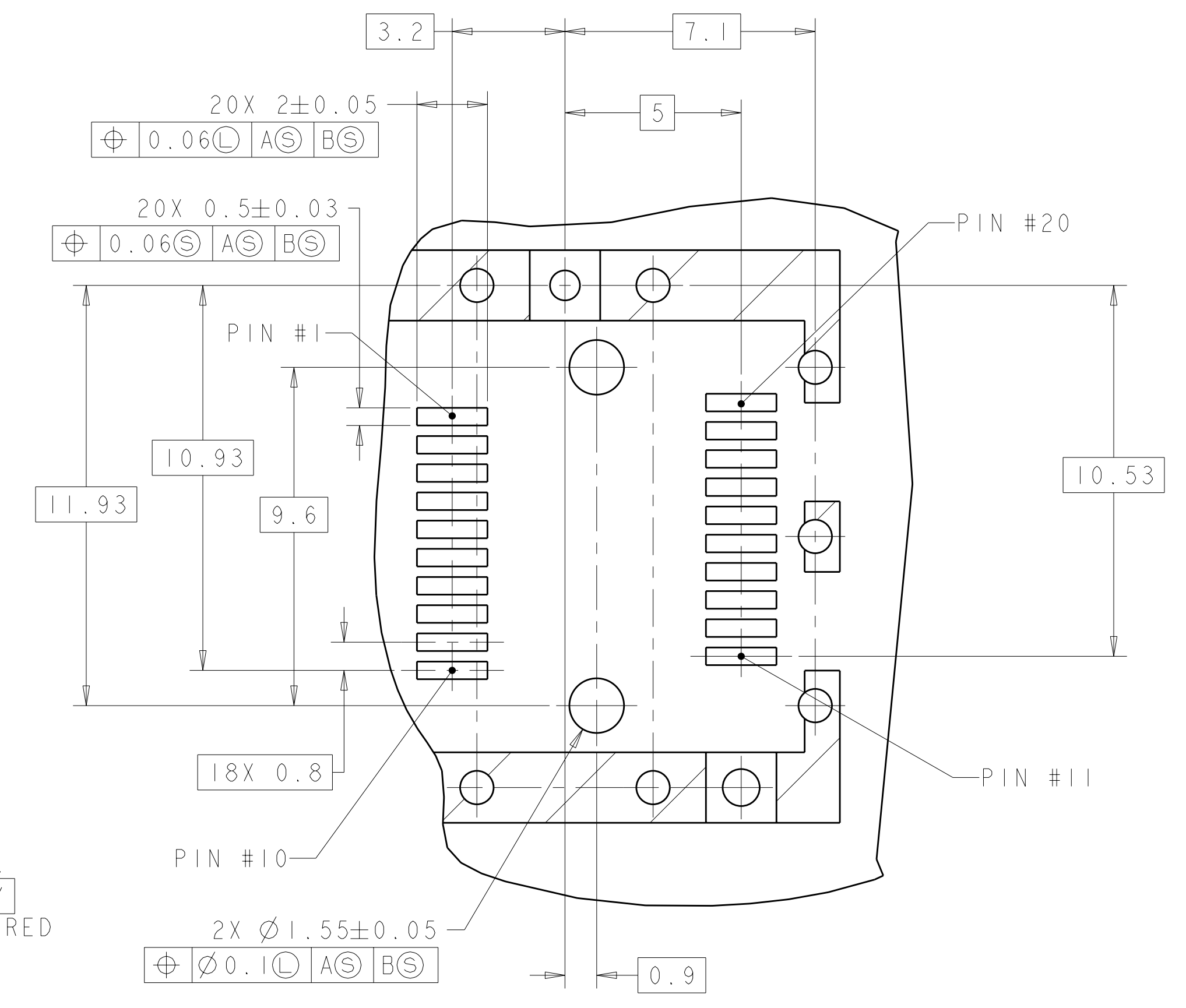
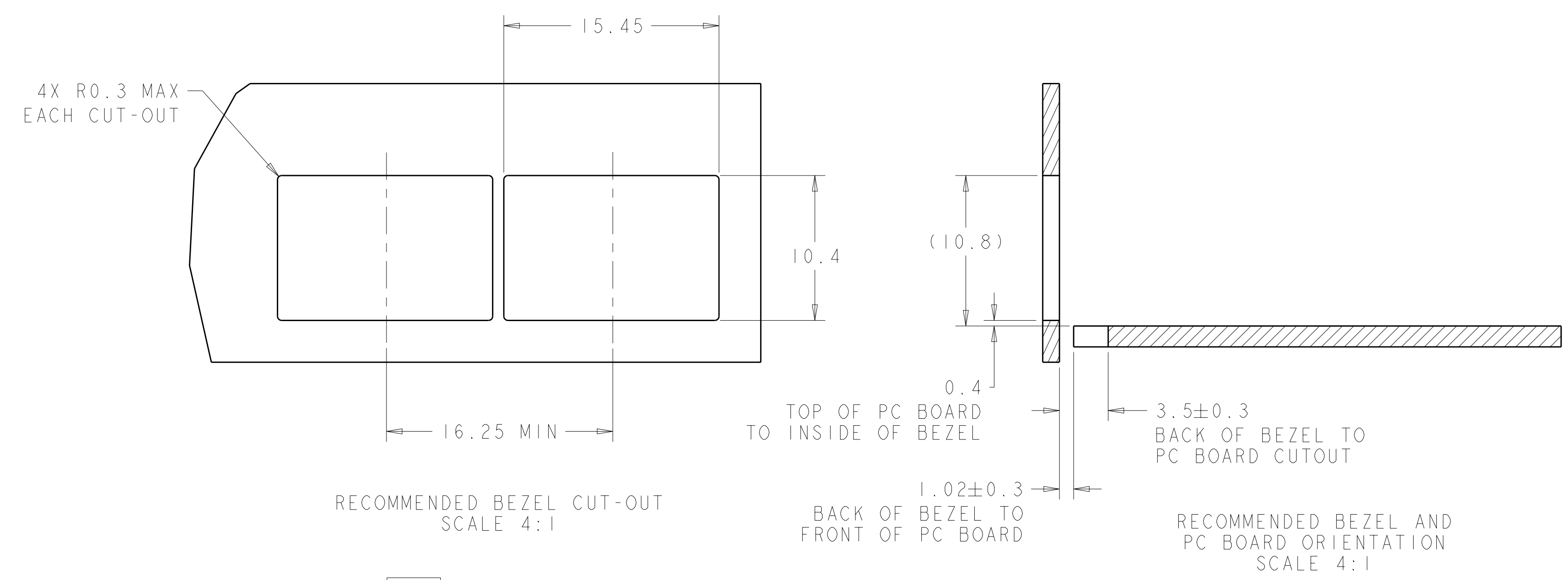


HEATSINK OPENING	2007194-2
EMI HOLES	2007194-1
DESCRIPTION	PART NUMBER

- 1 MATERIAL:
CAGE ASSEMBLY - 0.25mm THICK NICKEL-SILVER ALLOY.
EMI SPRINGS - COPPER ALLOY.
- 2 FINISH:
EMI SPRINGS - 0.8um MIN MATTE TIN OVER 0.8um MIN NICKEL
NON PLATED EDGES PERMISSIBLE.
- 3. MATES WITH SFP MSA COMPLIANT TRANSCEIVERS.
- 4 PADS AND VIAS CHASSIS GROUND.
- 5 DATUMS AND BASIC DIMENSIONS ESTABLISHED BY CUSTOMER.
- 6. MINIMUM PC BOARD THICKNESS:
SINGLE SIDED = 1.50mm.
- 7. NOTE DELETED

THIS DRAWING IS A CONTROLLED DOCUMENT.		OWN	Z. M. BEAM	10JUL2007
DIMENSIONS:		CHKD	M. R. SCHMITT	10JUL2007
mm		APPD	R. H. WERTZ	10JUL2007
TOLERANCES UNLESS OTHERWISE SPECIFIED:		PRODUCT SPEC	NAME	
0 PLC	±0.1	108-2364	SFP+ 1X1 CAGE ASSEMBLY, PCI, SOLDER TAILS, EXTERNAL EMI SPRINGS	
1 PLC	±0.1	APPLICATION SPEC	SIZE	CAGE CODE
2 PLC	±0.1	114-13120	A100779	C=2007194
3 PLC	±0.1	WEIGHT	RESTRICTED TO	
4 PLC	±0.05	CUSTOMER DRAWING	SCALE 6:1 SHEET 1 OF 2 REV D	
ANGLES	±0.05			

LOC	DIST	REV	DATE	BY	APPD
GP	00				



THIS DRAWING IS A CONTROLLED DOCUMENT.		OWN Z. M. BEAM	10JUL2007	 TE Connectivity
DIMENSIONS: mm		CHK M. R. SCHMITT	10JUL2007	
TOLERANCES UNLESS OTHERWISE SPECIFIED:		APPD P. H. WERTZ	10JUL2007	
9 PLC ±0.1 1 PLC ±0.1 3 PLC ±0.1 4 PLC ±0.05 ANGLES ±0.05		NAME R. H. WERTZ	NAME SFP+ IXI CAGE ASSEMBLY, PCI, SOLDER TAILS, EXTERNAL EMI SPRINGS	
MATERIAL	FINISH	PRODUCT SPEC 108-2364	APPLICATION SPEC 114-13120	SIZE A100779
CUSTOMER DRAWING		WEIGHT	SCALE 6:1	SHEET 2 OF 2