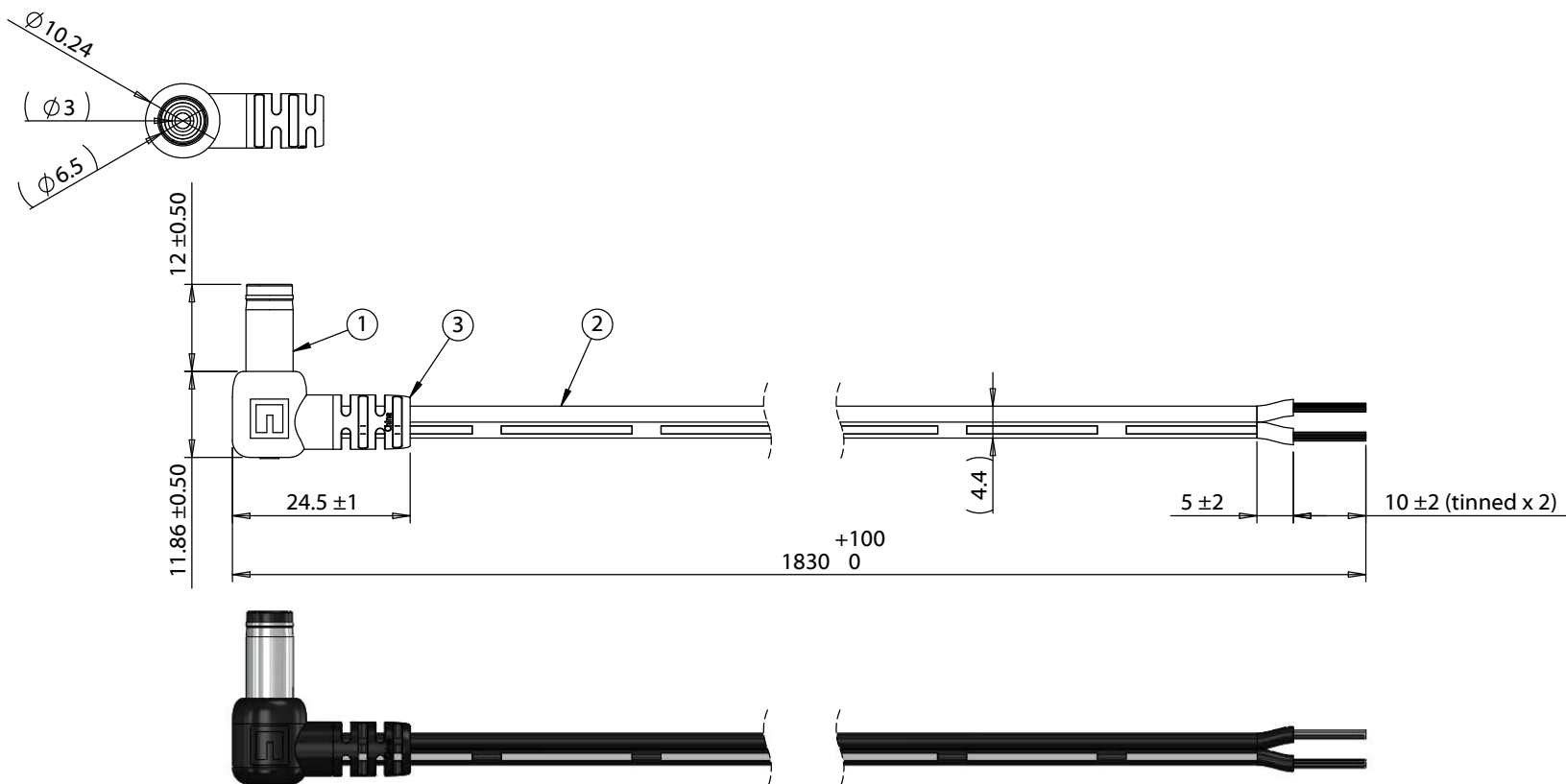



ITEM NO.	PART NUMBER	DESCRIPTION	QTY.	COMPONENT NOTES
1	50-00090	Connector, dc plug, 6.5x3.0x24 mm, molding style	1	
2	30-00395	Wire, 2C TS, 18 AWG, UL2468, 300V, 80C, 4.4 mm, VW-1, PVC, 87A	1	
3	24-00008	Overmold, PVC	1	black



Wiring Diagram	
50-00090	wire color
center	black with stripe
sleeve	black

Notes:
Functionally equivalent components may be substituted

Revision:	Date:	Description:	Prepared:	Notes: RoHS and REACH compliant	<h1>TENSILITY</h1> <p>tel 1.541.323.3228 800 877.670.7118 fax 1.541.323.4202 web tensility.com</p>
A	11/20/2017	Initial release	Verified:		
			Dimensions are in millimeters. Tolerances: X: ± 0.5 mm X.X: ± 0.3 mm X.XX: ± 0.05 mm	Description: Cable, 1830 mm, 6.5x3.0x12 mm 90° 50-00090 dc plug to 10 mm tinned, 18 AWG, UL2468, 30-00395 wire	Size: A Part number: 10-02505
					Scale: 1:1  Sheet 1 of 1

5

4

3

2

1