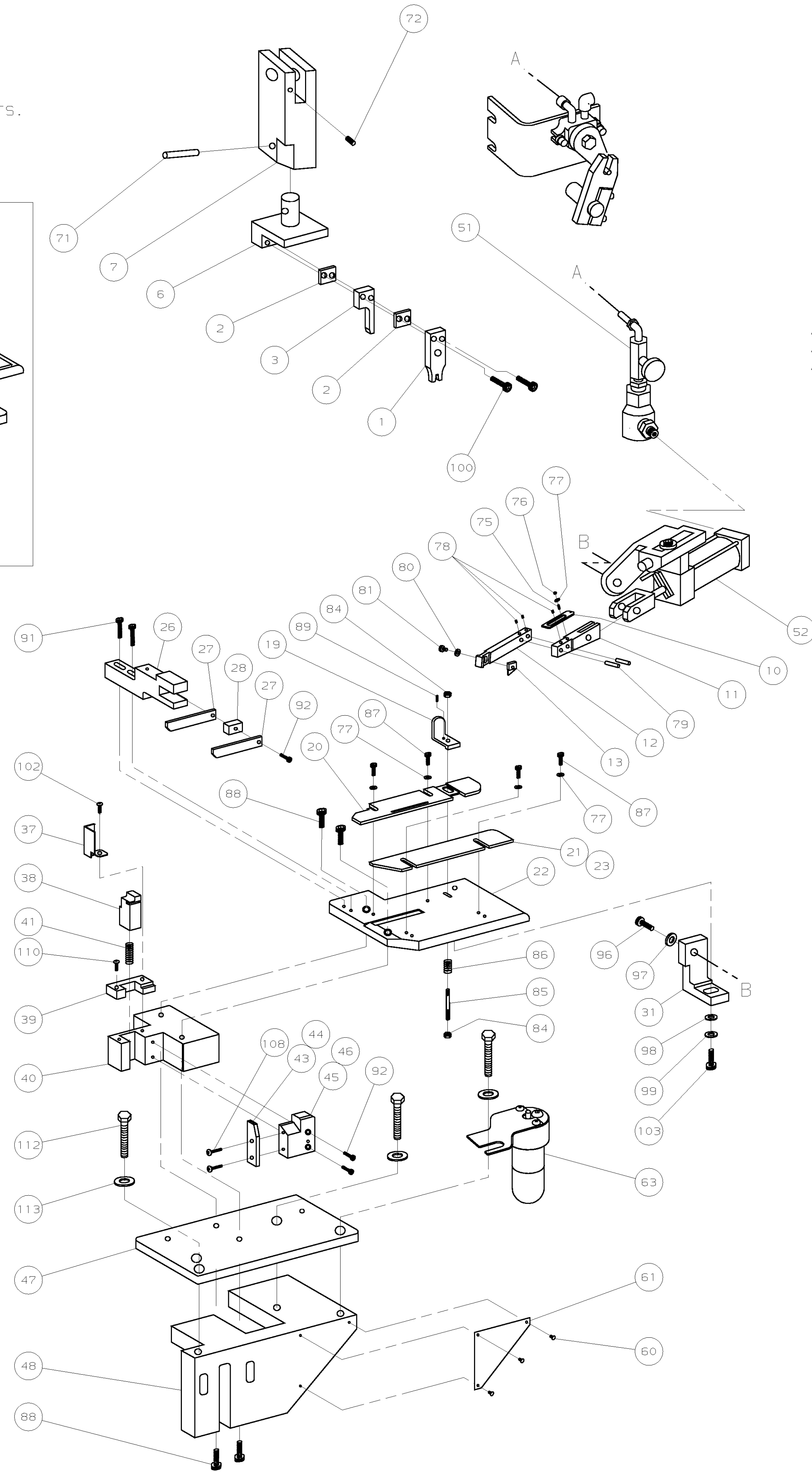
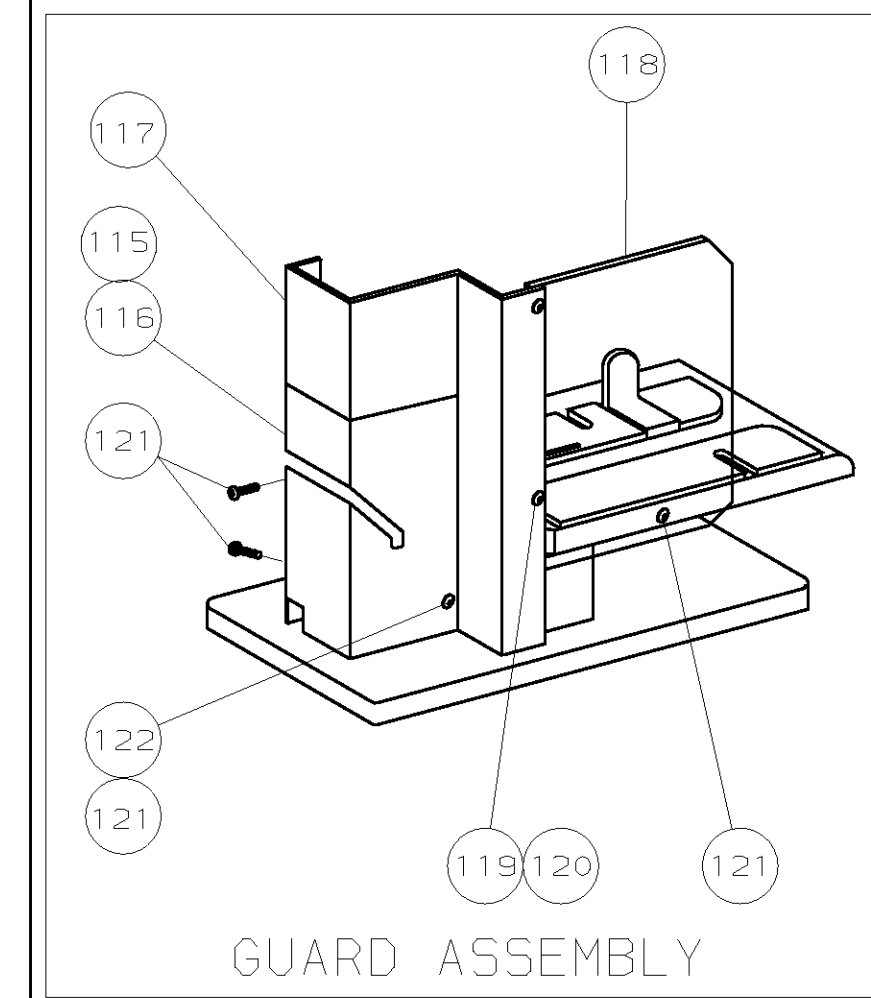


PART NUMBER	REV	FIRST USED
566377-1	G	1-471273-2
566377-2	G	1-471273-2

- 1 RECOMMENDED SPARE PARTS.
- 2 ITEMS NOT SHOWN.



TERMINAL NAME:	
AMPLIVAR SPLICE	
63564	
TERM APPL SPEC	114-2009

CRIMPING DATA			
	CRIMP HEIGHT	WIRE SIZE	
SET UP	.073	2#20 MAG	
CRIMP WIRE	.110	TYPE	RANGE
INSUL	-	F	2000-5400
FEED	.620	APPL INST	SET UP GAGE
WIRE STRIP LENGTH	-	408-8012	LAYOUT

QTY	REV	U/M	DWG SIZE	PART NO	DESCRIPTION	ITEM NO
1	1	-	B	815933-1	MOUNT, REEL BRACKET	125
1	1	-	B	461903-1	BRACKET, AIR SWITCH SHROUD	124
1	1	-	C	461904-1	SHROUD, AIR SWITCH	123
-	1	-	A	2-21002-2	BHCS, 8-32 x .50	122
6	5	-	A	2-21002-0	BHCS, 8-32 x .25	121
2	2	-	A	21018-4	NUT, 4-40	120
2	2	-	A	1-21002-3	BHCS, 4-40 x .25	119
1	1	-	B	816303-2	SIDE GUARD	118
1	1	-	D	768494-1	TOP GUARD	117
-	1	-	B	768562-1	GUARD ASSEMBLY	116
1	-	-	B	768562-4	GUARD ASSEMBLY	115
-	-	-	-	-	-	114
3	3	-	A	371178	BASE MOUNT WASHER	113
3	3	-	A	3-21015-1	SCR, HEX HD 3/8-16 X 1.00	112
-	-	-	-	-	-	111
1	2	-	A	1-21002-9	SCR, BHC 6-32 x .62	110
-	-	-	-	-	-	109
2	2	-	A	2-21002-1	SCR, BHC 8-32 X .38	108
-	-	-	-	-	-	107
-	-	-	-	-	-	106
-	-	-	-	-	-	105
-	-	-	-	-	-	104
1	1	-	A	21001-6	SCR, SHC 1/4-20 X 1.00	103
1	1	-	A	2-21002-4	SCR, BHC 8-32 X .75	102
-	-	-	-	-	-	101
2	2	-	A	21001-6	SCR, SHC 1/4-20 X 1.00	100
1	1	-	A	21024-6	WASHER, LOCK #1/4	99
1	1	-	A	21055-8	WASHER, FLAT #1/4	98
1	1	-	A	21024-8	WASHER, LOCK #3/8	97
1	1	-	A	3-21001-6	SCR, SHC 3/8-16 X 1.25	96
-	-	-	-	-	-	95
-	-	-	-	-	-	94
-	-	-	-	-	-	93
3	3	-	A	2-21000-8	SCR, SHC 8-32 X .63	92
2	2	-	A	3-21000-0	SCR, SHC 8-32 X .88	91
-	-	-	-	-	-	90
1	1	-	A	3-21008-0	SCR, SET SELF-LOC 6-32 X .32	89
4	4	-	A	21001-3	SCR, SHC 1/4-20 X .62	88
4	4	-	A	2-21000-7	SCR, SHC 8-32 X .50	87
1	1	-	A	373469	STOCK DRAG SPRING	86
1	1	-	B	370573	DRAG STUD	85
2	2	-	A	21021-4	NUT, HEX, SELF-LOC 10-32	84
-	-	-	-	-	-	83
-	-	-	-	-	-	82
1	1	-	A	2-21000-5	SCR, SHC 8-32 X .25	81
1	1	-	-	21024-4	WASHER, LOCK (#8)	80
2	2	-	A	1-21030-5	FEED FINGER PIN, DOWEL	79
3	3	-	A	3-21006-8	SCR, SET 8-32 X .25	78
5	5	-	A	21055-6	WASHER, FLAT #8	77
1	1	-	A	21018-6	NUT, JAM 8-32	76
1	1	-	A	4-21006-4	SCR, SET 8-32 X .50	75
-	-	-	-	-	-	74
-	-	-	-	-	-	73
1	1	-	A	2-21549-3	SCR, SET SELF-LOC 1/4-20 X .50	72
1	1	-	A	6-21029-9	PIN, SLOTTED SPR .312 X 1.50	71
-2	-1	U/M	DWG SIZE	PART NO	DESCRIPTION	ITEM NO
REVISION OF EACH ASSY NO (WHEN BLANK, USE DWG REVISION)						

QTY	REV	U/M	DWG SIZE	PART NO	DESCRIPTION	ITEM NO
-	-	-	-	-	-	70
-	-	-	-	-	-	69
-	-	-	-	-	-	68
-	-	-	-	-	-	67
-	-	-	-	-	-	66
-	-	-	-	-	-	65
-	-	-	-	-	-	64
1	1	-	C	465184-8	LUBRICATOR ASSY	63
-	-	-	-	-	-	62
1	1	-	B	452373-1	PLATE I.D.	61
3	3	-	A	21017-6	SCR, RH DRIVE	60
-	-	-	-	-	-	59
-	-	-	-	-	-	58
-	-	-	-	-	-	57
-	-	-	-	-	-	56
-	-	-	-	-	-	55
-	-	-	-	-	-	54
-	-	-	-	-	-	53
1	1	-	B	692653-1	AIR FEED CYLINDER SUB-ASSY	52
1	1	-	C	692655-5	AIR FEED VALVE SUB-ASSY	51
-	-	-	-	-	-	50
-	-	-	-	-	-	49
1	1	-	C	570238	BASE MOUNT	48
1	1	-	B	465317-1	BASE PLATE	47
1	-	-	B	314893-5	ANVIL HOLDER	46
-	1	-	B	314893-4	ANVIL HOLDER	45
-	1	-	C	852993-3	ANVIL	44
1	-	-	C	852993-4	ANVIL	43
-	-	-	-	-	-	42
1	1	-	A	387083	SHEAR SPRING	41
1	1	-	B	314835-1	BASE BLOCK	40
1	1	-	B	314892-1	SHEAR, PLATE	39
1	1	-	B	314891-1	SHEAR, FLOATING	38
1	1	-	B	314897-1	SHEAR, DEFLECTOR	37
-	-	-	-	-	-	36
-	-	-	-	-	-	35
-	-	-	-	-	-	34
-	-	-	-	-	-	33
-	-	-	-	-	-	32
1	1	-	B	815872-1	BRACKET, FEED MOUNTING	31
-	-	-	-	-	-	30
-	-	-	-	-	-	29
1	1	-	B	692968-1	SPACER, STRIPPER	28
2	2	-	A	314898-1	STRIPPER	27
1	1	-	B	692875-4	MOUNT, STRIPPER	26
-	-	-	-	-	-	25
-	-	-	-	-	-	24
1	-	-	B	768959-2	FRONT STRIP GUIDE	23
1	1	-	B	815932-1	STRIP GUIDE PLATE	22
-	1	-	B	768959-1	FRONT STRIP GUIDE	21
1	1	-	B	768490-2	REAR STRIP GUIDE	20
1	1	-	B	387650-4	DRAG, STOCK	19
-	-	-	-	-	-	18
-	-	-	-	-	-	17
-	-	-	-	-	-	16
-	-	-	-	-	-	15
-	-	-	-	-	-	14
1	1	-	A	811645-1	TIP, FEED FINGER	13
1	1	-	B	811644-1	FINGER, FEED	12
1	1	-	A	810131	ARM, FEED FINGER	11
1	1	-	A	374999	TENSION ADJUSTING PLATE	10
-	-	-	-	-	-	9
-	-	-	-	-	-	8
1	1	-	B	471167	RAM	7
1	1	-	B	314894-1	TOOL HOLDER	6
-	-	-	-	-	-	5
-	-	-	-	-	-	4
1	1	-	B	314895-1	SHEAR DEPRESSOR	3
2	2	-	B	314896-1	SPACER	2
1	1	-	C	3-456408-2	WIRE CRIMPER .110 F	1
-2	-1	U/M	DWG SIZE	PART NO	DESCRIPTION	ITEM NO
REVISION OF EACH ASSY NO (WHEN BLANK, USE DWG REVISION)						

THIS DRAWING IS A CONTROLLED DOCUMENT

THIS DRAWING IS UNPUBLISHED. RELEASED FOR PUBLICATION FEB 17, 1998 BY AMP INCORPORATED. ALL INTERNATIONAL RIGHTS RESERVED.

LOC A DIST 66