

4ch White LED Driver with Buck-Boost (40 LED Maximum)

BD81A24MUV-M / BD81A24EFV-M

General Description

BD81A24MUV-M/EFV-M is a white LED driver with the capability of withstanding high input voltage (35V Max). This driver has 4ch constant-current drivers integrated in 1-chip, where each channel can draw up to 120mA (Max), which is also suitable for high illumination LED drive. Furthermore, a buck-boost current mode DC/DC controller is also integrated to achieve stable operation during power voltage fluctuation. Light modulation (10,000:1 @100Hz dimming function) is possible by PWM input.

Features

- Integrated Buck-Boost Current Mode DC/DC Controller
 - Integrated 4ch Current Driver for LED Drive
 - 10,000: 1 PWM Dimming @100Hz
 - External Switching Frequency Synchronization
 - Built-In Protection Function (UVLO, OVP, OCP, SCP)
 - LED Abnormality Detection Function (Open/Short)
 - Integrated V_{OUT} Discharge Function (Buck-Boost or Buck Structure Limitation)
 - AEC-Q100 Qualified (Note 1)
- (Note 1) Grade1

Application

For Display audio, CID, Cluster, HUD
Small and Medium type LCD Panels for Automotive use.

Key Specifications

- Operating Input Voltage Range 4.5 to 35 V
- Output LED Current Accuracy ±3.0%@50mA
- DC/DC Oscillation Frequency 200 to 2200kHz
- Operating Temperature Range -40 to +125°C
- LED Maximum Output Current 120mA/ch
- PWM Min Pulse Width 1.0μs

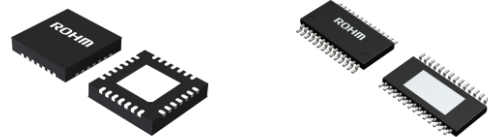
Package(s) W(Typ) x D(Typ) x H(Max)

VQFN28SV5050
(BD81A24MUV-M)

HTSSOP-B28
(BD81A24EFV-M)

W(Typ) x D(Typ) x H(Max)
5.0mm x 5.0mm x 1.0mm

W(Typ) x D(Typ) x H(Max)
9.7mm x 6.4mm x 1.0mm



Typical Application Circuit

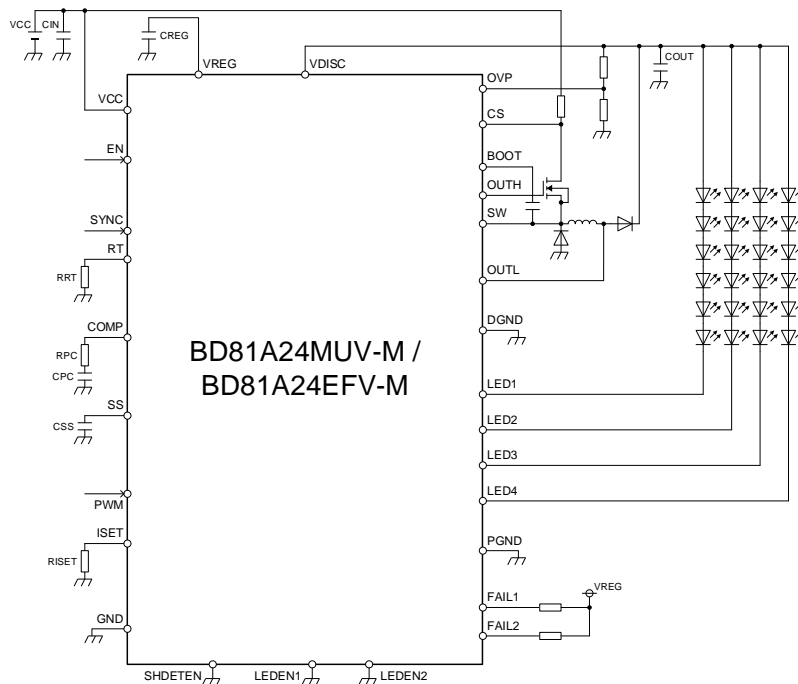
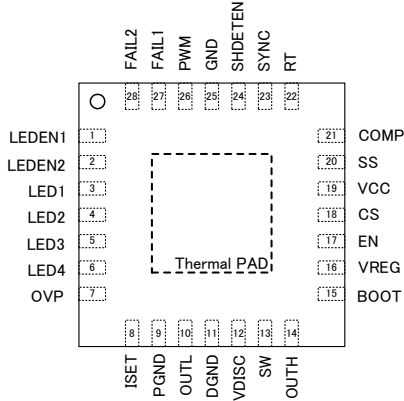


Figure 1. Buck-Boost Application Circuit

- Product structure: Silicon monolithic integrated circuit
- This product has no designed protection against radioactive rays

Pin Description

VQFN28SV5050 (Top view)



HTSSOP-B28 (Top view)

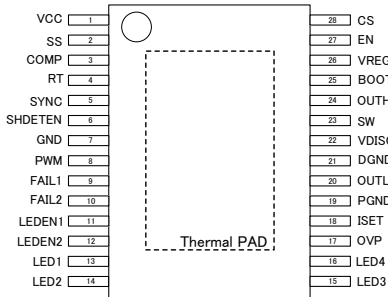


Figure 2. Pin Configuration

Pin Configuration

VQFN28 SV5050	HTSSOP -B28	Terminal Name	Function
1	11	LEDEN1	LED output pin enable terminal 1
2	12	LEDEN2	LED output pin enable terminal 2
3	13	LED1	LED output terminal 1
4	14	LED2	LED output terminal 2
5	15	LED3	LED output terminal 3
6	16	LED4	LED output terminal 4
7	17	OVP	Over-voltage detection terminal
8	18	ISET	LED output current setting terminal
9	19	PGND	LED output GND terminal
10	20	OUTL	Low side FET drain terminal
11	21	DGND	DC/DC output GND terminal
12	22	VDISC	Output voltage discharge terminal
13	23	SW	High side FET source terminal
14	24	OUTH	High side FET gate terminal
15	25	BOOT	High side FET driver power supply terminal
16	26	VREG	Internal constant voltage
17	27	EN	Enable terminal
18	28	CS	DC/DC current sense terminal
19	1	VCC	Input power supply terminal
20	2	SS	“Soft Start” Capacitor connection
21	3	COMP	ERR AMP output
22	4	RT	Oscillation Frequency-setting resistor input
23	5	SYNC	External synchronization input terminal
24	6	SHDETEN	Short detection enable signal
25	7	GND	Small signal GND terminal
26	8	PWM	PWM light modulation input terminal
27	9	FAIL1	“Failure” signal output terminal
28	10	FAIL2	LED open/short detection output signal
-	-	Thermal PAD	Back side thermal PAD (Please connect to GND)

Block Diagram

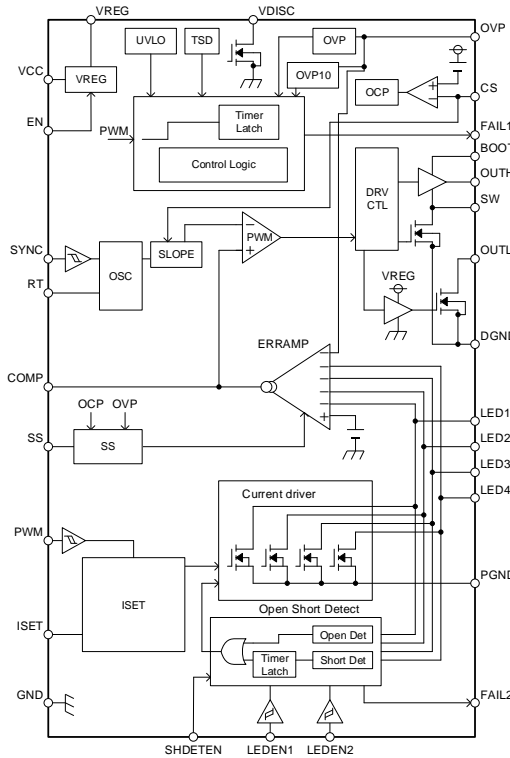


Figure 3. Internal Block Diagram

Description of Blocks

1. Voltage Reference (VREG)

5V (Typ) is generated from the V_{CC} Input Voltage (when at EN=High). This voltage (VREG) is used as power supply of internal circuit and when fixing the pins outside of the IC at a high voltage, as well. The UVLO protection is integrated in VREG. The circuit starts to operate at V_{CC}≥4.0V (Typ) and VREG=3.5V (Typ) and stops when at V_{CC}≤3.5V (Typ) or VREG≤2.0V (Typ). For release/cancellation condition and detection condition, please refer to Table 2 on page 11. Connect a ceramic capacitor (CREG) to VREG terminal for phase compensation. CREG range is 1.0μF to 4.7μF and recommend value is 2.2μF. If the CREG is not connected, the operation of circuit will be notably unstable.

2. Constant Current Driver

Table1. LED Control Logic

LEDEN1	LEDEN2	LED1	LED2	LED3	LED4
L	L	ON	ON	ON	ON
H	L	ON	ON	ON	OFF
L	H	ON	ON	OFF	OFF
H	H	ON	OFF	OFF	OFF

If less than four constant-current drivers are used, please make the LED1 to 4 terminal 'open' while the output 'OFF' by LEDEN1 and LEDEN2 terminal. The truth table for these pins is shown above. If the unused constant-current driver output will be set open without the process of LEDEN1,2 terminals, the 'open detection' will be activated. The LEDEN1, 2 terminals is pulled down internally in the IC and it is low at 'open' condition. They should be connected to VREG terminal or fixed to logic HIGH when in use.

(1) Output Current Setting (RISET)

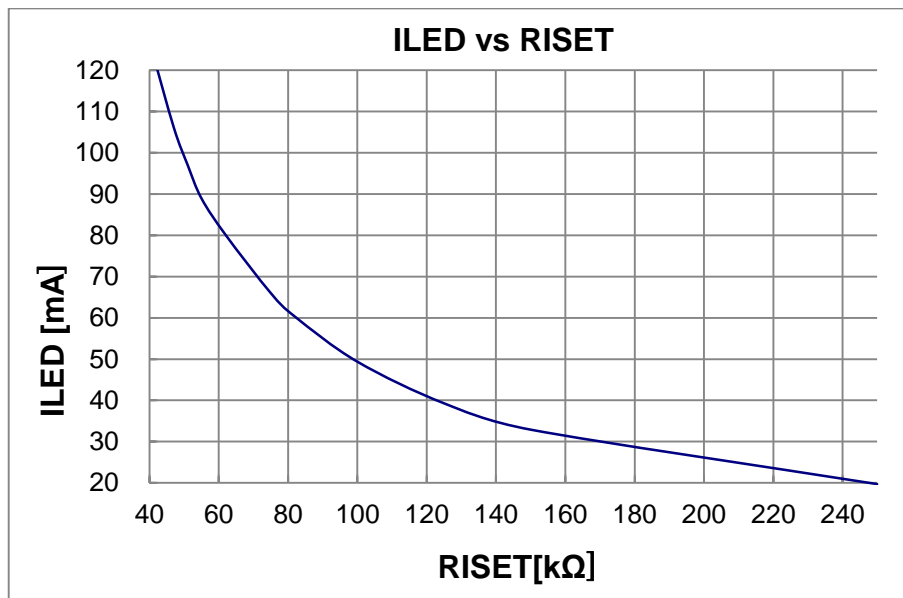


Figure 4. ILED vs RISET

The Output Current ILED can be obtained by the following equation:

$$ILED[mA] = (1.0V / RISET[kΩ]) \times 5000$$

RISET operating range is 41kohm to 250kohm. It cannot change the RISET value in the operation.

This IC has ISET-GND short protection that protect LED element from over current when ISET and GND is short. If the RISET value is under 4.7kohm, the IC detects ISET-GND short and LED current becomes off.

<Caution of LED current setting>

If the output current I_{LED} is set to >100mA/ch, the stability of LED current within specified operating temperature range will decrease. LED current supply value will depend on the amount of ripple in output voltage (V_{OUT}). The figure below shows the temperature and the possible LED current maximum value settings, please adjust the ripple voltage in such a way that the LED current value setting will fall within the range as shown in the graph below. (ΔV_{OUT} : Output Ripple Voltage) Please refer P22, there is the detail information of V_{OUT} ripple voltage.

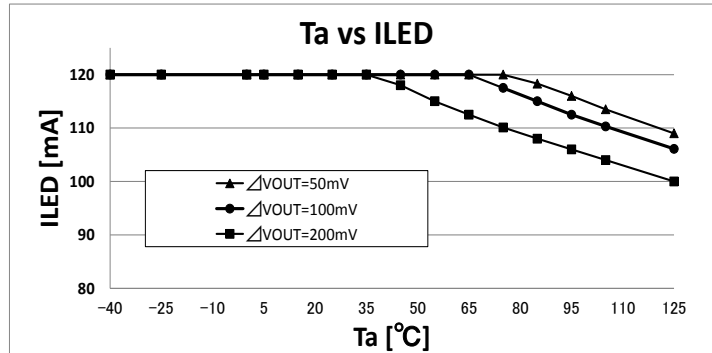


Figure 5. Temperature (Ta) vs Output LED Current (ILED)

(2) PWM Intensity Control

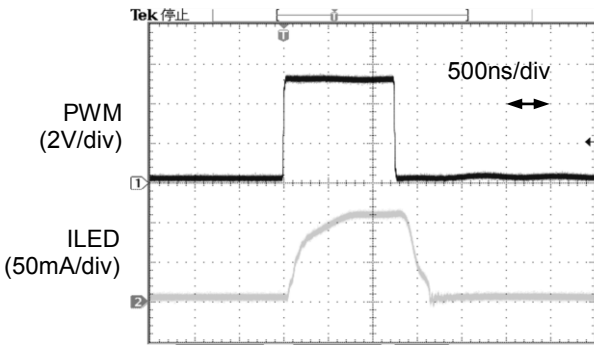


Figure 6. PWM=150Hz, Duty=0.02%, I_{LED} Waveform

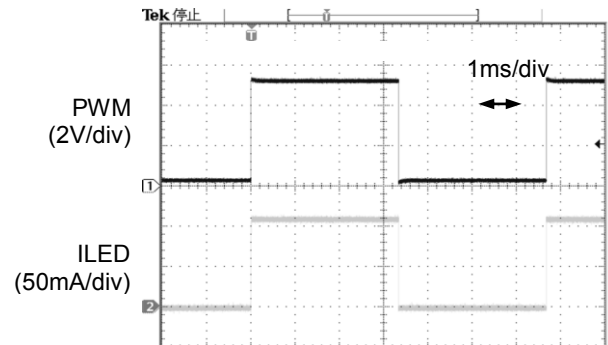


Figure 7. PWM=150Hz, Duty=50.0%, I_{LED} Waveform

The current driver ON/OFF is controlled by PWM terminal. The duty ratio of PWM terminal becomes duty ratio of I_{LED} . If don't use PWM dimming, please set the PWM terminal to HIGH. Output light intensity is greatest at 100% input

3. Buck-Boost DC/DC Controller

(1) Number of LED in Series Connection

In this IC, the output voltage of the DC/DC converter (V_{OUT}) is controlled by LED cathode voltage (LED1-4 terminal voltage) becomes 1.0V (Typ). When two or more LED are operating at the same time, the LED terminal voltage that connects the highest LED Vf row is held at 1.0V (Typ). Then the voltages of other LED terminal will increase only LED Vf tolerance. Please decide LED Vf tolerance by using the description as shown below:

$$LED \text{ series number} \times LED \text{ Vf tolerance voltage} < \text{Short Detection Voltage } 4.2V \text{ (Min)} - LED \text{ Control Voltage } 1.1V \text{ (Max)}$$

(2) Over Voltage Protection (OVP)

The output of the DC/DC converter (V_{OUT}) should be connected to the OVP pin via voltage divider. If OVP terminal voltage is over 2.0V (Typ), Over Voltage Protection (OVP) is active and stop the DCDC switching. In determining an appropriate trigger voltage for OVP function, consider the total number of LEDs in series and the Maximum variation in Vf. When OVP terminal voltage drops to 1.94V (Typ) after OVP operation, the OVP will be released. If ROVP1 is GND side resistance, ROVP2 is output voltage side resistance and output voltage is V_{OUT} , OVP will occur at below equation.

$$V_{OUT}[V] \geq \{(ROVP1[k\Omega] + ROVP2[k\Omega])/ROVP1[k\Omega]\} \times 2.0[V]$$

OVP will engage when $V_{OUT} > 32V$ if $ROVP1=22k\Omega$ and $ROVP2=330k\Omega$.

(3) Buck-Boost DC/DC Converter Oscillation Frequency (FOSC)

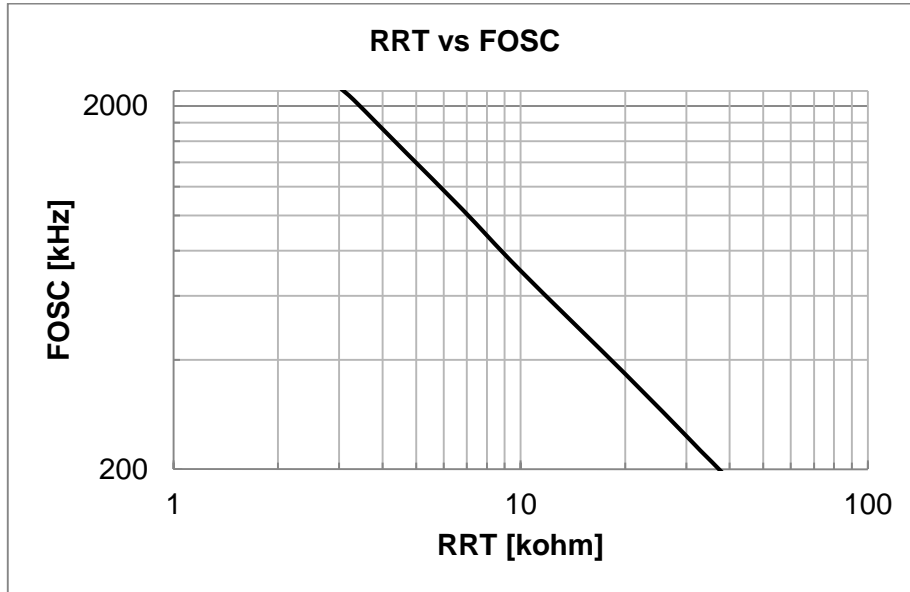


Figure 8. RRT vs FOSC

DCDC oscillation frequency can be set via a resistor connected to the RT pin. This resistor determines the charge/discharge current to the internal capacitor, thereby changing the oscillation frequency. Please set the resistance of RRT using the above data and below equation.

$$Fosc[kHz] = (81 \times 10^2 / RRT[k\Omega]) \times a$$

Where:

81×10² is the constant value in IC (+/-10%)

a is the adjustment factor

(RRT: a = 41kΩ: 1.01, 27kΩ: 1.00, 18kΩ: 0.99, 10 kΩ: 0.98, 4.7kΩ: 0.97, 3.9kΩ: 0.96)

A resistor in the range of 3.6 kΩ to 41 kΩ is recommended. Settings that deviate from the frequency range shown above may cause switching to stop, and proper operation cannot be guaranteed.

(4) External Synchronization Oscillation Frequency (FSYNC)

If the clock signal input to SYNC terminal, the internal oscillation frequency can be synchronized externally.

Do not switch from external to internal oscillation if the DC/DC converter is active.

The clock input to SYNC terminal is valid only in rising edge.

As for the external input frequency, the input of the internal oscillation frequency ± 20% decided in RT terminal resistance is recommended.

(5) Soft Start Function (SS)

The soft-start (SS) function can limits the start up current and output rise-time slowly if the capacitor connected to SS terminal. It is available for prevention of output voltage overshoot and inrush current. If you don't use soft-start function, please set SS terminal open. For the calculation of SS time, please refer to the formula on page 24.

(6) Max Duty

If this IC operates by DCDC switching Max Duty, it would not output expect voltage and LED current decrease or LED current OFF by SCP. Please set load condition and external parts for DCDC switching Duty does not reach Max Duty.

4. Protect Function

Table 2. The detect condition of each protect function and the operation during detection

Protect Function	Detect Condition		Operation During Detection
	[Detection]	[Release/ Cancellation]	
UVLO	$V_{CC} < 3.5V$ or $V_{REG} < 2.0V$	$V_{CC} > 4.0V$ and $V_{REG} > 3.5V$	All Blocks Shuts down (Except for VREG)
TSD	$T_j > 175^{\circ}C$	$T_j < 150^{\circ}C$	All Blocks Shuts down (Except for VREG)
OVP	$V_{OVP} > 2.0V$	$V_{OVP} < 1.94V$	DCDC switching OFF
OCP	$V_{CS} \leq V_{CC} - 0.2V$	$V_{CS} > V_{CC} - 0.2V$	DCDC switching OFF
SCP	One of the LED1-4 is under 0.3V or $V_{OVP} < 0.57V$ (100ms delay @300kHz)	EN Reset or UVLO Reset	After SCP delay time, all block Latch Off (Except for VREG)
LED Open Protection	$V_{LED} < 0.3V$ and $V_{OVP} > 2.0V$	EN Reset or UVLO Reset	Only the detected channel latches OFF
LED Short Protection	$V_{LED} > 4.5V$ (100ms delay @300kHz)	EN Reset or UVLO Reset	After LED Short delay time, only the detected channel latch OFF

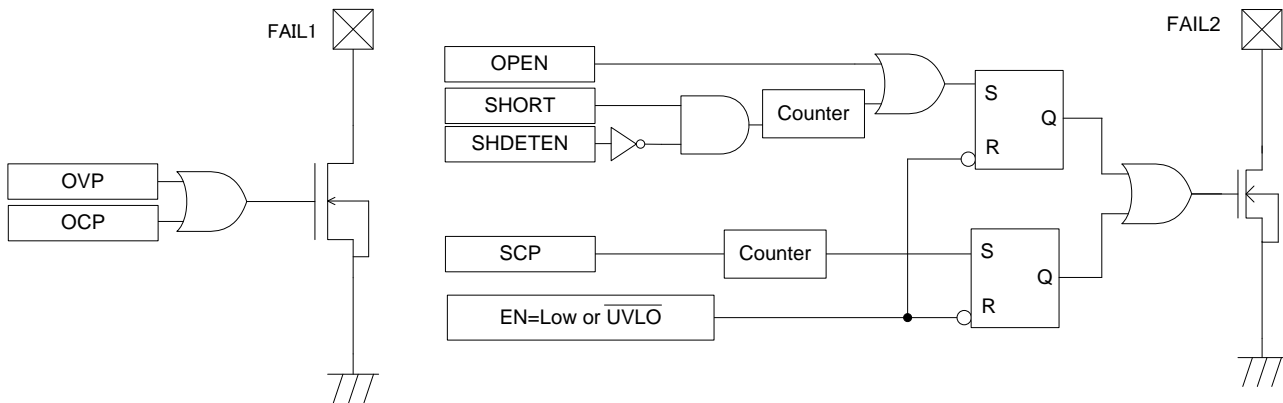


Figure 9. Protection Flag Output Block Diagram

The operating status of the protection is propagated to FAIL1 and FAIL2 terminals (open-drain outputs). FAIL1 becomes low when OVP or OCP protection is detected, whereas FAIL2 becomes low when SCP, LED open or LED short is detected. If the FAIL terminal will not be used as flag output, please make the FAIL terminal open or connect it to GND. But if the FAIL terminal will be used as a flag output, it is recommended to pull-up the FAIL1, 2 terminals to VREG terminal. The recommended value of pull-up resistance is 100kΩ.

- (1) Under-Voltage Lock Out (UVLO)
The UVLO shuts down all the circuits except VREG when $V_{CC} < 3.5V$ (Typ) or $V_{REG} < 2.0V$ (Typ). And UVLO is released by $V_{CC} > 4.0V$ (Typ) and $V_{REG} > 3.5V$ (Typ).
- (2) Thermal Shut Down (TSD)
The TSD shuts down all the circuits except VREG when the T_j reaches $175^{\circ}C$ (Typ), and releases when the T_j becomes below $150^{\circ}C$ (Typ).
- (3) Over-Voltage Protection (OVP)
The output voltage of DC/DC is detected from the OVP terminal voltage, and the over-voltage protection will activate if the OVP terminal voltage becomes greater than $2.0V$ (Typ). When OVP is activated, the switching operation of the DC/DC turns off. And OVP terminal becomes less than $1.94V$ (Typ), OVP is released and the switching operation of the DC/DC turns on.
- (4) Over-Current Protection (OCP)
The OCP detects the coil current by monitoring the voltage of the high-side resistor, and activates when the CS voltage becomes less than $V_{CC} - 0.2V$ (Typ).
When the OCP is activated, the switching operation of the DC/DC turns off. And CS voltage becomes over than $V_{CC} - 0.2V$ (typ), OCP is released and the switching operation of the DC/DC turns on.
- (5) Short Circuit Protection (SCP)
When the LED terminal voltage becomes less than $0.3V$ (Typ) or OVP terminal becomes less than $0.57V$ (typ), the built-in counter operation will start and the latch will activate at oscillation frequency in 32770 count. In case of $f_{osc} = 300kHz$, the count time is approximately 100ms. If the LED terminal voltage becomes over $0.3V$ or OVP terminal becomes over $1.0V$ (typ) before 32770 count, the counter resets and SCP is not detected.
- (6) LED Open Detection
When the LED terminal voltage is below $0.3V$ (Typ) and OVP terminal voltage more than $2.0V$ (Typ) simultaneously, LED open is detected and latches off the open channel.
- (7) LED Short Detection Circuit
If the LED terminal voltage becomes more than $4.5V$ (Typ), the built-in counter operation will start and the latch will activate at oscillation frequency in 32770 count. In case of $f_{osc} = 300kHz$, the count time is approximately 100ms. During PWM dimming, the LED Short Detect operation is carried out only when PWM=High. If the LED terminal voltage becomes less than $4.5V$ (Typ) before 32770 count, the counter resets and LED Short is not detected.
When LED Short Detect function will not be used, SHDETEN terminal should be connected to VREG before starting. When LED Short Detect function is used, the SHDETEN terminal should be connected to GND. In addition, it cannot change SHDETEN voltage (High or Low) during normal operation.
- (8) PWM Low Latch Off Circuit
After the EN is ON, the low interval of PWM input is counted by built-in counter. The clock frequency of counter is the f_{osc} Frequency, which is determined by RRT, and stops the operation of circuits except VREG at 32768 counts. In case of $f_{osc} = 300kHz$, the count time is approximately 100ms.

(9) Output Voltage Discharge Circuit (VDISC function)

When EN restart with Vout charge remaining, there is the possibility of LED flicker. Therefore restarting DC/DC must be operated after discharging Vout. If using only pull-down resistance as setting OVP for discharge, it takes a lot time for discharging Vout. Therefore this product has functionality of circuit for Vout discharge. Vout discharge function is available for Buck Boost or Buck application. It is need to connect Vout and VDISC terminal and use VDISC function. When VDISC terminal is connected to Vout, the output can be discharged when DCDC circuit becomes OFF (with EN changing high to low or detection of protect).

The discharge time Tdisc is expressed in the following equations.

$$Tdisc[s] = \frac{3 \times Vout[V] \times Cout[F]}{4 \times IDISC[A]}$$

Where:

Tdisc: DC/DC Output Discharge Time

COUt: DC/DC Output Capacity

Vout: DC/DC Output Voltage

IDISC: Discharge current

Please confirm IDISC value that 25% of Vout voltage from following graph and input above equation. For example, when using Vout=20V, please use IDISC value of Vout=5V (approximately 76mA). It will take Tdisc time for Vout discharge. Please set EN=Low time over than Tdisc for prevent LED flicker.

This Tdisc value is reference data. Please verifying by actual measurements.

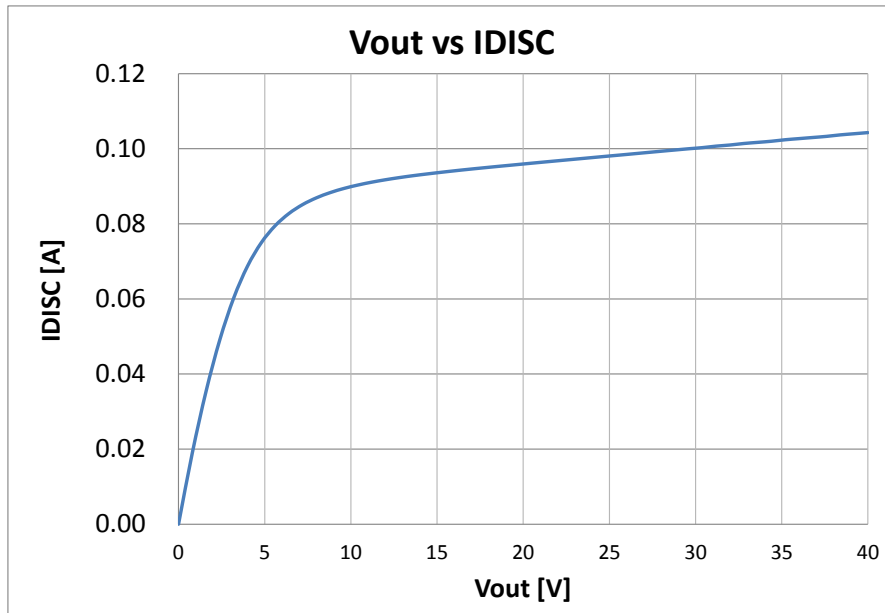


Figure 10. Vout vs IDISC

Absolute Maximum Ratings (Ta=25°C)

Parameter	Symbol	Rating	Unit
Power Supply Voltage	V _{CC}	40	V
BOOT, OUTH Pin Voltage	V _{BOOT} , V _{OUTH}	45	V
SW, CS, OUTL Pin Voltage	V _{SW} , V _{CS} , V _{OUTL}	40	V
BOOT-SW Pin Voltage	V _{BOOT-SW}	7	V
LED1 to 4, VDISC Pin Voltage	V _{LED1,2,3,4} , V _{VDISC}	40	V
PWM, SYNC, EN pin Voltage	V _{PWM} , V _{SYNC} , V _{EN}	-0.3 to +7	V
VREG, OVP, FAIL1, FAIL2, SS, RT pin Voltage	V _{VREG} , V _{OV} P, V _{FAIL1} , V _{FAIL2} , V _{SS} , V _{RT}	-0.3 to +7 < V _{CC}	V
LEDEN1, LEDEN2, ISET, COMP, SHDETEN pin Voltage	V _{LEDEN1} , V _{LEDEN2} , V _{ISET} , V _{COMP} , V _{SHDETEN}	-0.3 to +7 < V _{VREG}	V
Junction Temperature Range	T _j	-40 to +150	°C
Storage Temperature Range	T _{stg}	-55 to +150	°C
LED Maximum Output Current	I _{LED}	120 (Note 1)	mA

(Note 1) Current level per channel. Please set LED current that does not over Junction Temperature Range (T_j) maximum.

Recommended Operating Ratings

Parameter	Symbol	Rating		Unit
		Min	Max	
Power Supply Voltage (Note 2)	V _{CC}	4.5	35	V
Operating Temp Range	T _{opr}	-40	+125	°C
DC/DC Oscillation Frequency Range	F _{OSC}	200	2200	kHz
External Synchronization Frequency Range (Note 3) (Note 4)	F _{SYNC}	200	2200	kHz
External Synchronization Pulse Duty Range	F _{SDUTY}	40	60	%

(Note2) It is near V_{CC} terminal voltage. Please be careful the voltage drop by V_{CC} line impedance.

(Note3) If don't use an external synchronization frequency, please make the SYNC open or connect to GND.

(Note4) If using an external synchronization frequency, don't change to internal oscillation in the middle of process.

Recommended Parts Ratings

Parameter	Symbol	Rating		Unit
		Min	Max	
VREG Capacitor	C _{REG}	1.0	4.7	μF
LED Current setting Resistance	R _{ISET}	41	250	kΩ
DC/DC Oscillation Frequency setting Resistance	R _{RRT}	3.6	41	kΩ
Soft Start setting Capacitor	C _{SS}	0.047	0.47	μF

Thermal Resistance^(Note 1)

Parameter	Symbol	Thermal Resistance (Typ)		Unit
		1s ^(Note 3)	2s2p ^(Note 4)	
VQFN28SV5050				
Junction to Ambient	θ_{JA}	128.5	31.5	°C/W
Junction to Top Characterization Parameter ^(Note 2)	Ψ_{JT}	12	9	°C/W
HTSSOP-B28				
Junction to Ambient	θ_{JA}	107.0	25.1	°C/W
Junction to Top Characterization Parameter ^(Note 2)	Ψ_{JT}	6	3	°C/W

(Note 1)Based on JESD51-2A(Still-Air)

(Note 2)The thermal characterization parameter to report the difference between junction temperature and the temperature at the top center of the outside surface of the component package.

(Note 3)Using a PCB board based on JESD51-3.

Layer Number of Measurement Board	Material	Board Size
Single	FR-4	114.3mm x 76.2mm x 1.57mmt
Top		
Copper Pattern	Thickness	
Footprints and Traces	70μm	

(Note 4)Using a PCB board based on JESD51-5, 7.

Layer Number of Measurement Board	Material	Board Size	Thermal Via ^(NOTE 5)		
			Pitch	Diameter	
4 Layers	FR-4	114.3mm x 76.2mm x 1.6mmt	1.20mm	Φ0.30mm	
Top		2 Internal Layers		Bottom	
Copper Pattern	Thickness	Copper Pattern	Thickness	Copper Pattern	Thickness
Footprints and Traces	70μm	74.2mm x 74.2mm	35μm	74.2mm x 74.2mm	70μm

(Note 5) This thermal via connects with the copper pattern of all layers..

Electrical Characteristics ($V_{CC}=12V$, $T_a = -40^{\circ}C$ to $+125^{\circ}C$ *Unless otherwise specified)

Parameter	Symbol	Limit			Unit	Conditions
		Min	Normal	Max		
Circuit Current	I_{CC}	-	-	10	mA	EN=High, SYNC=High, RT=OPEN PWM=Low, ISET=OPEN, $C_{IN}=10\mu F$
Standby Current	I_{ST}	-	-	10	μA	EN=Low, VDISC=OPEN
[VREG]						
Reference Voltage	V_{REG}	4.5	5.0	5.5	V	I _{REG} =-5mA, C _{REG} =2.2 μF
[OUTH]						
OUTH High Side ON-Resistor	R_{ONHH}	1.5	3.5	7.0	Ω	IOUTH=-10mA
OUTH Low Side ON-Resistor	R_{ONHL}	0.8	2.5	5.5	Ω	IOUTH=10mA
OCP Detection Voltage	V_{OLIMIT}	VCC-0.22	VCC-0.2	VCC-0.18	V	
[OUTL]						
OUTL ON-Resistor	R_{ONL}	0.44	0.80	1.15	Ω	IOUTL=-10mA, $T_a=25^{\circ}C$
		0.20	0.80	2.10	Ω	IOUTL=10mA, $T_a=-40^{\circ}C$ to $125^{\circ}C$
[SW]						
SW Low Side ON-Resistor	R_{ON_SW}	4.0	10.0	25.0	Ω	ISW=10mA
[Error AMP]						
LED Control Voltage	V_{LED}	0.9	1.0	1.1	V	
COMP Sink Current	$I_{COMPSINK}$	35	80	145	μA	VLED=2V, VCOMP=1V
COMP Source Current	$I_{COMPSOURCE}$	-145	-80	-35	μA	VLED=0.5V, VCOMP=1V
[Oscillator]						
Oscillation Frequency 1	fosc1	285	300	315	kHz	RT=27k Ω
Oscillation Frequency 2	fosc2	1800	2000	2200	kHz	RT=3.9k Ω
[OVP]						
OVP Detection Voltage	V_{OVP1}	1.9	2.0	2.1	V	VOVP=Sweep up
OVP Hysteresis Width	$V_{OVPHYS1}$	0.02	0.06	0.10	V	VOVP=Sweep down

Electrical Characteristics ($V_{CC}=12V$, $T_a = -40^{\circ}C$ to $+125^{\circ}C$ *Unless otherwise specified)

Parameter	Symbol	Limit			Unit	Conditions
		Min	Normal	Max		
[UVLO]						
UVLO Detection Voltage	V_{UVLO}	3.2	3.5	3.8	V	VCC: Sweep down
UVLO Hysteresis Width	V_{UHYS}	0.25	0.5	0.75	V	VCC: Sweep up, VREG>3.5V
[LED Output]						
LED Current Relative Dispersion	I_{LED1}	-3	-	+3	%	$I_{LED}=50mA$, $T_a=25^{\circ}C$ $\Delta I_{LED1}=(I_{LED}/I_{LED_AVG}-1)\times 100$
		-5	-	+5	%	$I_{LED}=50mA$, $T_a=-40^{\circ}C$ to $125^{\circ}C$ $\Delta I_{LED1}=(I_{LED}/I_{LED_AVG}-1)\times 100$
LED Current Absolute Dispersion	I_{LED2}	-3	-	+3	%	$I_{LED}=50mA$, $T_a=25^{\circ}C$ $\Delta I_{LED2}=(I_{LED}/50mA-1)\times 100$
		-5	-	+5	%	$I_{LED}=50mA$, $T_a=-40^{\circ}C$ to $125^{\circ}C$ $\Delta I_{LED2}=(I_{LED}/50mA-1)\times 100$
ISET Voltage	V_{ISET}	0.9	1.0	1.1	V	$R_{ISET}=100k\Omega$
PWM Minimum Pulse Width	T_{MIN}	1	-	-	μs	FPWM=100Hz to 20kHz, $I_{LED}=20mA$ to $100mA$
PWM Frequency	f_{PWM}	0.1	-	20	kHz	
[Protection Circuit]						
LED Open Detection Voltage	V_{OPEN}	0.2	0.3	0.4	V	VLED1,2,3,4= Sweep down
LED Short Detection Voltage	V_{SHORT}	4.2	4.5	4.8	V	VLED1,2,3,4= Sweep up
LED Short Detection Latch OFF Delay Time	t_{SHORT}	70	100	130	ms	$RRT=27k\Omega$
SCP Latch OFF Delay Time	t_{SCP}	70	100	130	ms	$RRT=27k\Omega$
PWM Latch OFF Delay Time	t_{PWM}	70	100	130	ms	$RRT=27k\Omega$
ISET-GND Short Protection impedance	$R_{ISETPROT}$	-	-	4.7	k Ω	
[Logic Input]						
Input High Voltage	V_{INH}	2.1	-	VREG	V	EN, SYNC, SHDETEN, PWM, LEDEN1, LEDEN2
Input Low Voltage	V_{INL}	GND	-	0.8	V	EN, SYNC, SHDETEN, PWM, LEDEN1, LEDEN2
Input Current	I_{IN}	15	50	100	μA	$V_{IN}=5V$ (EN, SYNC, SHDETEN PWM, LEDEN1, LEDEN2,)
[FAIL Output (Open Drain)]						
FAIL Low Voltage	V_{OL}	-	0.1	0.2	V	$I_{OL}=0.1mA$

Typical Performance Curves

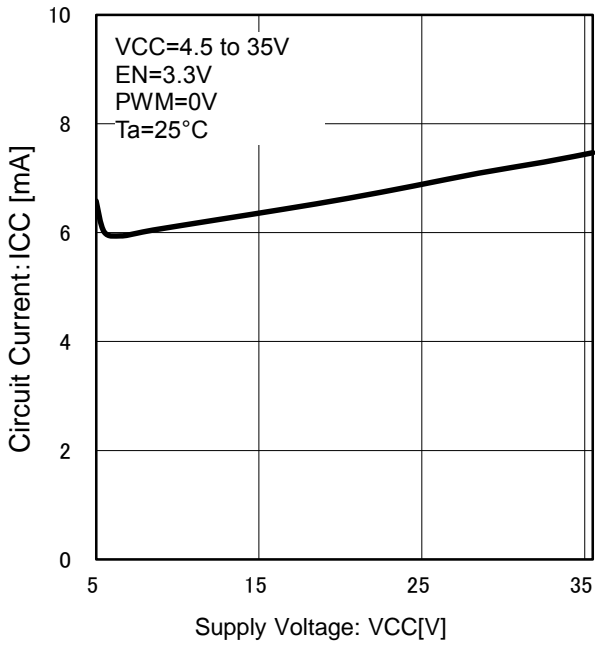


Figure 11. Circuit Current vs Supply Voltage

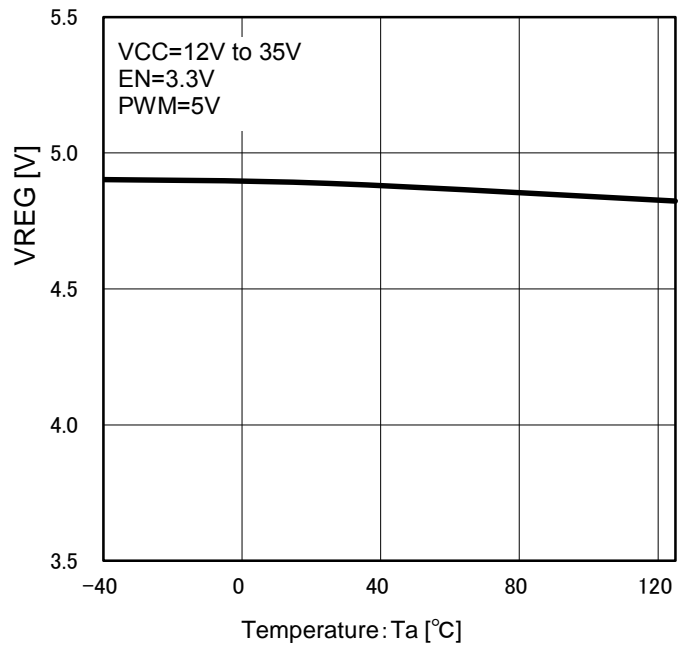


Figure 12. VREG vs Temperature

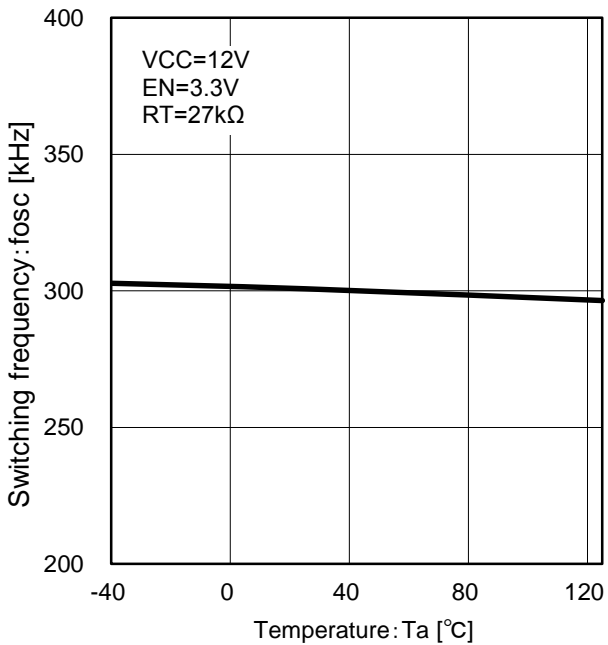


Figure 13. Switching Frequency vs Temperature (@ 300 kHz)

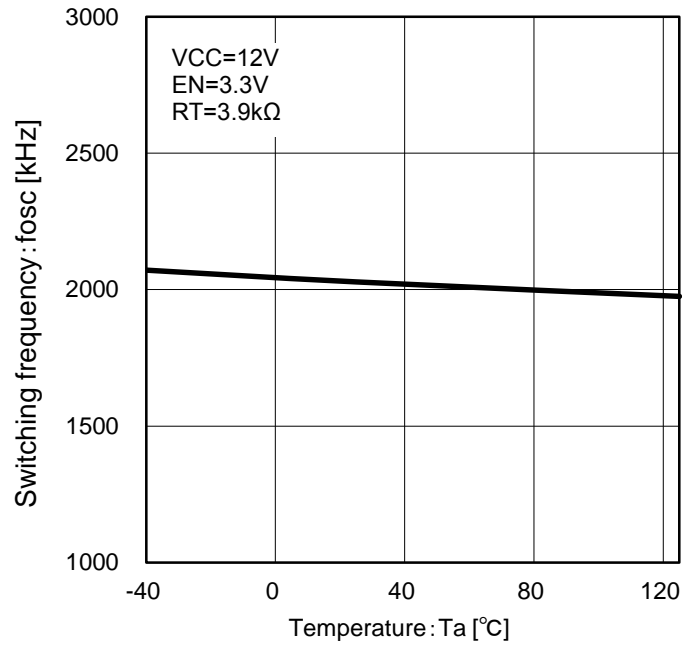


Figure 14. Switching Frequency vs Temperature (@ 2000 kHz)

Typical Performance Curves - continued

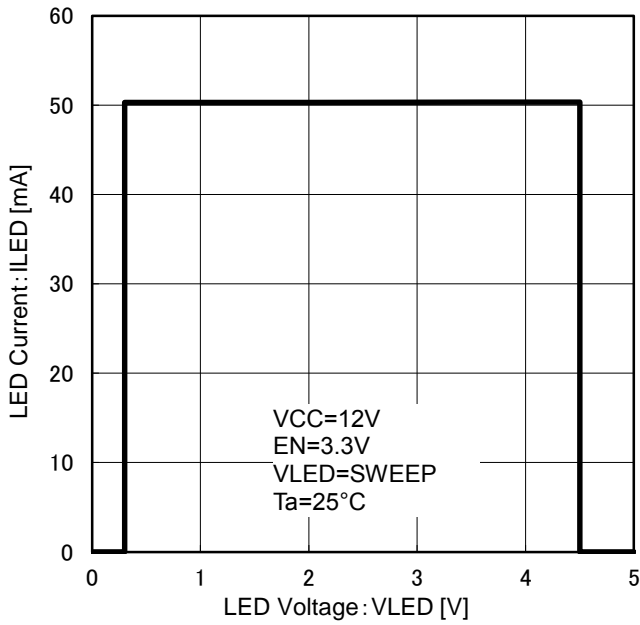


Figure 15. LED Current vs LED Voltage

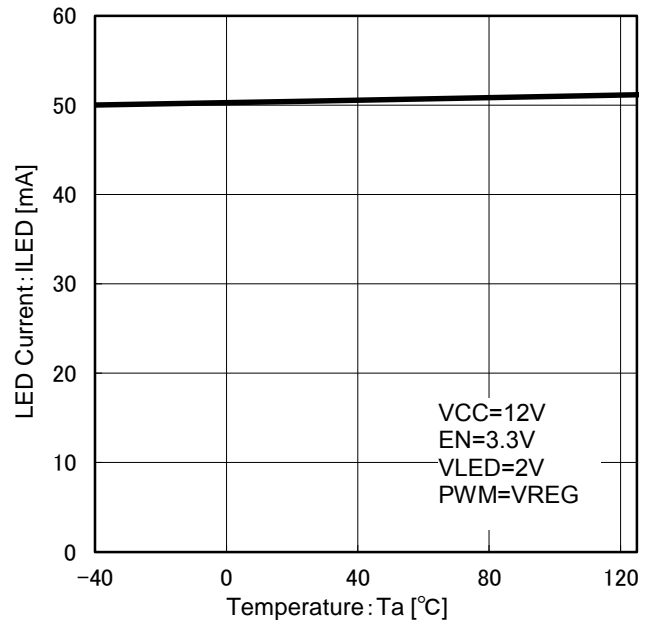


Figure 16. LED Current vs Temperature

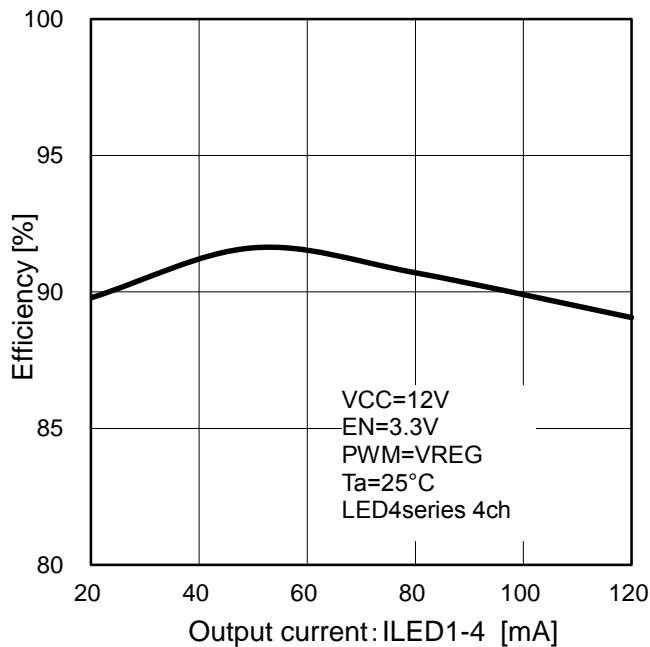


Figure 17. Efficiency vs Output Current (Buck-Boost Application)

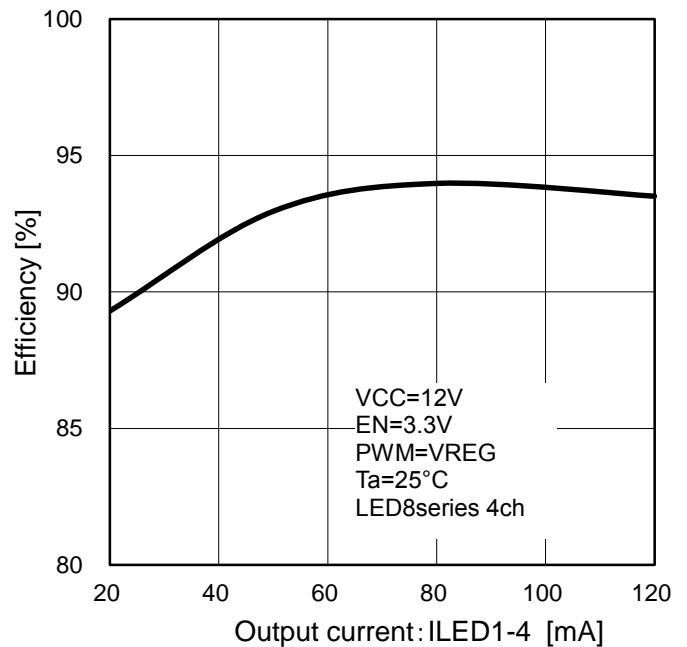


Figure 18. Efficiency vs Output Current (Boost Application)

Timing Chart (Start up and Protection)

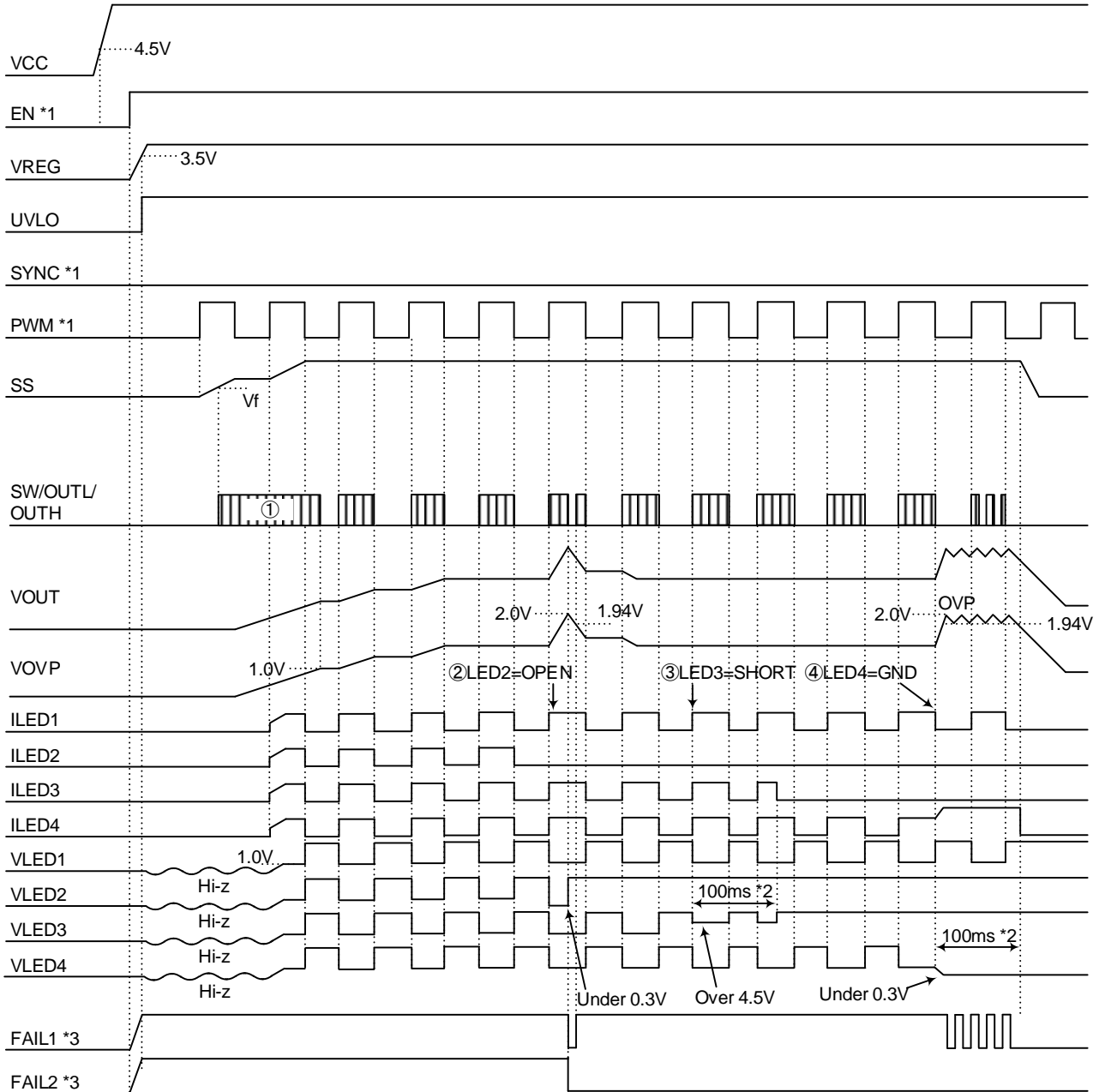


Figure 19. Startup and Protect function timing chart

*1 Vcc, EN, PWM, SYNC are input sequence free.

*2 The count time of $32770\text{clk} \times 1/F_{\text{osc}}$. In case of $f_{\text{osc}}=300\text{kHz}$, the count time is approximately 100ms.

*3 Above timing chart is the case of pulling up FAIL1 and FAIL2 terminal to VREG.

1. When VOVP less than 1.0V, regardless of PWM input, the DC/DC switching operation will be active (Pre-Boost function). And if VOVP reaches 1.0V, the Pre-Boost is finished.
2. When VLED2 less than 0.3V and VOVP more than 2.0V, LED Open Protect is active and LED2 is turned OFF. Then FAIL2 becomes Low.
3. If The condition of VLED3 more than 4.5V passes 100ms (@ $f_{\text{osc}}=300\text{kHz}$), LED3 is turned OFF. Then FAIL2 becomes Low.
4. When VLED4 short to GND, increase the Vout voltage. Then VOVP rises over 2.0V, FAIL1 becomes Low. If OVP occur, DCDC switching is OFF and decrease Vout voltage, then OVP repeats ON/OFF. And DCDC switching and LED current of each CH is OFF after approximately 100ms. (In case of $f_{\text{osc}}=300\text{kHz}$).

Timing Chart (Start up and Restart)

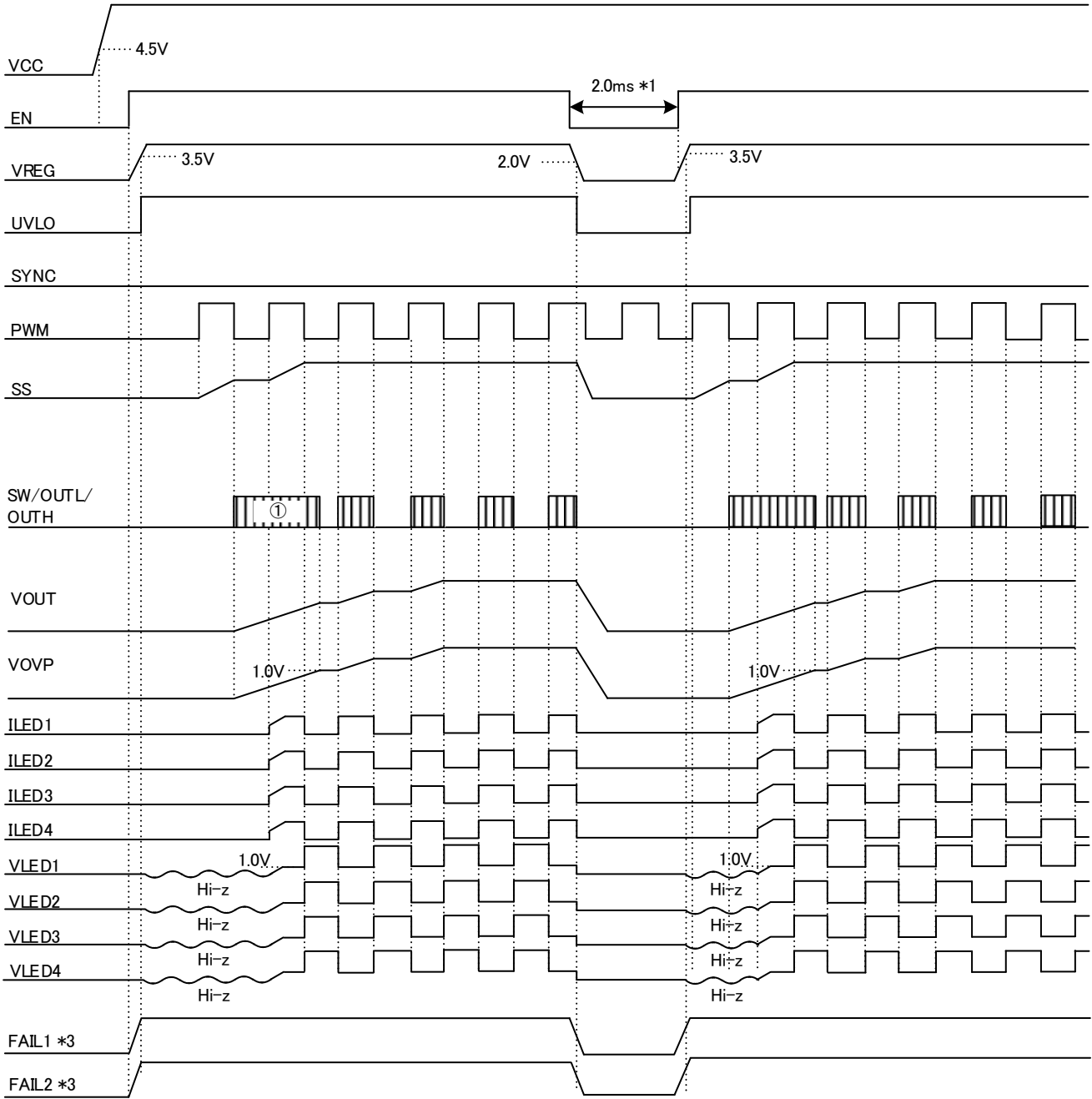


Figure 20. Start up and EN restart timing chart

*1 EN Low term when EN restart needs more 2.0ms

*2 Please restart after Vout voltage discharged. Vout discharge function (P.8) or external discharge switch is available. If EN restart with Vout voltage remaining, there is possibility of LED flash.

Application Examples

When using as Boost DC/DC converter

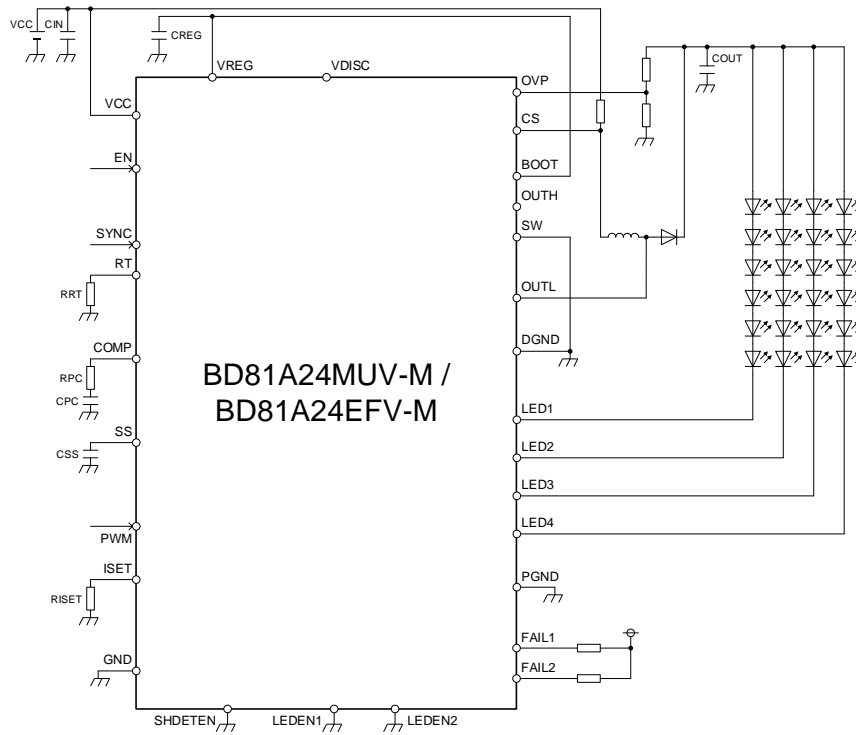


Figure 21. Boost application circuit

Note: When using as boost DC/DC converter, if the V_{OUT} and LED terminal are shorted, the over-current from V_{IN} cannot be prevented. To prevent overcurrent, carry out measure such as inserting fuse in between V_{CC} and RCS.

When using as Buck DC/DC Converter

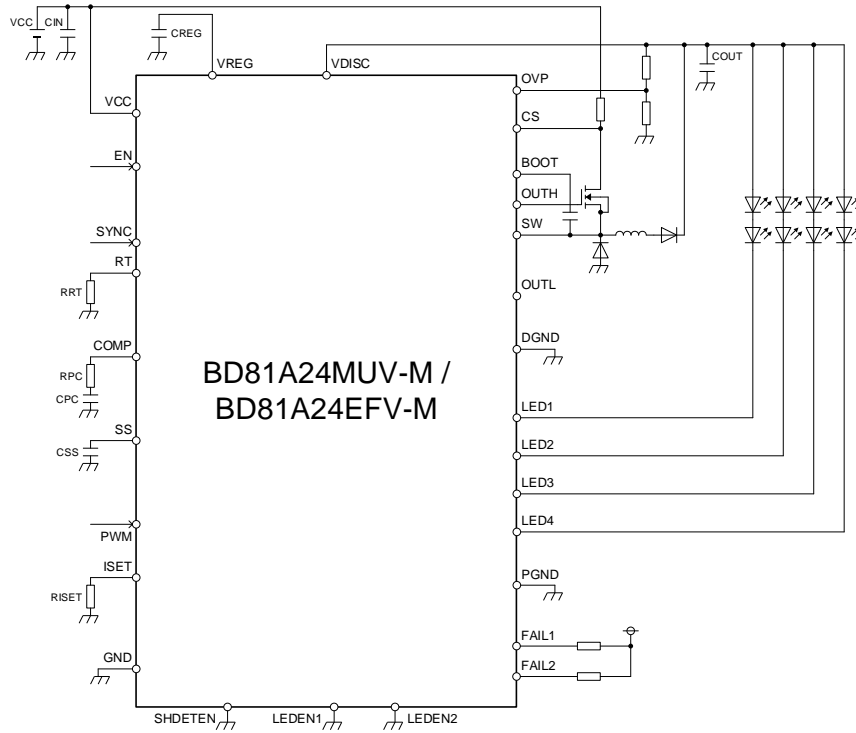


Figure 22. Buck application circuit

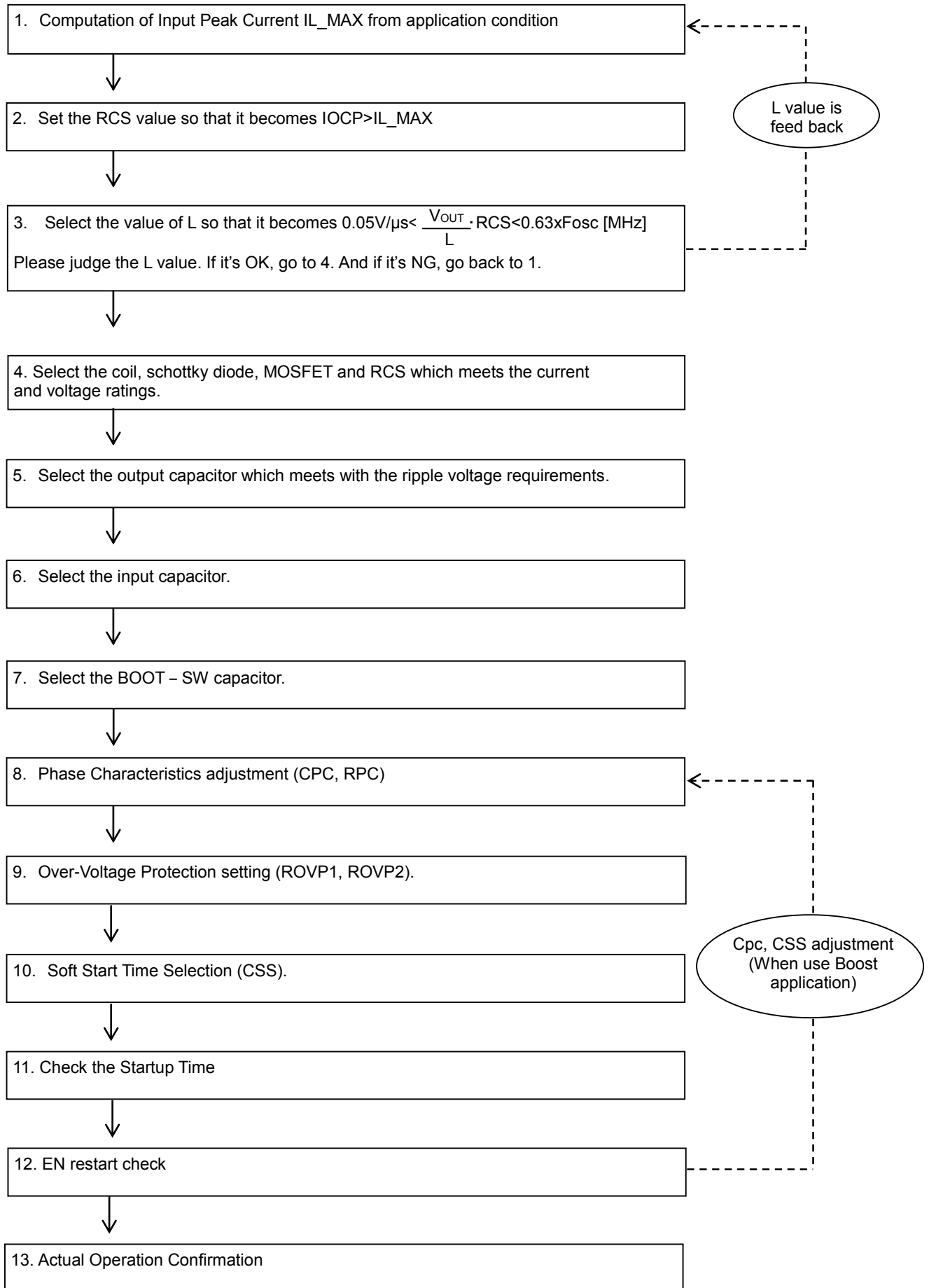
PCB Board External Components List (Buck Boost application)

serial No.	component name	component value	product name	Manufacturer
1	CIN1	10 μ F	GCM32EC71H106KA01	murata
2	CIN2	—	—	—
3	CIN3	—	—	—
4	RCS1	100m Ω	MCR100 Series	Rohm
5	RCS2	100m Ω	MCR100 Series	Rohm
6	RCS3	Short	—	—
7	CCS	—	—	—
8	CSS	0.1 μ F	GCM155R71H104KE37	murata
9	CPC1	0.01 μ F	GCM155R71H104KE37	murata
10	RPC1	5.1k Ω	MCR03 Series	Rohm
11	RRT1	27k Ω	MCR03 Series	Rohm
12	RFL1	100k Ω	MCR03 Series	Rohm
13	RFL2	100k Ω	MCR03 Series	Rohm
14	CREG	2.2 μ F	GCM188C71A225KE01	murata
15	CBOOT	0.1 μ F	GCM155R71H104KE37	murata
16	RBOOT	Short	—	—
17	L1	22 μ H	SLF12565T-220M3R5-PF	TDK
18	M1	—	RSS070N05	Rohm
19	—	—	—	—
20	D1	—	RB050L-40	Rohm
21	D2	—	RB050L-40	Rohm
22	COUT1	10 μ F	GCM32EC71H106KA01	murata
23	COUT2	10 μ F	GCM32EC71H106KA01	murata
24	COUT3	10 μ F	GCM32EC71H106KA01	murata
25	COUT4	10 μ F	GCM32EC71H106KA01	murata
26	ROVP1	30k Ω	MCR03 Series	Rohm
27	ROVP2	360k Ω	MCR03 Series	Rohm
28	RISSET1	100k Ω	MCR03 Series	Rohm
29	—	—	—	—

(Note) Above components should be changed by load or conditions.

Selection of Components Externally Connected

Follow the steps as shown below for selecting the external components.



1. Input Peak Current I_{L_Max} Computation

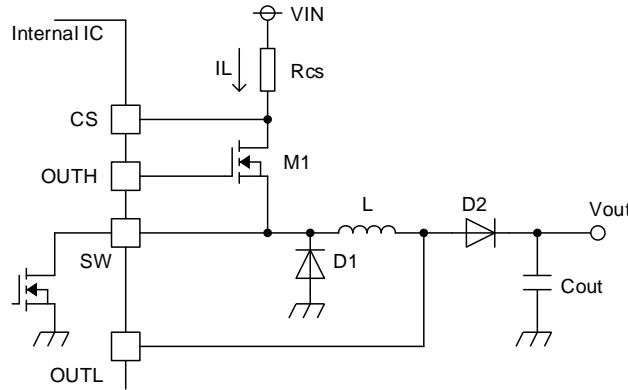


Figure 24. Output Application Circuit Diagram (In case of Buck-Boost application)

(1) Max Output Voltage (V_{out_Max}) Computation

Consider the VF variation and number of LED connection in series for V_{out_Max} derivation

$$V_{out_Max} = (V_F + \Delta V_F) \times N + 1.1V$$

V_{out_Max} [V]: Max Output Voltage
 V_F [V]: LED VF Voltage
 ΔV_F [V]: LED VF Voltage Variation
 N : LED series number

(2) Max Output Current I_{out_Max} Computation

$$I_{out_Max} = I_{LED} \times 1.05 \times M$$

I_{out_Max} [A]: Max Input Peak Current
 I_{LED} [A]: Output Current per Channel
 M : LED parallel number

(3) Max Input Peak Current I_{L_Max} Computation

$$I_{L_Max} = I_{L_AVG} + 1 / 2\Delta I_L$$

I_{L_Max} [A]: Max Input Peak Current
 I_{L_AVG} [A]: Max Input Average Current
 ΔI_L [A]: Input Current Amplification

(In case of Boost application)

$$I_{L_AVG} = V_{out_Max} \times I_{out_Max} / (\eta \times V_{CC})$$

$$\Delta I_L = \frac{V_{CC}}{L} \times \frac{1}{F_{osc}} \times \frac{V_{out_Max} - V_{CC}}{V_{out_Max}}$$

(In case of Buck-Boost application)

$$I_{L_AVG} = (V_{CC} + V_{out_Max}) \times I_{out_Max} / (\eta \times V_{CC})$$

$$\Delta I_L = \frac{V_{CC}}{L} \times \frac{1}{F_{osc}} \times \frac{V_{out_Max}}{V_{CC} + V_{out_Max}}$$

(In case of Buck application)

$$I_{L_AVG} = I_{out_Max} / \eta$$

$$\Delta I_L = \frac{V_{out}}{L} \times \frac{1}{F_{osc}} \times \frac{V_{CC} - V_{out_Max}}{V_{CC}}$$

V_{CC} [V]: Input Voltage
 F_{osc} [Hz]: Switching Frequency

η : Efficiency
 L [H]: Coil Value

The worst case for VIN is Minimum, so the Minimum value should be applied in the equation.

The current-mode Type of DC/DC convertor is adopted for BD81A24MUV-M/EFV-M, which is optimized with the use of therecommended L value in the design stage. This recommendation is based upon the efficiency as well as the stability. The L values outside this recommended range may cause irregular switching waveform and hence deteriorate stable operation. n (efficiency) becomes almost 80%.

2. Setting of Over-Current Protection (IOCP) Value

$$IOCP[A] = Vocp_Min[V](= 0.18V) \div Rcs[\Omega] > I_{L_Max}[A]$$

RCS should be selected by above equation.

3. Selection of the inductor

In order to achieve stable operation of the current mode DC/DC converter, we recommend selecting the L value in the range indicated below.

$$0.05[V/\mu s] < \frac{V_{out}[V] \times R_{cs}[\Omega]}{L[\mu H]} < 0.63 \times F_{osc}[MHz]$$

Since there is almost $\pm 30\%$ variation in the value of coil L, keep enough margin and set.

The smaller $\frac{V_{out}[V] \times R_{cs}[\Omega]}{L[\mu H]}$ allows stability improvement but slows down the response time.

If the condition of VCC is under 5V, please satisfy below equation when selecting the coil.

$$L[\mu H] < \frac{12 \times VCC[V] \times VCC[V] \times \eta}{V_{out}[V] \times I_{LED}[A] \times F_{osc}[MHz]}$$

The coil outside of above equations may cause Low LED brightness.

4. Selection of Coil L, Diode D1, D2, MOSFET M1, RCS and COUT

	Current Rating	Voltage Rating	Heat Loss
Coil L	> IL_Max	—	—
Diode D1	> IOCP	> VCC_Max	—
Diode D2	> IOCP	> Vovp_Max	—
MOSFET M1	> IOCP	> VCC_Max	—
Rcs	—	—	> $I_{ocp}^2 \times R_{cs}$
COUT	—	> Vovp_Max	—

Please consider external parts deviation and make the setting with enough margin.

In order to achieve fast switching, choose the MOSFET's with the smaller gate-capacitance.

5. Selection of Output Capacitor

Select the output capacitor COUT based on the requirement of the ripple voltage V_{outpp} .

$$V_{outpp}[V] = \frac{20 \times I_{LED}[A]}{F_{osc}[Hz] \times C_{out}[F] \times \eta} + \Delta I_L[A] \times R_{ESR}[\Omega]$$

Actually, VOUT ripple voltage is sensitive to PCB layout and external components characteristics. Therefore, when designing for mass-production, stability should be thoroughly investigated and confirmed in the actual physical design. Available Cout max value is 500 μ F.

6. Selection of Input Capacitor

We recommend an input capacitor greater than 10 μ F with the small ESR ceramic capacitor. The input capacitor outside of our recommendation may cause large ripple voltage at the input and hence lead to malfunction.

7. Selection of BOOT – SW capacitor

When using the Buck Boost application or Buck application, please input BOOT - SW capacitor 0.1 μ F.

8. Phase Characteristics adjustment

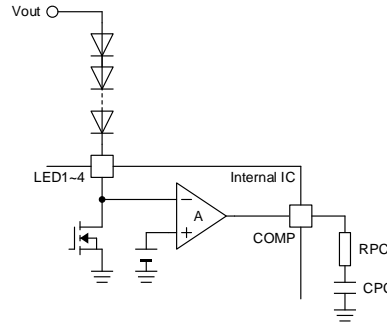


Figure 25. COMP terminal Application Circuit Diagram

About Application Stability Condition

The stability in LED voltage feedback system is achieved when the following conditions are met.

- (1) The phase delay when gain is 1(0dB) is below 150°C (or simply, phase margin >30°C).
- (2) The frequency (Unity Gain Frequency) when gain is 1(0dB) is <1/10 of switching frequency.

One way to assure stability based on phase margin adjustment is setting the Phase-lead fz close to switching frequency. In addition, the Phase-lag fp1 shall be decided based on COUT and Output impedance RL. Respective formula shall be as follows.

$$\text{Phase-lead } fz[Hz] = 1/(2\pi R_{pc}[\Omega]C_{pc}[F])$$

$$\text{Phase-lag } fp1[Hz] = 1/(2\pi R_L[\Omega]C_{out}[F])$$

(Note) The output impedance calculated from $RL = VOUT/IOUT$

Good stability would be obtained when the fz is set between 1kHz to 10kHz.

It is important to keep in Mind that these are very loose guidelines, and adjustments may have to be made to ensure stability in the actual circuitry. It is also important to note that stability characteristics can change greatly depending on factors such as substrate layout and load conditions. Therefore, when designing for mass-production, stability should be thoroughly investigated and confirmed in the actual physical design.

9. Setting of Over Voltage Protection(OVP)

Over voltage protection (OVP) is set from the external resistance ROVP1 and ROVP2.

The setting described below will be important in the either boost, buck, buck-boost applications.

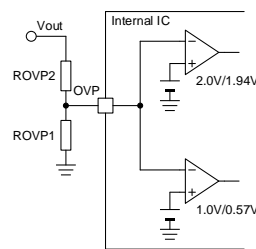


Figure 26. OVP Application Circuit

The OVP terminal detects the over voltage when at >2.0V (Typ) and stops the DC/DC switching. In addition, it detects the open condition when OVP terminal is at >2.0V (Typ) and LED1 to 4 pin voltage is at <0.3V (Typ), and the circuit is latched to OFF (Please refer to page 6, Protect Function). In preventing error in detection of OPEN, it is necessary that the resistor divide voltage of the maximum value of output voltage shall be less than the MIN value of OPEN detection voltage. Please set the ROVP1 and ROVP2 is such a way the formula shown below can be met.

$$Vout(Max)[V] \times \{ROVP1[\Omega]/(ROVP1[\Omega] + ROVP2[\Omega])\} < VOVPopen(Min)[V] \dots(1)$$

Vout: DC/DC Output Voltage

VOVPopen: OVP Pin Open Detection Voltage

Sample 1: When $V_f=3.2V\pm0.3V$ LED is used in 8series

$$Vout(Max)[V] = 1.1V(LED \text{ control voltage Max}) + (3.2V + 0.3V) \times 8 = 29.1V$$

Open Detection OVP Pin Voltage $VOVP_{open} (Min) = 1.9V$
 If ROVP1=20kΩ, please set by ROVP2 > 286.3kΩ from (1)

Sample 2: VF=3.2V±0.3V LED is used in 3series

$$V_{out}(Max)[V] = 1.1V(LED \text{ control voltage Max}) + (3.2V + 0.3V) \times 3 = 11.6V$$

Open Detection OVP Pin Voltage $VOVP_{open} (Min) = 1.9V$
 If ROVP1=20kΩ, please set by ROVP2 > 102.21kΩ from (1).

10. Setting of Soft Start time

The soft start circuit minimizes the coil current at the input and overshoot at the output voltage during the start-up condition. A capacitance in the range of 0.047 to 0.47μF is recommended. A capacitance of less than 0.047μF may cause overshoot at the output voltage. However, a capacitance greater than 0.47μF may cause massive reverse current through the parasitic elements when power supply is OFF and may damage the IC.

Soft start time TSS (Typ) is below.

$$TSS[s] = CSS[\mu F] \times 3.3[V] / 5[\mu A] \quad \text{CSS: The capacitance at SS terminal}$$

11. Check the Start up time

If the PWM duty at start up is small, the start up time is longer. If you want to setup the Startup Time shorter, small CPC value is available, but it needs phase margin check. Below data is PWM duty vs Startup Time of representative two conditions.

Condition 1 (Boost, below figure left side)

Vcc = 12V, Vout = 30V (assumed LED 8 series), RRT = 27kΩ (Fosc = 300kHz), CPC=0.01μF, RPC=5.1kΩ, CSS = 0.1μF, ROVP1 = 20kΩ, ROVP2 = 360kΩ

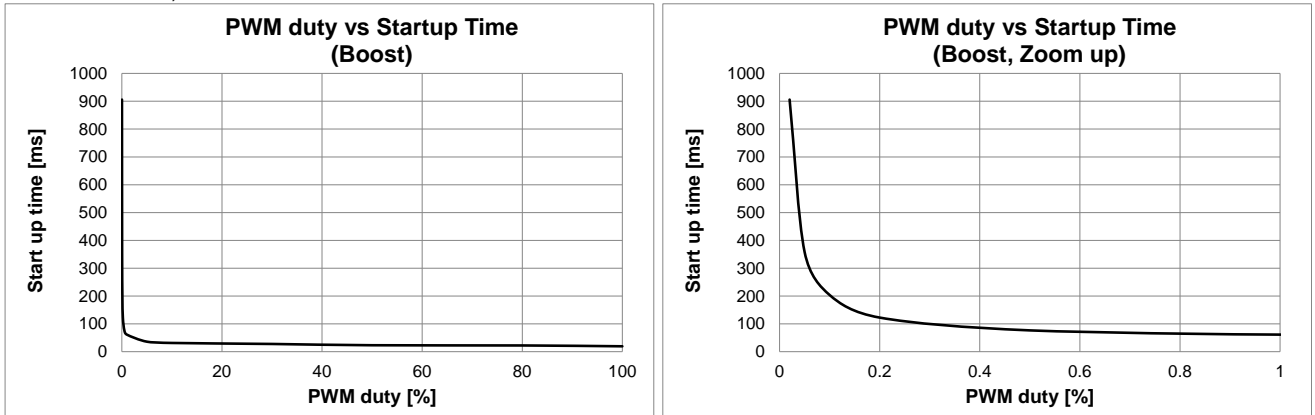


Figure 27. PWM Duty vs Startup Time (Boost)

Condition 2 (Buck Boost, below figure right side)

Vcc = 12V, Vout = 20V (assumed LED 5 series), RRT = 27kΩ (Fosc = 300kHz), CPC=0.01μF, RPC=5.1kΩ, CSS = 0.1μF, ROVP1 = 30kΩ, ROVP2 = 360kΩ

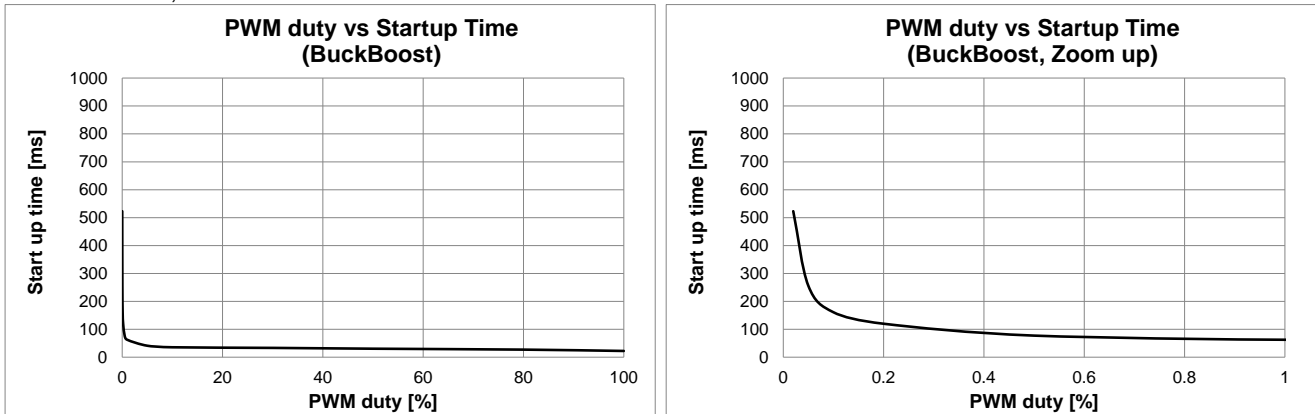


Figure 28. PWM Duty vs Startup Time (Buck Boost)

Above data is only reference data. Actual Startup Time depends on layout pattern, parts value and part characteristics, Please verify your design by the actual measurements.

12. EN restart check

EN restart when Vout voltage is remain, it possible to detect SCP. Please set the condition according to applications.

When use the Buck Boost or Buck application.

Please connect Vout and VDISC terminal and set EN=Low time refer to the below equation.

$$T_{disc}[s] = \frac{3 \times V_{out}[V] \times C_{out}[F]}{4 \times I_{DISC}[A]} < EN \text{ Low Time } [s]$$

Regarding Tdisc details, please refer P.8.

When use the Boost application.

Please adjust CSS and Cpc value according to below. If Cpc value is changed, phase margin will changed, and if CSS value is changed, start up time is changed. Please verifying by actual measurements.

$$T1[s] = \left(\frac{0.4 + 2.7 \times n - VCC[V]}{0.4 + 2.7 \times n} \times \frac{1}{F_{osc}[kHz] \times RRT[kHz] \times 138\mu} + 1.56 \right) \times C_{pc}[\mu F] / (0.46 \times Duty[\%])$$

$$T2[s] = CSS[\mu F] \times 0.61 + 29791 / F_{osc}[kHz]$$

Please adjust CSS and Cpc value with $T1[s] < T2[s]$

n: LED series number
RRT [kΩ]: RT resistance
CSS [μF]: SS capacitor

VCC [V]: Power supply
Cpc [μF]: COMP capacitor

Fosc [kHz]: DCDC Frequency
Duty [%]: PWM Duty

Ex.) n=7, Vcc=7V, Fosc=300kHz, RRT=27kΩ, Cpc=0.01μF, CSS=0.1μF, PWM Duty = 1%

$$T1[s] = \left(\frac{0.4 + 2.7 \times 7 - 7}{0.4 + 2.7 \times 7} \times \frac{1}{300 \times 27 \times 138\mu} + 1.56 \right) \times 0.01 / (0.46 \times 1) = 46.3ms$$

$$T2[s] = 0.1 \times 0.61 + \frac{29791}{300} = 99.4ms$$

$T1[s] < T2[s]$ This condition is OK.

13. Verification of the operation by taking measurements

The overall characteristics may change based on load current, input voltage, output voltage, inductance, load capacitance, switching frequency, and PCB layout. We strongly recommend verifying your design by the actual measurements.

I/O Recommended Operating Range

The I/O recommended operating range (V_{CC} vs V_{OUT}) is shown as follows.

The graphs below are the recommended operating range of output voltage (V_{OUT}) for the input voltage (V_{CC}). The data mentioned below is the reference data for ROHM evaluation board. So please always check the behavior of the evaluation board before using this IC.

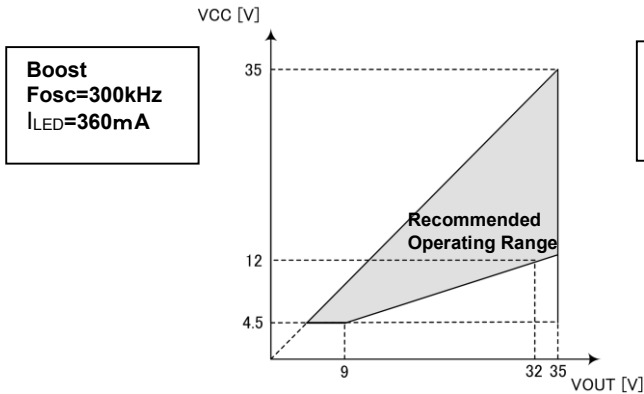


Figure 29. Boost, Fosc=300kHz, ILED=360mA

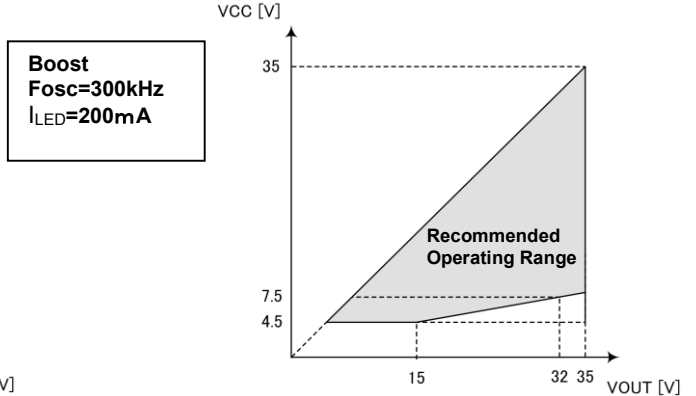


Figure 30. Boost, Fosc=300kHz, ILED=200mA

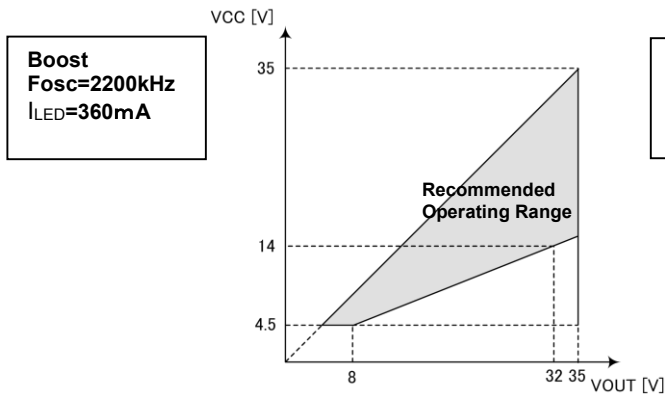


Figure 31. Boost, Fosc=2200kHz, ILED=360mA

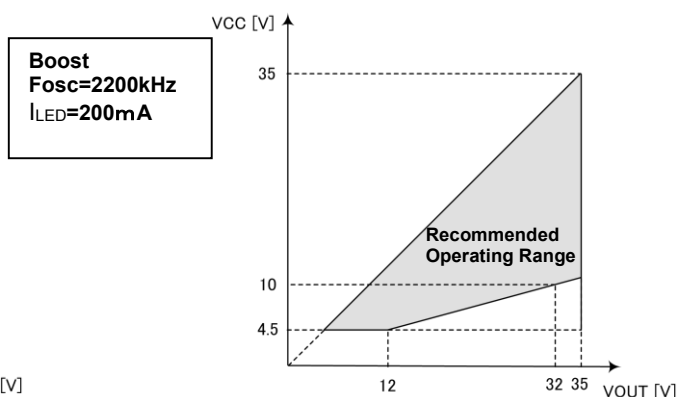


Figure 32. Boost, Fosc=2200kHz, ILED=200mA

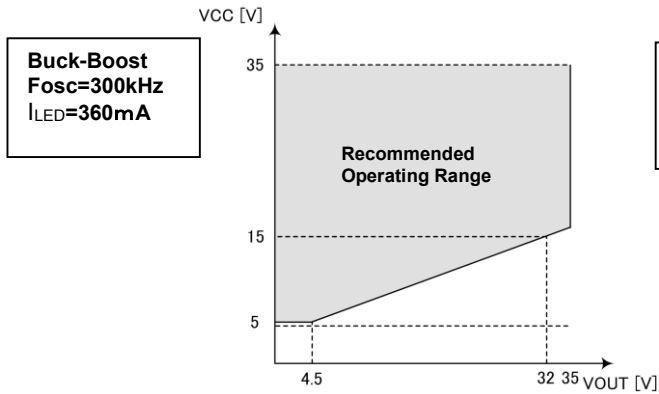


Figure 33. Buck-Boost, Fosc=300kHz, ILED=360mA

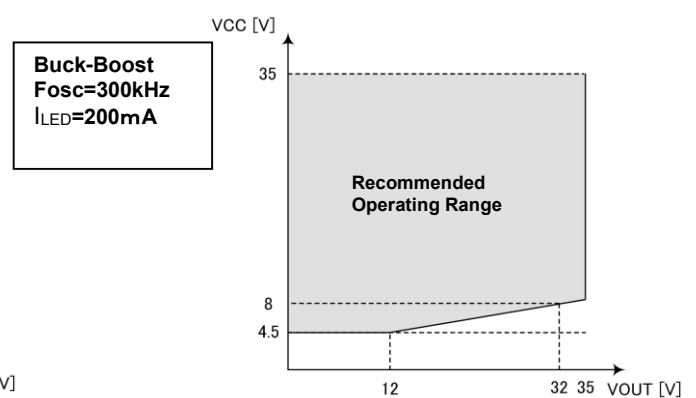


Figure 34. Buck-Boost, Fosc=300kHz, ILED=200mA

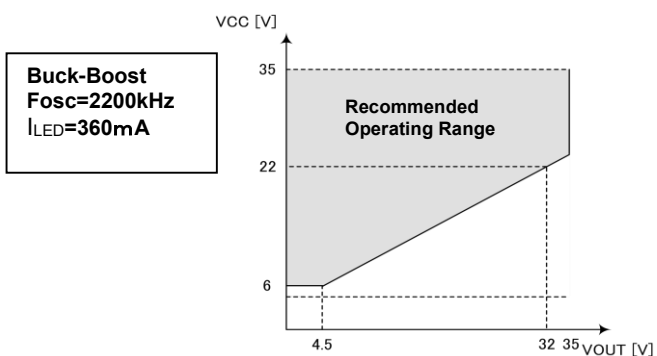


Figure 35. Buck-Boost, Fosc=2200kHz, ILED=360mA

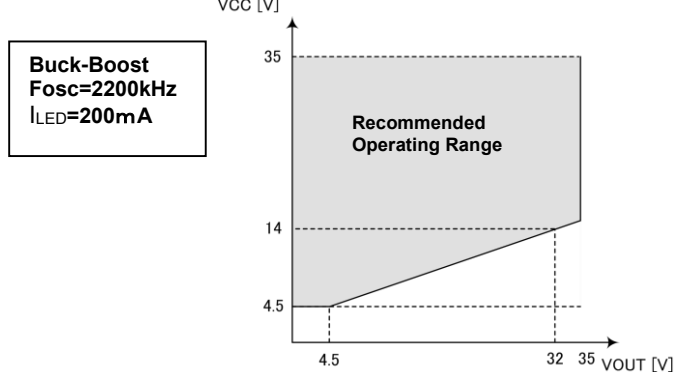


Figure 36. Buck-Boost, Fosc=2200kHz, ILED=200mA

Additional parts for EMC

1. This part adjusts "Slew Rate" of high side FET.
2. This part decreases noise of current loop of high side FET.
3. This part decreases spectrum of high frequency on power line.
4. This low Pass Filter decreases noise of power line.
5. This common mode filter decreases noise of power line.
6. This snubber circuit decreases spectrum of high frequency of low side FET.
7. This snubber circuit decreases ringing of switching for low side FET.

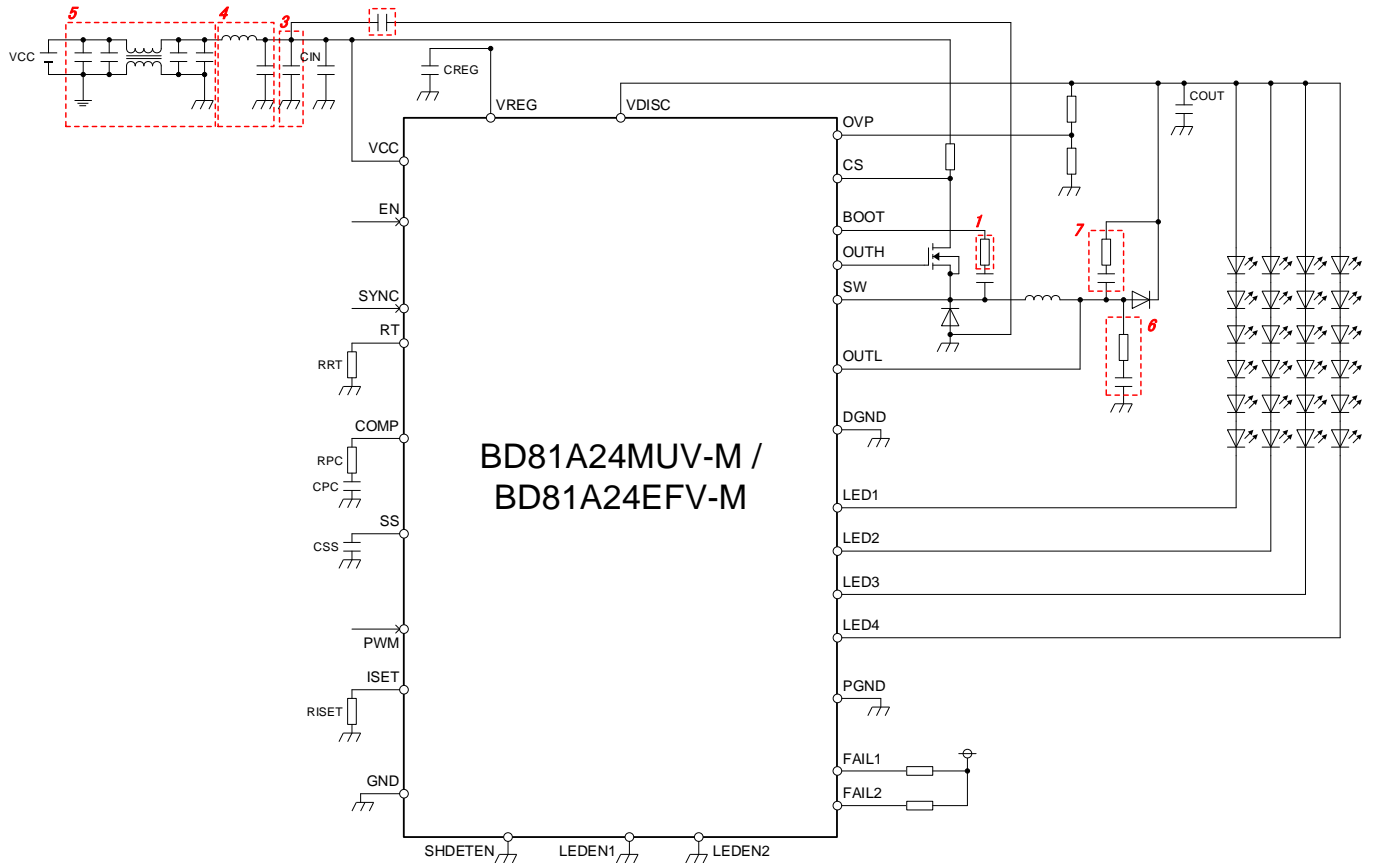


Figure 37. Application parts for EMC

Attention Point for PCB Layout

The layout pattern influences characteristic, such as efficiency and a ripple greatly. So, it is necessary to examine carefully about it. Boost DC/DC has "Loop1" (in the right side figure). Placement of these parts should be compact. And wiring should be low-impedance (e.g. Cout's GND and DGND should be very near). Also, Back-Boost DC/DC has "Loop2". Placement of these parts and wiring should be compact and low-impedance (e.g. Cin's GND and D1's GND should be very near).

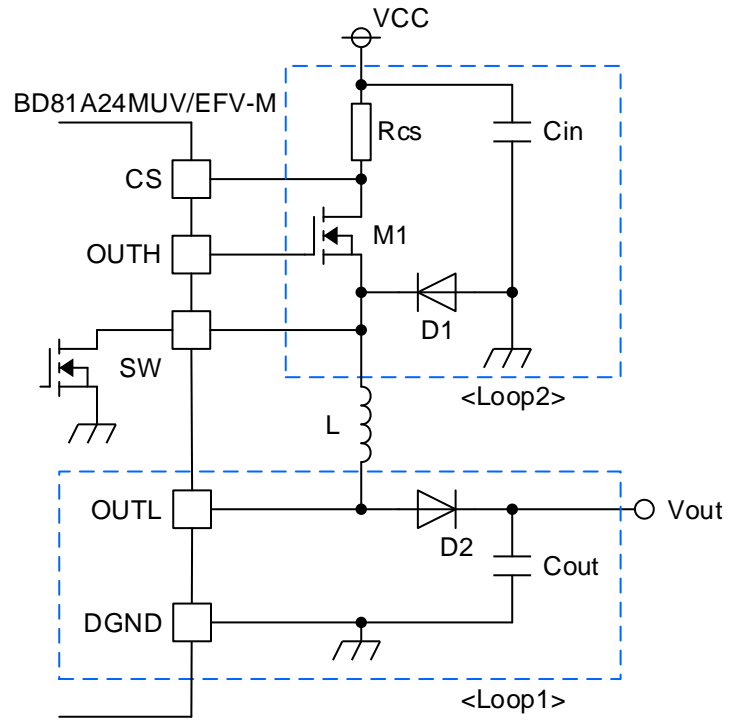


Figure 38. Circuit of DC/DC block

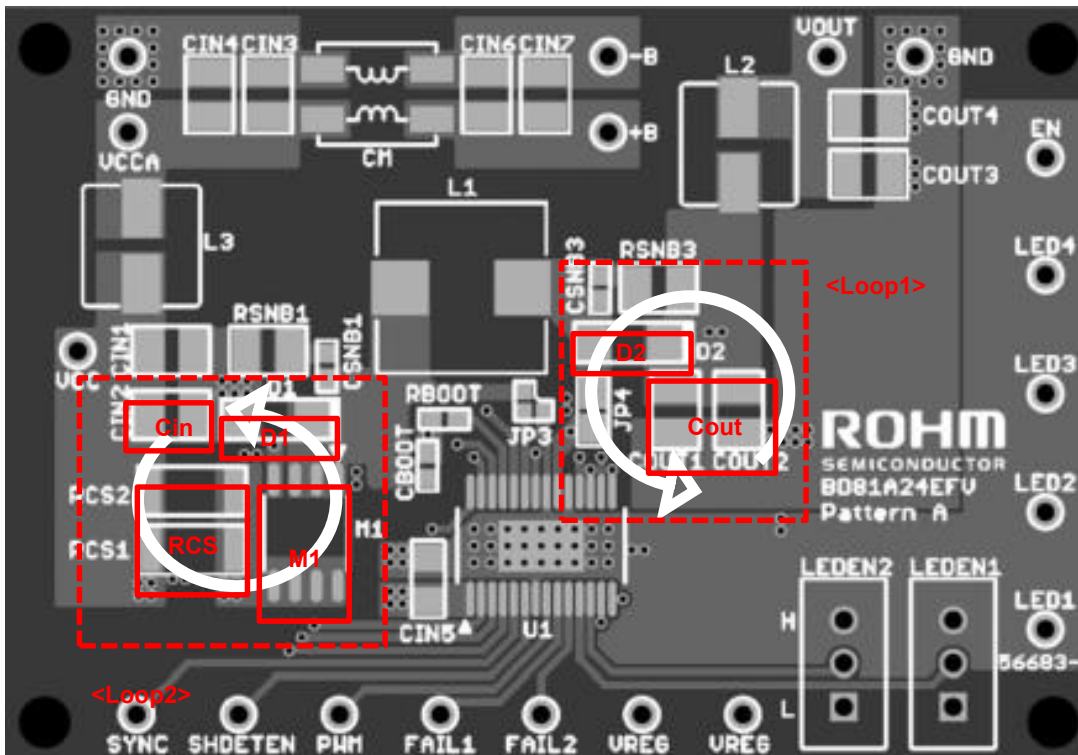


Figure 39. BD81A24EFV-M PCB TOP-layer

Calculation of Power Consumption (Case of Buck Boost application)

$$\begin{aligned}
 P_c &= I_{cc} \times V_{CC} && \cdot \cdot \cdot \textcircled{1} \text{Circuit Power} \\
 &+ C_{iss1} \times V_{REG} \times F_{sw} \times V_{REG} && \cdot \cdot \cdot \textcircled{2} \text{Boost FET Power} \\
 &+ C_{iss2} \times V_{REG} \times F_{sw} \times V_{REG} && \cdot \cdot \cdot \textcircled{3} \text{Buck FET Power} \\
 &+ \{V_{LED} \times M + \Delta V_f \times (M - 1)\} \times I_{LED} && \cdot \cdot \cdot \textcircled{4} \text{Current Driver Power} \\
 &+ R_{onFET} \times I_{FET} \times I_{FET} && \cdot \cdot \cdot \textcircled{5} \text{Built-in Boost FET Power} \\
 I_{L_AVG} &= (V_{CC} + V_{out}) \times I_{out} / (\eta \times V_{CC}) && \cdot \cdot \cdot \textcircled{6} \text{Inductance Average Current} \\
 I_{out} &= I_{LED} \times 1.05 \times M && \cdot \cdot \cdot \textcircled{7} \text{LED Output Current} \\
 V_{out} &= (V_f + \Delta V_f) \times N + V_{LED} && \cdot \cdot \cdot \textcircled{8} \text{DC/DC Output Voltage} \\
 I_{FET} &= I_{L_AVG} \times V_{out} / (V_{CC} + V_{out}) && \cdot \cdot \cdot \textcircled{9} \text{Built-in Boost FET Current}
 \end{aligned}$$

P_c [W]	∴ IC Power Consumption	I_{cc} [A]	∴ Max Circuit Current	V_{CC} [V]	∴ Power Supply Voltage
C_{iss1} [F]	∴ Boost FET Gate Capacitance	C_{iss2} [F]	∴ Buck FET Gate Capacity	V_{REG} [V]	∴ VREG Voltage
F_{sw} [Hz]	∴ Switching Frequency	V_{LED} [V]	∴ LED Control Voltage	I_{LED} [A]	∴ LED Output Current
N	∴ Number of LED in series	M	∴ Number of LED Parallel	V_f [V]	∴ LED Forward Voltage
ΔV_f [V]	∴ LED V_f tolerance	R_{onFET} [Ω]	∴ Boost FET ON Resistance	η	∴ Efficiency

<Sample Calculation>

Buck Boost application, $I_{cc}=10\text{mA}$, $V_{CC}=12\text{V}$, $C_{iss1}=65\text{pF}$, $C_{iss2}=2000\text{pF}$, $V_{REG}=5\text{V}$, $F_{sw}=2200\text{kHz}$, $V_{LED}=1\text{V}$, $I_{LED}=50\text{mA}$, $N=7$, $M=4$, $V_f=3.5\text{V}$, $\Delta V_f=0.5\text{V}$, $\eta=80\%$, $R_{onFET}=0.8\Omega$

$$V_{out} = (3.5\text{V} + 0.5\text{V}) \times 7 \text{ series} + 1\text{V} = 29\text{V}$$

$$I_{out} = 50\text{mA} \times 1.05 \times 4 \text{ parallel} = 0.21\text{A}$$

$$I_{L_AVG} = (12 + 29\text{V})/12\text{V} \times 0.21\text{A}/0.8 = 0.897\text{A}$$

$$I_{FET} = 0.897\text{A} \times 29\text{V}/(12\text{V} + 29\text{V}) = 0.634\text{A}$$

$$P_c = 10\text{mA} \times 12\text{V} + 65\text{pF} \times 5\text{V} \times 2200\text{kHz} \times 5\text{V} + 2000\text{pF} \times 5\text{V} \times 2200\text{kHz} \times 5\text{V} + \{1.0\text{V} \times 4 + 0.5\text{V} \times (4 - 1)\} \times 50\text{mA} + 0.8\Omega \times 0.634\text{A} \times 0.634\text{A} = 0.830[\text{W}]$$

The above mentioned is a simple calculation and sometimes the value may differ from the actual value.

I/O Equivalence Circuit

<p>SS</p>	<p>COMP</p>	<p>RT</p>
<p>SYNC,PWM</p>	<p>SHDETEN,LEDEN1,LEDEN2</p>	<p>FAIL1,FAIL2</p>
<p>LED1~4</p>	<p>OVP</p>	<p>ISET</p>
<p>OUTL</p>	<p>VDISC</p>	<p>SW</p>
<p>OUTH</p>	<p>BOOT</p>	<p>VREG</p>
<p>EN</p>	<p>CS</p>	

All values are Typ value.

Operational Notes

1. Reverse Connection of Power Supply

Connecting the power supply in reverse polarity can damage the IC. Take precautions against reverse polarity when connecting the power supply, such as mounting an external diode between the power supply and the IC's power supply pins.

2. Power Supply Lines

Design the PCB layout pattern to provide low impedance supply lines. Furthermore, connect a capacitor to ground at all power supply pins. Consider the effect of temperature and aging on the capacitance value when using electrolytic capacitors.

3. Ground Voltage

Ensure that no pins are at a voltage below that of the ground pin at any time, even during transient condition.

4. Ground Wiring Pattern

When using both small-signal and large-current ground traces, the two ground traces should be routed separately but connected to a single ground at the reference point of the application board to avoid fluctuations in the small-signal ground caused by large currents. Also ensure that the ground traces of external components do not cause variations on the ground voltage. The ground lines must be as short and thick as possible to reduce line impedance.

5. Thermal Consideration

Should by any chance the power dissipation rating be exceeded the rise in temperature of the chip may result in deterioration of the properties of the chip. In case of exceeding this absolute maximum rating, increase the board size and copper area to prevent exceeding the Pd rating.

6. Recommended Operating Conditions

These conditions represent a range within which the expected characteristics of the IC can be approximately obtained. The electrical characteristics are guaranteed under the conditions of each parameter.

7. Inrush Current

When power is first supplied to the IC, it is possible that the internal logic may be unstable and inrush current may flow instantaneously due to the internal powering sequence and delays, especially if the IC has more than one power supply. Therefore, give special consideration to power coupling capacitance, power wiring, width of ground wiring, and routing of connections.

8. Operation Under Strong Electromagnetic Field

Operating the IC in the presence of a strong electromagnetic field may cause the IC to malfunction.

9. Testing on Application Boards

When testing the IC on an application board, connecting a capacitor directly to a low-impedance output pin may subject the IC to stress. Always discharge capacitors completely after each process or step. The IC's power supply should always be turned off completely before connecting or removing it from the test setup during the inspection process. To prevent damage from static discharge, ground the IC during assembly and use similar precautions during transport and storage.

10. Inter-pin Short and Mounting Errors

Ensure that the direction and position are correct when mounting the IC on the PCB. Incorrect mounting may result in damaging the IC. Avoid nearby pins being shorted to each other especially to ground, power supply and output pin. Inter-pin shorts could be due to many reasons such as metal particles, water droplets (in very humid environment) and unintentional solder bridge deposited in between pins during assembly to name a few.

11. Unused Input Pins

Input pins of an IC are often connected to the gate of a MOS transistor. The gate has extremely high impedance and extremely low capacitance. If left unconnected, the electric field from the outside can easily charge it. The small charge acquired in this way is enough to produce a significant effect on the conduction through the transistor and cause unexpected operation of the IC. So unless otherwise specified, unused input pins should be connected to the power supply or ground line.

Operational Notes – continued

12. Regarding the Input Pin of the IC

This monolithic IC contains P+ isolation and P substrate layers between adjacent elements in order to keep them isolated. P-N junctions are formed at the intersection of the P layers with the N layers of other elements, creating a parasitic diode or transistor. For example (refer to figure below):

- When $GND > Pin\ A$ and $GND > Pin\ B$, the P-N junction operates as a parasitic diode.
- When $GND > Pin\ B$, the P-N junction operates as a parasitic transistor.

Parasitic diodes inevitably occur in the structure of the IC. The operation of parasitic diodes can result in mutual interference among circuits, operational faults, or physical damage. Therefore, conditions that cause these diodes to operate, such as applying a voltage lower than the GND voltage to an input pin (and thus to the P substrate) should be avoided.

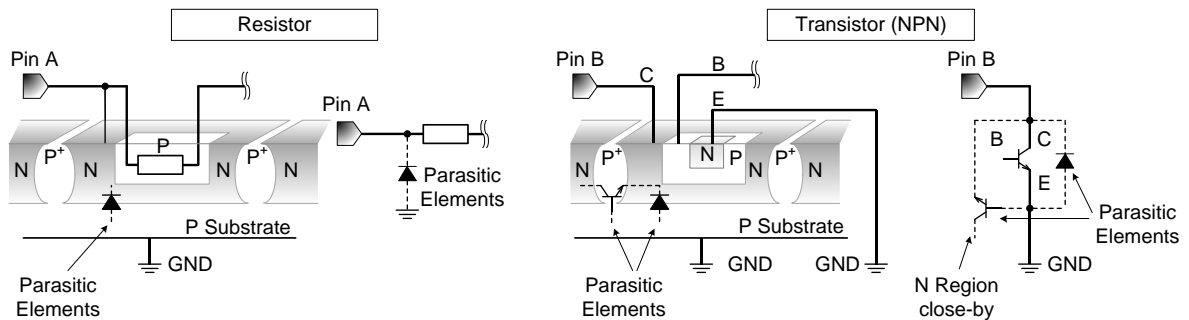


Figure 40. Example of monolithic IC structure

13. Ceramic Capacitor

When using a ceramic capacitor, determine the dielectric constant considering the change of capacitance with temperature and the decrease in nominal capacitance due to DC bias and others.

14. Area of Safe Operation (ASO)

Operate the IC such that the output voltage, output current, and power dissipation are all within the Area of Safe Operation (ASO).

15. Thermal Shutdown Circuit(TSD)

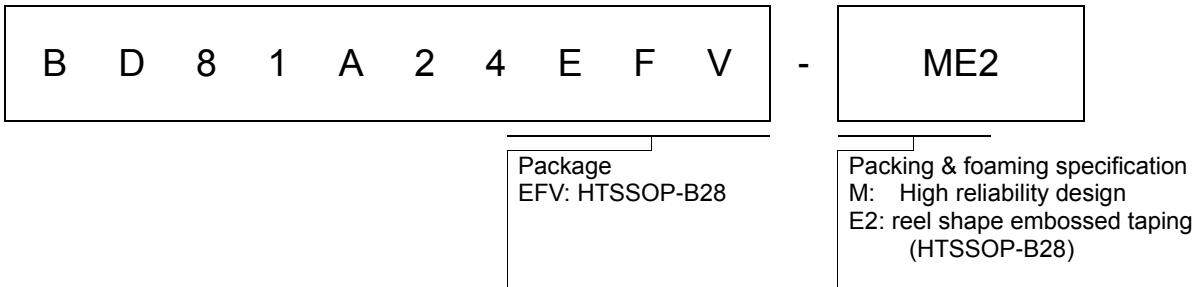
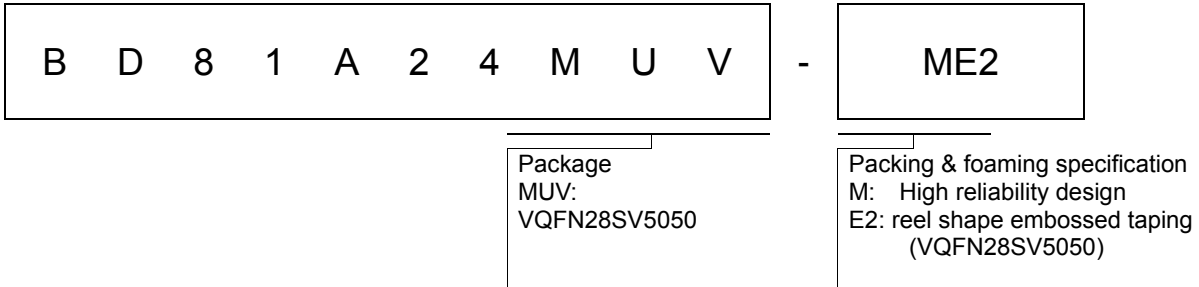
This IC has a built-in thermal shutdown circuit that prevents heat damage to the IC. Normal operation should always be within the IC's power dissipation rating. If however the rating is exceeded for a continued period, the junction temperature (T_j) will rise which will activate the TSD circuit that will turn OFF all output pins. When the T_j falls below the TSD threshold, the circuits are automatically restored to normal operation.

Note that the TSD circuit operates in a situation that exceeds the absolute maximum ratings and therefore, under no circumstances, should the TSD circuit be used in a set design or for any purpose other than protecting the IC from heat damage.

16. Over Current Protection Circuit (OCP)

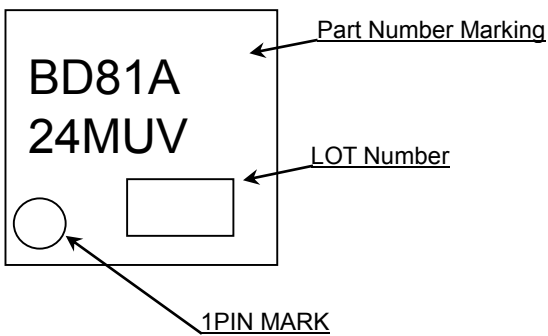
This IC incorporates an integrated overcurrent protection circuit that is activated when the load is shorted. This protection circuit is effective in preventing damage due to sudden and unexpected incidents. However, the IC should not be used in applications characterized by continuous operation or transitioning of the protection circuit.

Ordering Information

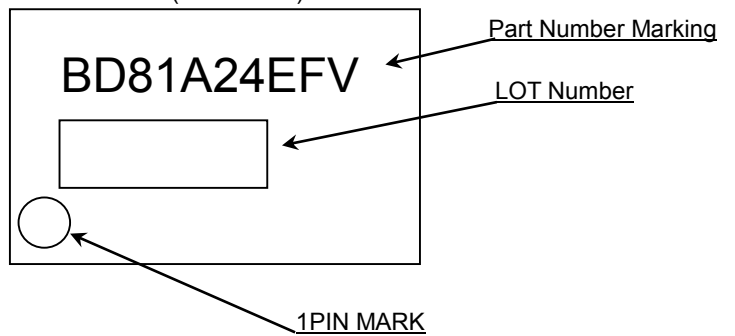


Marking Diagram

VQFN28SV5050 (TOP VIEW)



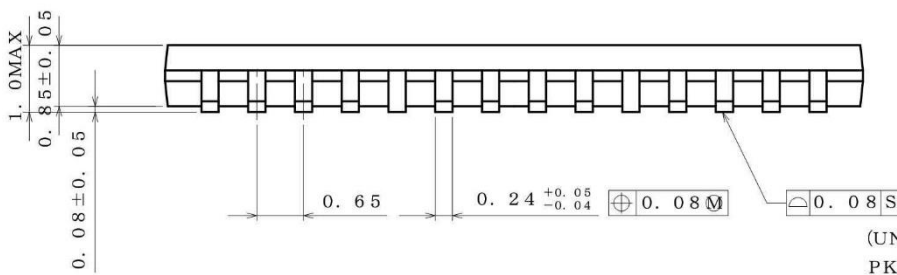
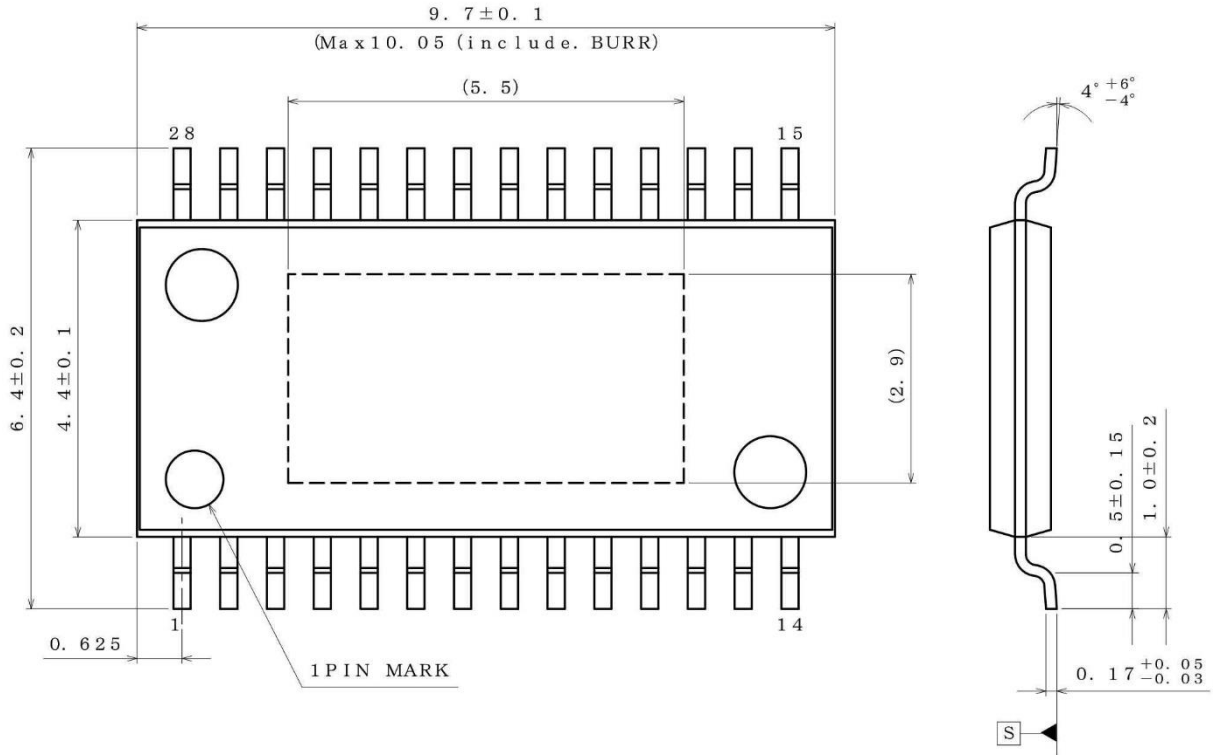
HTSSOP-B28 (TOP VIEW)



Part Number Marking	Package	Orderable Part Number
BD81A24MUV	VQFN28SV5050	BD81A24MUV-ME2
BD81A24EFV	HTSSOP-B28	BD81A24EFV-ME2

Physical Dimension, Tape and Reel Information (BD81A24EFV-M)

Package Name	HTSSOP-B28
--------------	------------



(UNIT : mm)
 PKG : HTSSOP-B28
 Drawing No. EX199-5002-1

<Tape and Reel information>

Tape	Embossed carrier tape (with dry pack)
Quantity	2500pcs
Direction of feed	E2 (The direction is the 1pin of product is at the upper left when you hold reel on the left hand and you pull out the tape on the right hand)

Revision History

Date	Revision	Changes
8.Feb.2016	001	New
26.Apr.2016	002	<p>P.9 Absolute Maximum Ratings PWM, SYNC and EN terminal. Before : -0.3 to +7 < VCC After : -0.3 to +7</p> <p>P.10 Thermal Resistance 2 internal layers / Copper Pattern, Bottom / Copper Pattern Before : 74.2mm²(Square) After : 74.2mm x 74.2mm</p> <p>P.30 I/O Equivalence Circuit Change RT, OUTH and EN terminal.</p>
19.Oct.2016	003	P.12 Change the PWM Frequency Limit Max value 15kHz to 20kHz.
22.Dec.2017	004	<p>P.1 General Description Change to "Light modulation (10,000:1@100Hz dimming function) is possible by PWM input."</p> <p>P.1 Features Change to "10,000:1 PWM dimming @100Hz".</p> <p>P.12 PWM Minimum Pulse Width, Conditions Change to "f_{PWM}=100Hz to 20kHz".</p> <p>P.12 PWM Frequency, Min Change to "0.1kHz".</p>

Notice

Precaution on using ROHM Products

1. If you intend to use our Products in devices requiring extremely high reliability (such as medical equipment ^(Note 1), aircraft/spacecraft, nuclear power controllers, etc.) and whose malfunction or failure may cause loss of human life, bodily injury or serious damage to property ("Specific Applications"), please consult with the ROHM sales representative in advance. Unless otherwise agreed in writing by ROHM in advance, ROHM shall not be in any way responsible or liable for any damages, expenses or losses incurred by you or third parties arising from the use of any ROHM's Products for Specific Applications.

(Note1) Medical Equipment Classification of the Specific Applications

JAPAN	USA	EU	CHINA
CLASS III	CLASS III	CLASS II b	CLASS III
CLASS IV		CLASS III	

2. ROHM designs and manufactures its Products subject to strict quality control system. However, semiconductor products can fail or malfunction at a certain rate. Please be sure to implement, at your own responsibilities, adequate safety measures including but not limited to fail-safe design against the physical injury, damage to any property, which a failure or malfunction of our Products may cause. The following are examples of safety measures:
 - [a] Installation of protection circuits or other protective devices to improve system safety
 - [b] Installation of redundant circuits to reduce the impact of single or multiple circuit failure
3. Our Products are not designed under any special or extraordinary environments or conditions, as exemplified below. Accordingly, ROHM shall not be in any way responsible or liable for any damages, expenses or losses arising from the use of any ROHM's Products under any special or extraordinary environments or conditions. If you intend to use our Products under any special or extraordinary environments or conditions (as exemplified below), your independent verification and confirmation of product performance, reliability, etc. prior to use, must be necessary:
 - [a] Use of our Products in any types of liquid, including water, oils, chemicals, and organic solvents
 - [b] Use of our Products outdoors or in places where the Products are exposed to direct sunlight or dust
 - [c] Use of our Products in places where the Products are exposed to sea wind or corrosive gases, including Cl₂, H₂S, NH₃, SO₂, and NO₂
 - [d] Use of our Products in places where the Products are exposed to static electricity or electromagnetic waves
 - [e] Use of our Products in proximity to heat-producing components, plastic cords, or other flammable items
 - [f] Sealing or coating our Products with resin or other coating materials
 - [g] Use of our Products without cleaning residue of flux (even if you use no-clean type fluxes, cleaning residue of flux is recommended); or Washing our Products by using water or water-soluble cleaning agents for cleaning residue after soldering
 - [h] Use of the Products in places subject to dew condensation
4. The Products are not subject to radiation-proof design.
5. Please verify and confirm characteristics of the final or mounted products in using the Products.
6. In particular, if a transient load (a large amount of load applied in a short period of time, such as pulse. is applied, confirmation of performance characteristics after on-board mounting is strongly recommended. Avoid applying power exceeding normal rated power; exceeding the power rating under steady-state loading condition may negatively affect product performance and reliability.
7. De-rate Power Dissipation depending on ambient temperature. When used in sealed area, confirm that it is the use in the range that does not exceed the maximum junction temperature.
8. Confirm that operation temperature is within the specified range described in the product specification.
9. ROHM shall not be in any way responsible or liable for failure induced under deviant condition from what is defined in this document.

Precaution for Mounting / Circuit board design

1. When a highly active halogenous (chlorine, bromine, etc.) flux is used, the residue of flux may negatively affect product performance and reliability.
2. In principle, the reflow soldering method must be used on a surface-mount products, the flow soldering method must be used on a through hole mount products. If the flow soldering method is preferred on a surface-mount products, please consult with the ROHM representative in advance.

For details, please refer to ROHM Mounting specification

Precautions Regarding Application Examples and External Circuits

1. If change is made to the constant of an external circuit, please allow a sufficient margin considering variations of the characteristics of the Products and external components, including transient characteristics, as well as static characteristics.
2. You agree that application notes, reference designs, and associated data and information contained in this document are presented only as guidance for Products use. Therefore, in case you use such information, you are solely responsible for it and you must exercise your own independent verification and judgment in the use of such information contained in this document. ROHM shall not be in any way responsible or liable for any damages, expenses or losses incurred by you or third parties arising from the use of such information.

Precaution for Electrostatic

This Product is electrostatic sensitive product, which may be damaged due to electrostatic discharge. Please take proper caution in your manufacturing process and storage so that voltage exceeding the Products maximum rating will not be applied to Products. Please take special care under dry condition (e.g. Grounding of human body / equipment / solder iron, isolation from charged objects, setting of Ionizer, friction prevention and temperature / humidity control).

Precaution for Storage / Transportation

1. Product performance and soldered connections may deteriorate if the Products are stored in the places where:
 - [a] the Products are exposed to sea winds or corrosive gases, including Cl₂, H₂S, NH₃, SO₂, and NO₂
 - [b] the temperature or humidity exceeds those recommended by ROHM
 - [c] the Products are exposed to direct sunshine or condensation
 - [d] the Products are exposed to high Electrostatic
2. Even under ROHM recommended storage condition, solderability of products out of recommended storage time period may be degraded. It is strongly recommended to confirm solderability before using Products of which storage time is exceeding the recommended storage time period.
3. Store / transport cartons in the correct direction, which is indicated on a carton with a symbol. Otherwise bent leads may occur due to excessive stress applied when dropping of a carton.
4. Use Products within the specified time after opening a humidity barrier bag. Baking is required before using Products of which storage time is exceeding the recommended storage time period.

Precaution for Product Label

A two-dimensional barcode printed on ROHM Products label is for ROHM's internal use only.

Precaution for Disposition

When disposing Products please dispose them properly using an authorized industry waste company.

Precaution for Foreign Exchange and Foreign Trade act

Since concerned goods might be fallen under listed items of export control prescribed by Foreign exchange and Foreign trade act, please consult with ROHM in case of export.

Precaution Regarding Intellectual Property Rights

1. All information and data including but not limited to application example contained in this document is for reference only. ROHM does not warrant that foregoing information or data will not infringe any intellectual property rights or any other rights of any third party regarding such information or data.
2. ROHM shall not have any obligations where the claims, actions or demands arising from the combination of the Products with other articles such as components, circuits, systems or external equipment (including software).
3. No license, expressly or implied, is granted hereby under any intellectual property rights or other rights of ROHM or any third parties with respect to the Products or the information contained in this document. Provided, however, that ROHM will not assert its intellectual property rights or other rights against you or your customers to the extent necessary to manufacture or sell products containing the Products, subject to the terms and conditions herein.

Other Precaution

1. This document may not be reprinted or reproduced, in whole or in part, without prior written consent of ROHM.
2. The Products may not be disassembled, converted, modified, reproduced or otherwise changed without prior written consent of ROHM.
3. In no event shall you use in any way whatsoever the Products and the related technical information contained in the Products or this document for any military purposes, including but not limited to, the development of mass-destruction weapons.
4. The proper names of companies or products described in this document are trademarks or registered trademarks of ROHM, its affiliated companies or third parties.

General Precaution

1. Before you use our Products, you are requested to carefully read this document and fully understand its contents. ROHM shall not be in any way responsible or liable for failure, malfunction or accident arising from the use of any ROHM's Products against warning, caution or note contained in this document.
2. All information contained in this document is current as of the issuing date and subject to change without any prior notice. Before purchasing or using ROHM's Products, please confirm the latest information with a ROHM sales representative.
3. The information contained in this document is provided on an "as is" basis and ROHM does not warrant that all information contained in this document is accurate and/or error-free. ROHM shall not be in any way responsible or liable for any damages, expenses or losses incurred by you or third parties resulting from inaccuracy or errors of or concerning such information.