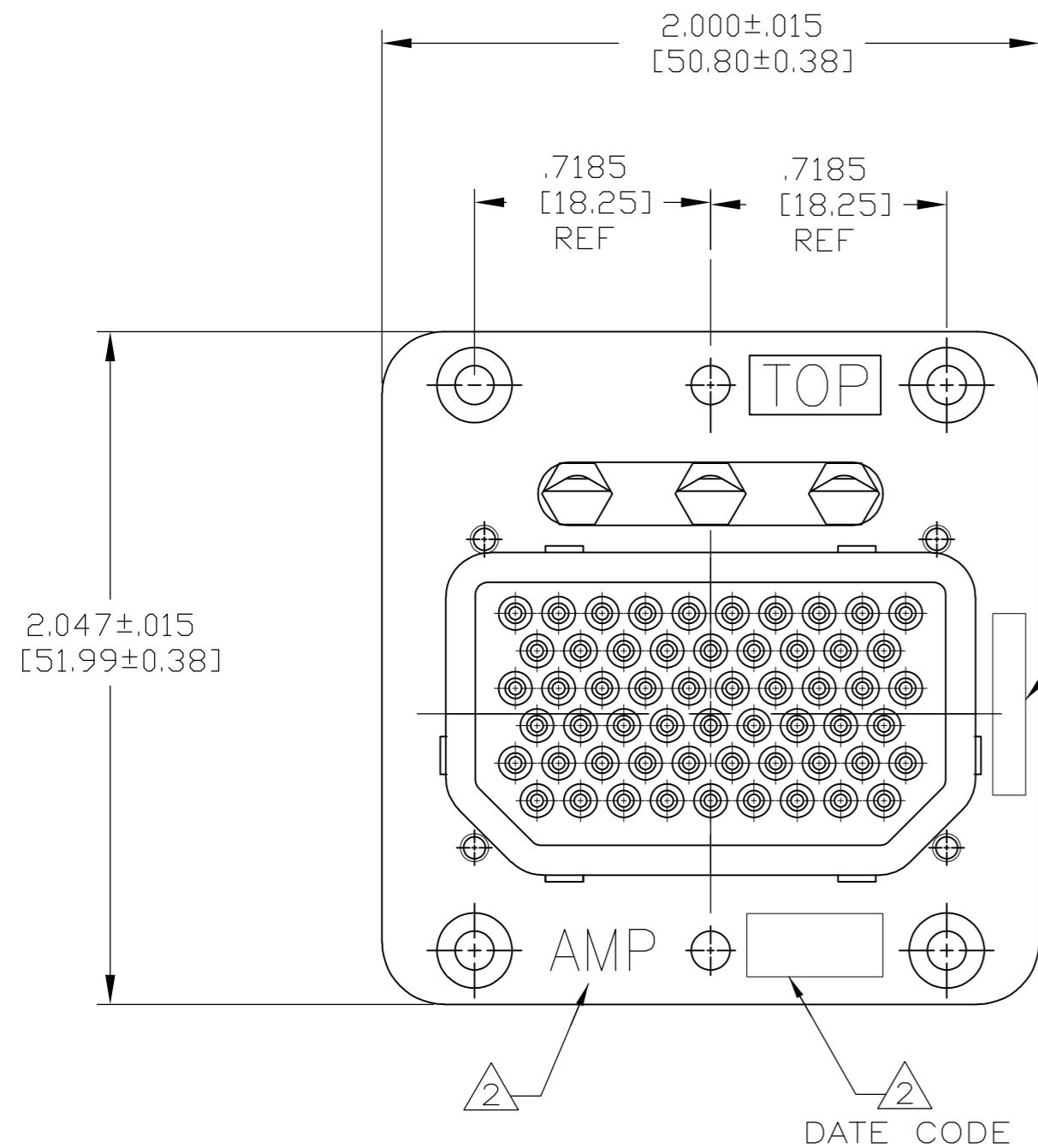
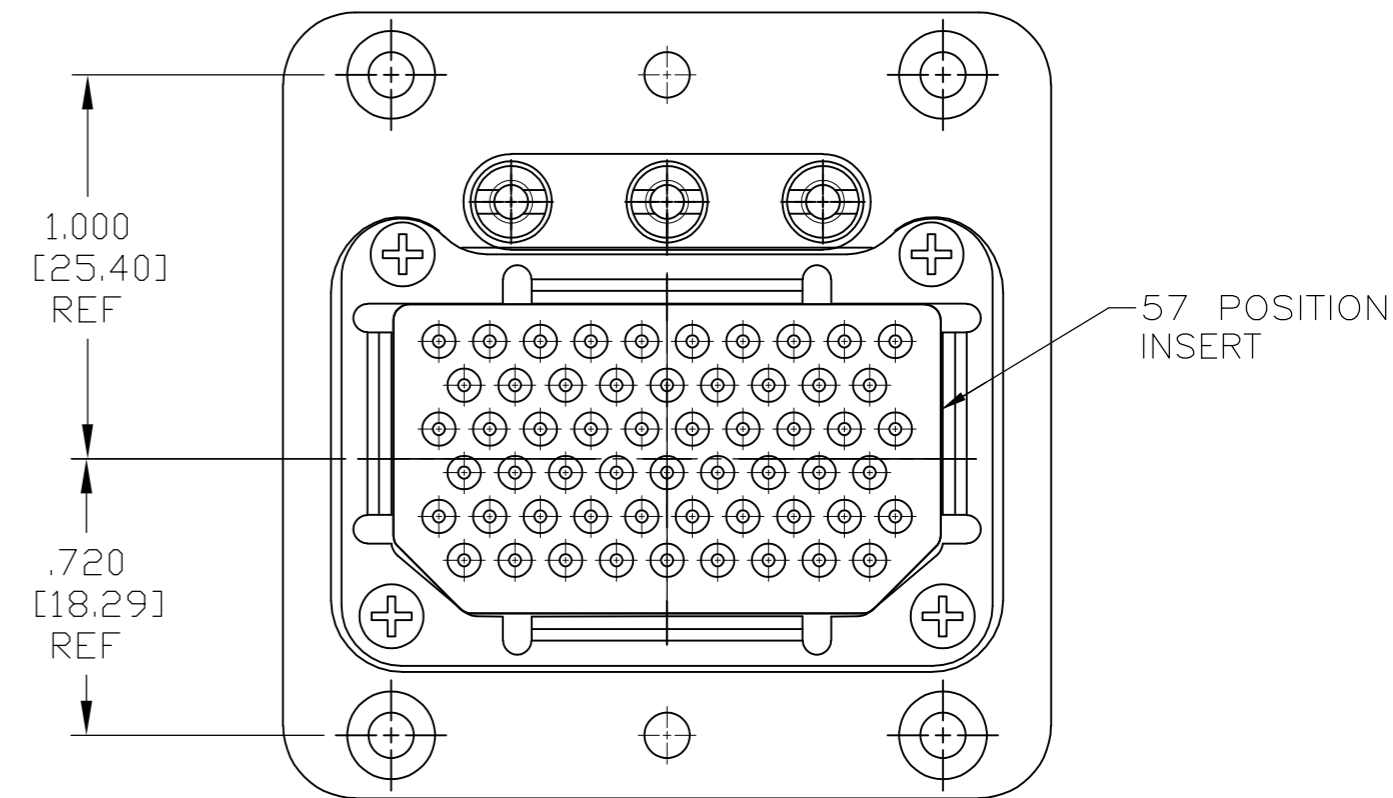
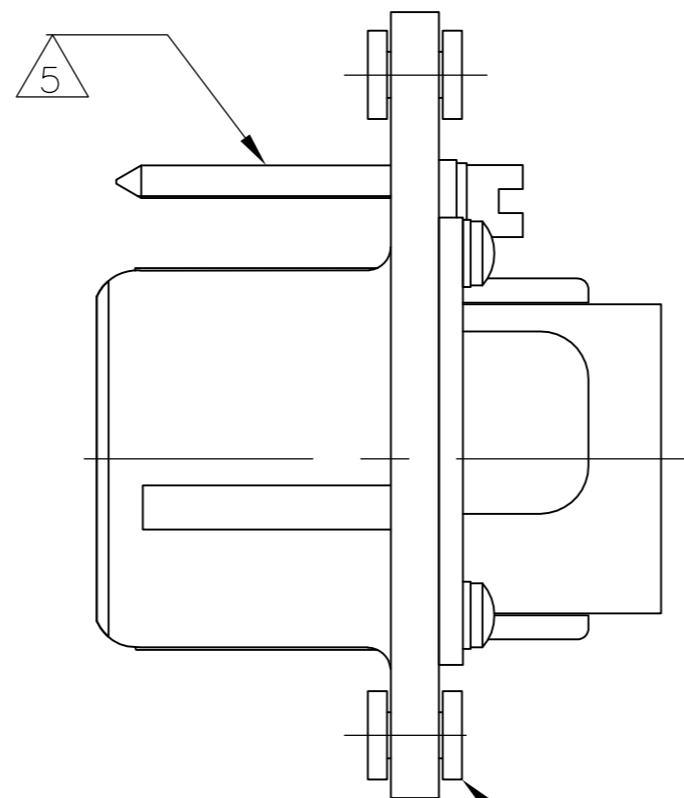


THIS DRAWING IS UNPUBLISHED. RELEASED FOR PUBLICATION
 © COPYRIGHT - By - ALL RIGHTS RESERVED.

LOC		DIST		REVISIONS			
P	LTR	DESCRIPTION		DATE	DWN	APVD	
-	-	C		REVISED PER ECO-15-011840	17NOV15	RS	CT



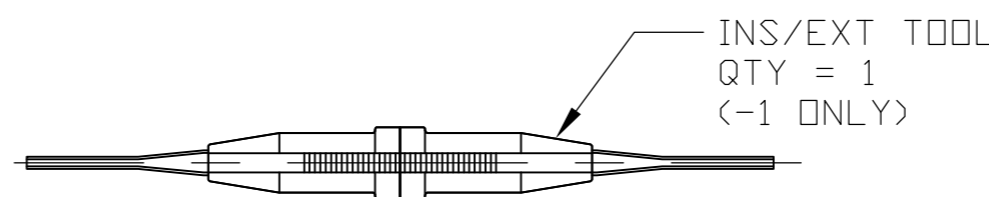
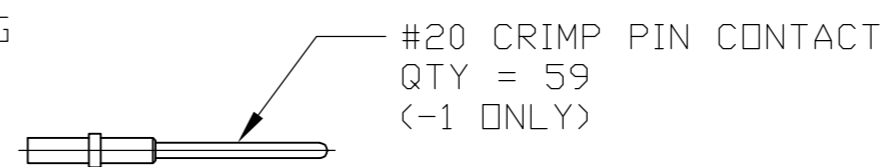
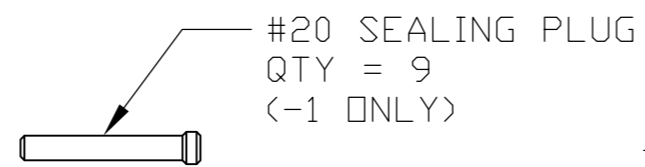
1 DESCRIPTIVE AND TE PART NUMBER



FLOAT BUSHINGS INSTALLED ON -1 ONLY

1218638-1 SHOWN

- 1 TE PART NO. AND DESCRIPTIVE PART NO. MARKED IN THIS AREA.
- 2 "AMP" AND DATE CODE MARKED IN THIS AREA.
- 3. KEYING ASSEMBLED IN THE "01" POSITION.
- 4. MATERIAL AND FINISH:
 SHELL: DIE CAST ALUMINUM ALLOY PER SPEC QQ-A-591.
 STANDARD FINISH: CADMIUM PLATE PER QQ-P-416, TYPE I, CLASS 2 YELLOW CHROMATE CONVERSION.
 INSERT RETENTION PLATE: ALUMINUM ALLOY, BLUE ANODIZE PER MIL-A-8625.
 SCREWS AND WASHERS: STAINLESS STEEL, PASSIVATED.
 POLARIZING POSTS: STAINLESS STEEL, PASSIVATED.
 POLARIZING NUTS: BRASS, CADMIUM PLATED.
- 5 KEYING POSTS NOT ASSEMBLED AND PACKAGED SEPARATELY. (-2 & -3)
- 6 1218638-2 SUPPLIED WITH 59 SIZE 20 SOCKET CONTACTS.
- 7 1218638-3 SUPPLIED WITH 66 SIZE 20 SOCKET CONTACTS.



OBsolete	5 7	M1P67S-00 (206)	1218638-3
OBsolete	5 6	M1P57S-00 (206)	1218638-2
		MME1P57P-2301 (204)	1218638-1
REMARKS		DESCRIPTIVE NO.	PART NO.

THIS DRAWING IS A CONTROLLED DOCUMENT.		DWN	3-13-14	TE Connectivity	
DIMENSIONS: INCHES		CHK	3-13-14	CONNECTOR ASSY, ARINC 404	
TOLERANCES UNLESS OTHERWISE SPECIFIED:		APVD	3-13-14	SIZE	A2
0 PLC	± -	PRODUCT SPEC		CAGE CODE	00779
1 PLC	± -	APPLICATION SPEC		DRAWING NO.	1218638
2 PLC	± -			RESTRICTED TO	-
3 PLC	± -			SCALE	2:1
4 PLC	± -			SHEET	1 of 1
ANGLES	± -			REV	C
MATERIAL	FINISH	WEIGHT	-	CUSTOMER DRAWING	