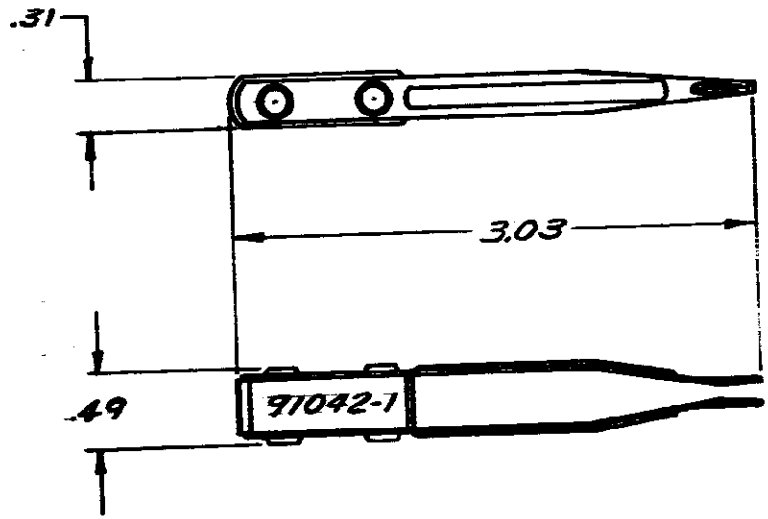


NUMBER
91042



NOTE:
1. FOR CORRECT TOOL USAGE SEE INSTRUCTION SHEET 157369

DIMENSIONS IN INCHES. DO NOT SCALE PRINT.

Unauthorized copy not to be made without written permission.

				AMP INCORPORATED. ALL RIGHTS RESERVED. PRODUCTS COVERED BY PATENTS AND TRADEMARKS PENDING.		CUSTOMER COPY REFERENCE ONLY	
				MATERIAL AND FINISH: STEEL & ALUM. BLACK OXIDE		AMP INCORPORATED HARRISBURG, PENNA.	
				WIRE — RANGE — INSULATION: — # — — # —		CLASS: — # —	
				TOLERANCE EXCEPT AS NOTED: — # —		TYPE: TYPE XI CONTACTS	
				SCALE: 1-1		LOC: M A NO: 91042 REV: 0-1	
				NAME: TOOL - INSERTION			
				CUSTOMER DRAWING			
0-1 Loc M was R		PP - 4/20/68		DR		CNK	
REVISION RECORD		DATE		BY		APP	
Hall 2/20/68		Hall 2/20/68		Hall 2/20/68		Hall 2/20/68	
Dunn 2/2/68		Hall 2/2/68		Hall 2/2/68		Hall 2/2/68	