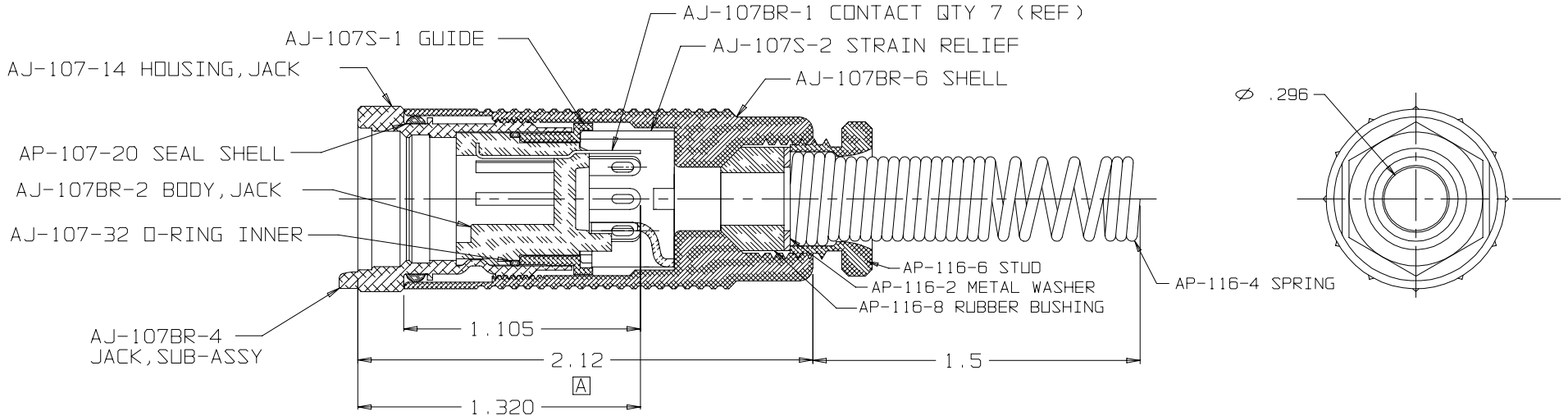


B AJ-107BR

PROPRIETARY-NEXUS



THIS DOCUMENT CONTAINS PROPRIETARY INFORMATION OF NEXUS, INCORPORATED AND SUCH INFORMATION MAY NOT BE DISCLOSED TO OTHERS FOR ANY PURPOSE OR USED FOR ANY PURPOSE WITHOUT THE WRITTEN CONSENT OF NEXUS.

| | | | |
|--|-----------------|---|--|
| DWN. BY M.N.F. | DATE 3/8/96 | MATERIAL _____ | |
| CHECKED BY L. SMITH | DATE 7/18/96 | FINISH _____ | |
| APPR. BY L. SMITH | DATE 7/18/96 | WEIGHT _____ | SCALE 2:1 |
| UNLESS OTHERWISE SPECIFIED DIMENSIONS ARE IN INCHES TOLERANCES ON FRACTIONS DECIMALS ANGLES | | TITLE SEVEN CONNECTOR AUDIO JACK WITH SPRING BEND RELIEF | |
| | | DO NOT SCALE DWG. | SHEET 1 OF 1 |
| | | SIZE B | DWG. NO. AJ-107BR ASSEMBLY, B.O.M. |

| | | | | |
|------|----------|------|---------|------|
| A | WAS 2.02 | 0242 | 9/23/96 | L.S. |
| LET. | REVISION | CN # | DATE | CHK. |