

REV	DATE	DESCRIPTION	DATE	DWN	APPV
A1	080CT2009	REVISED PER ECO-09-021480		CR	DG

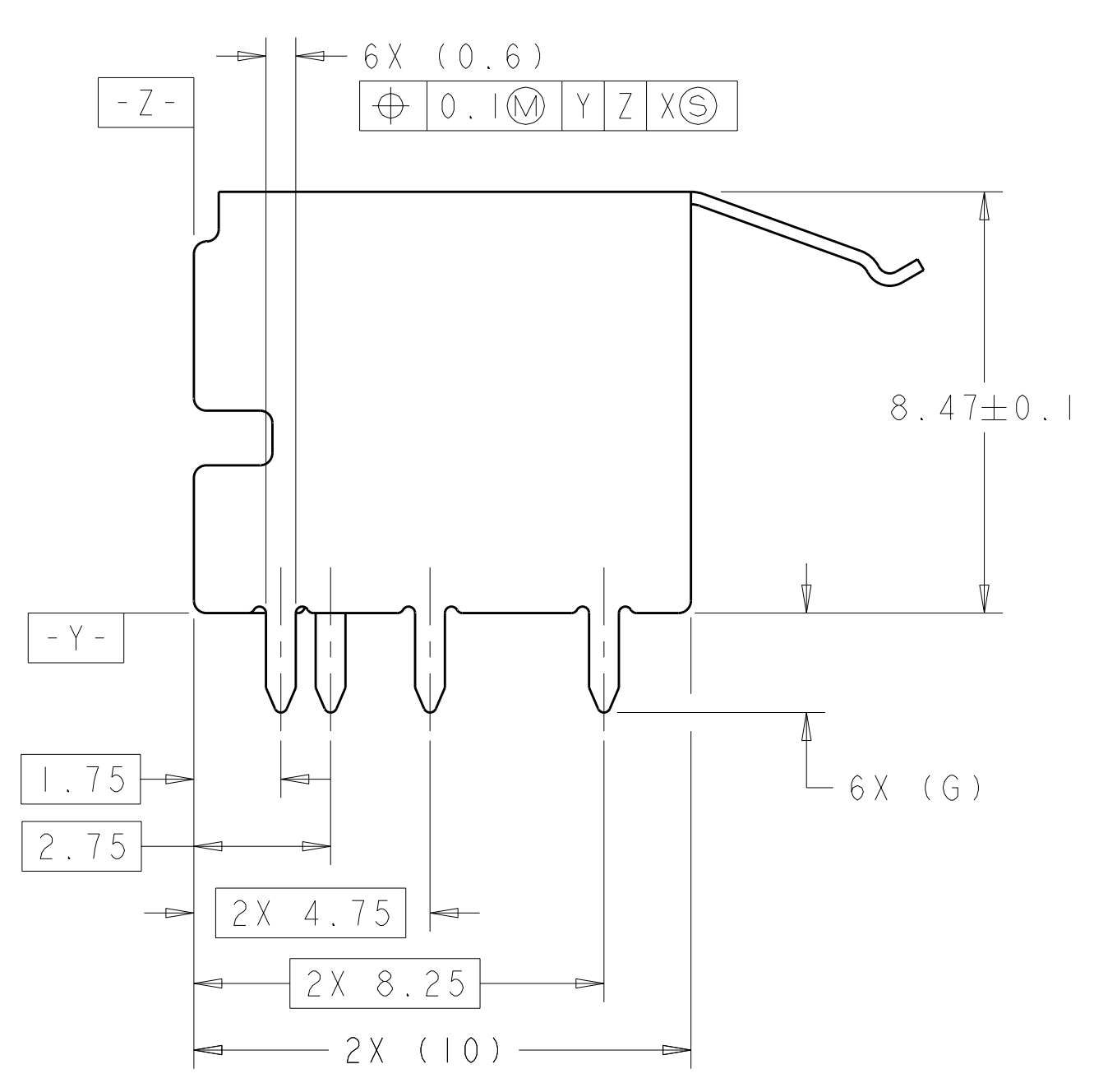
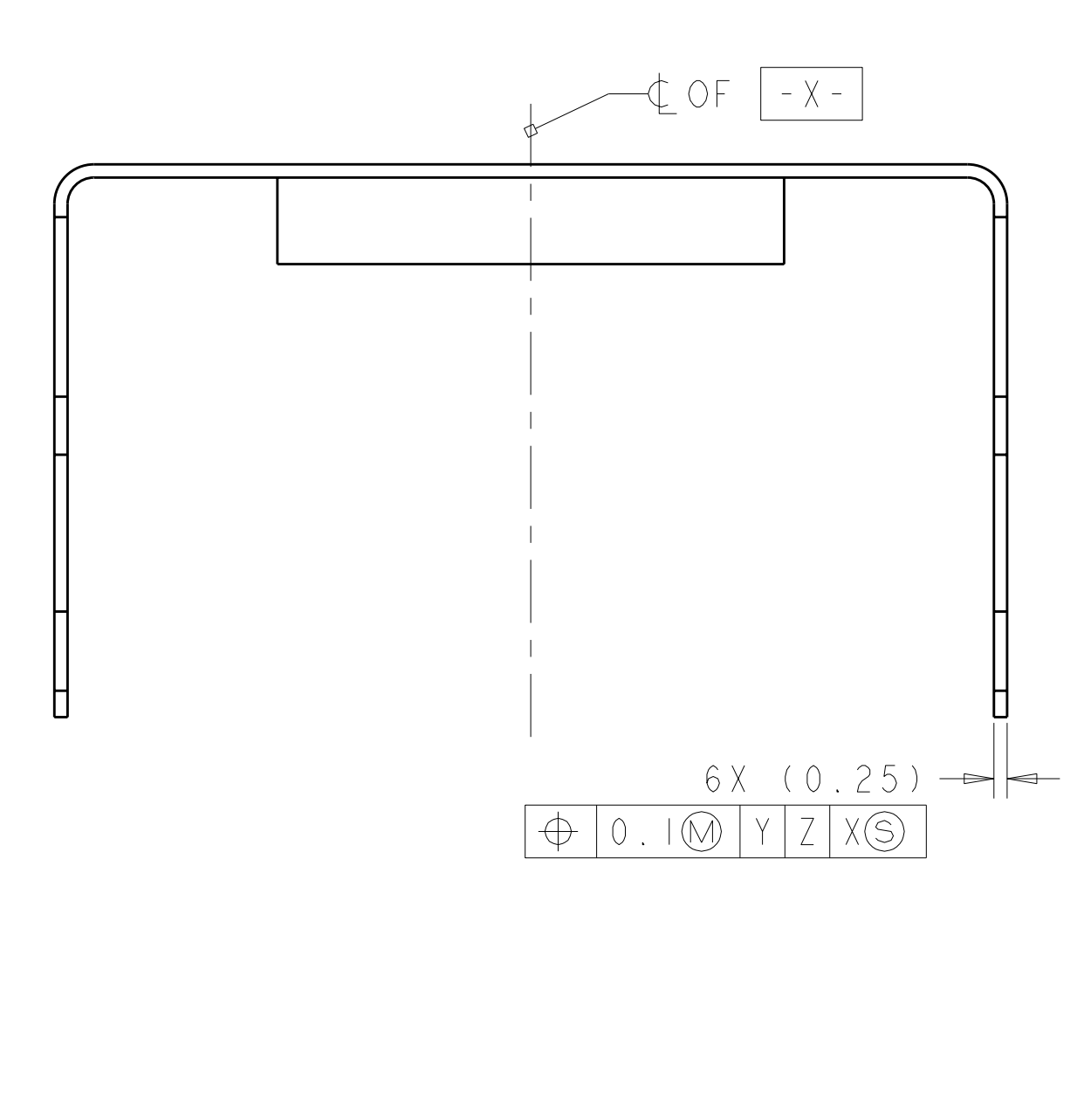
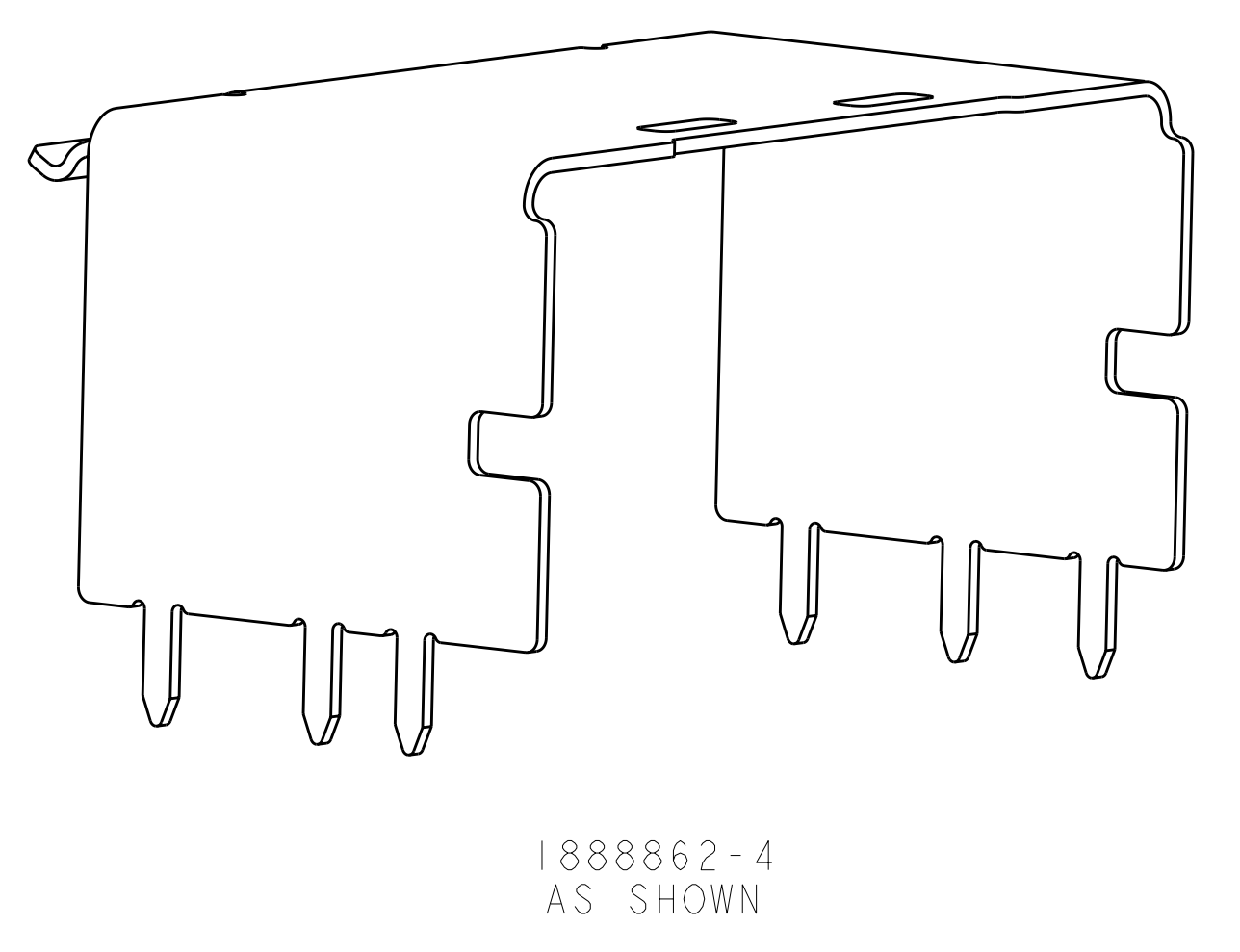
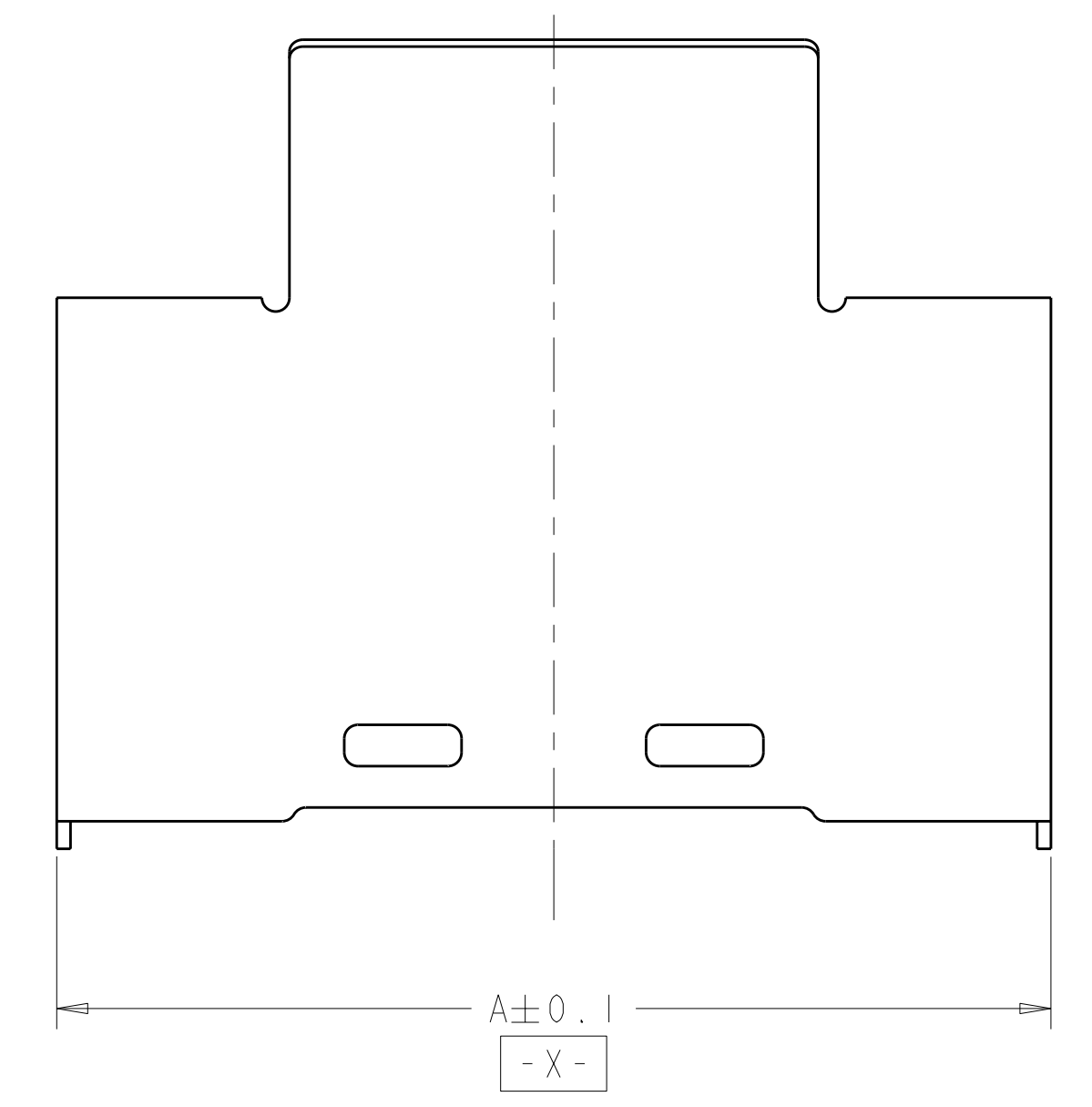


FIGURE M

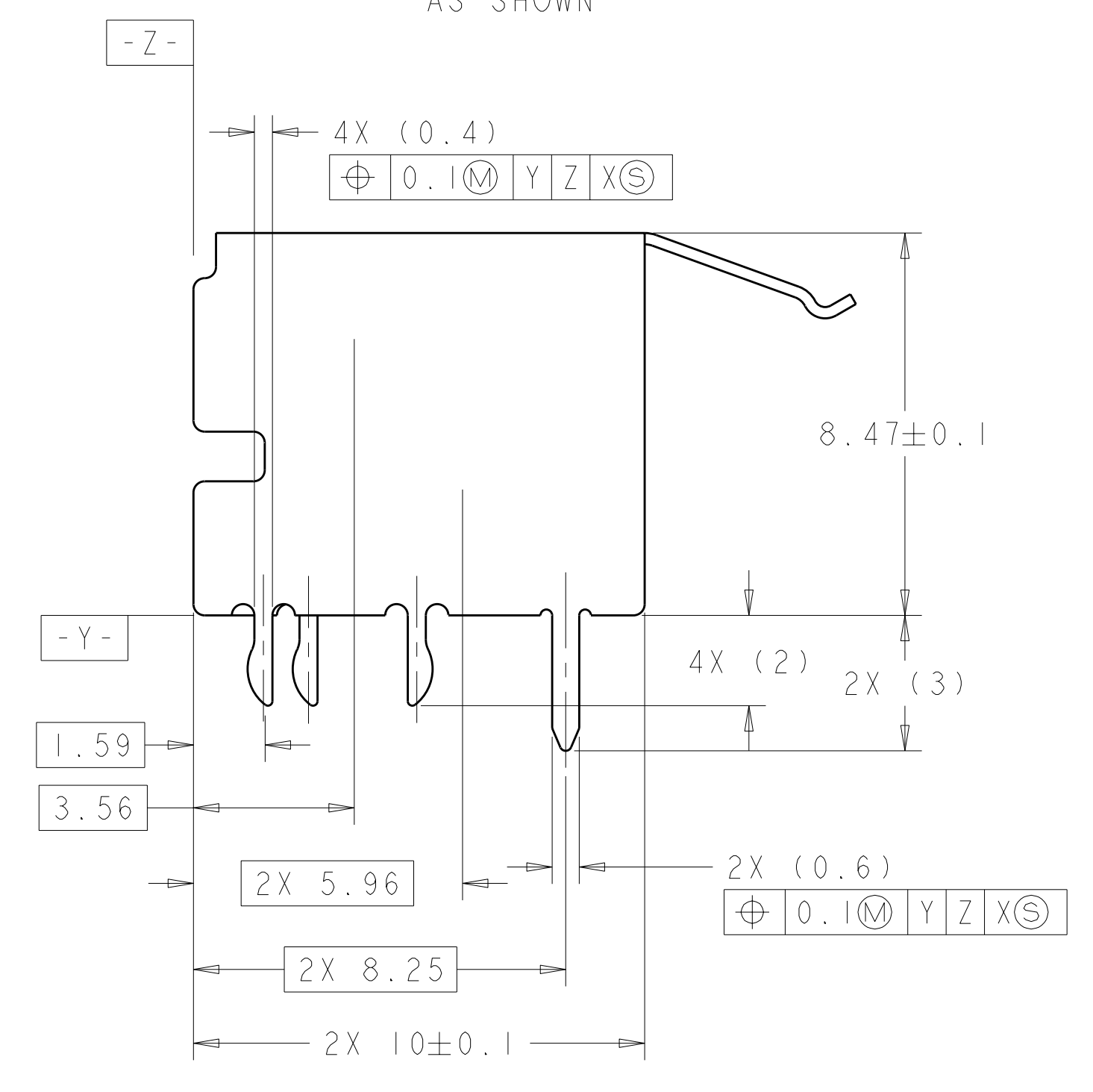
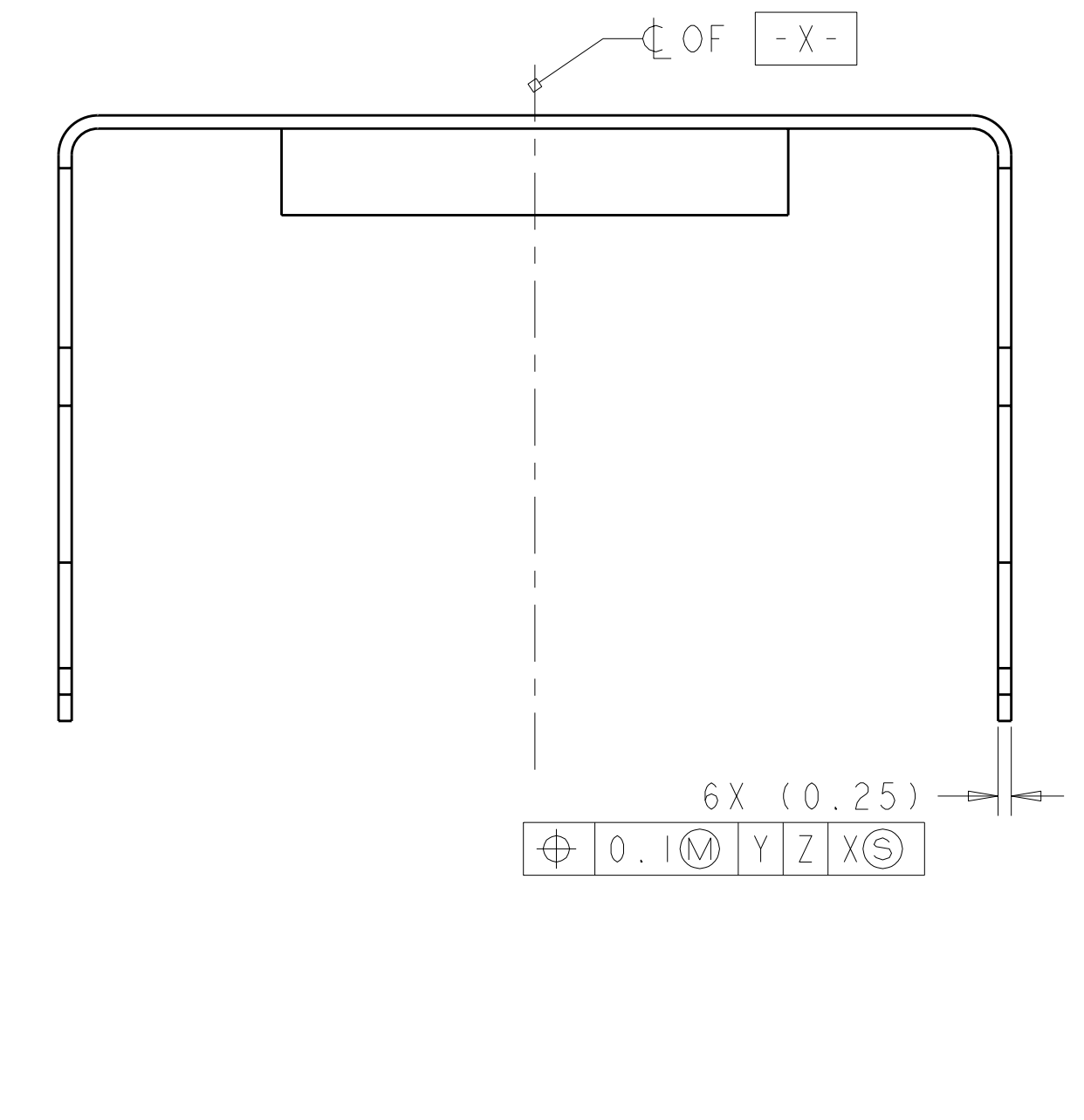
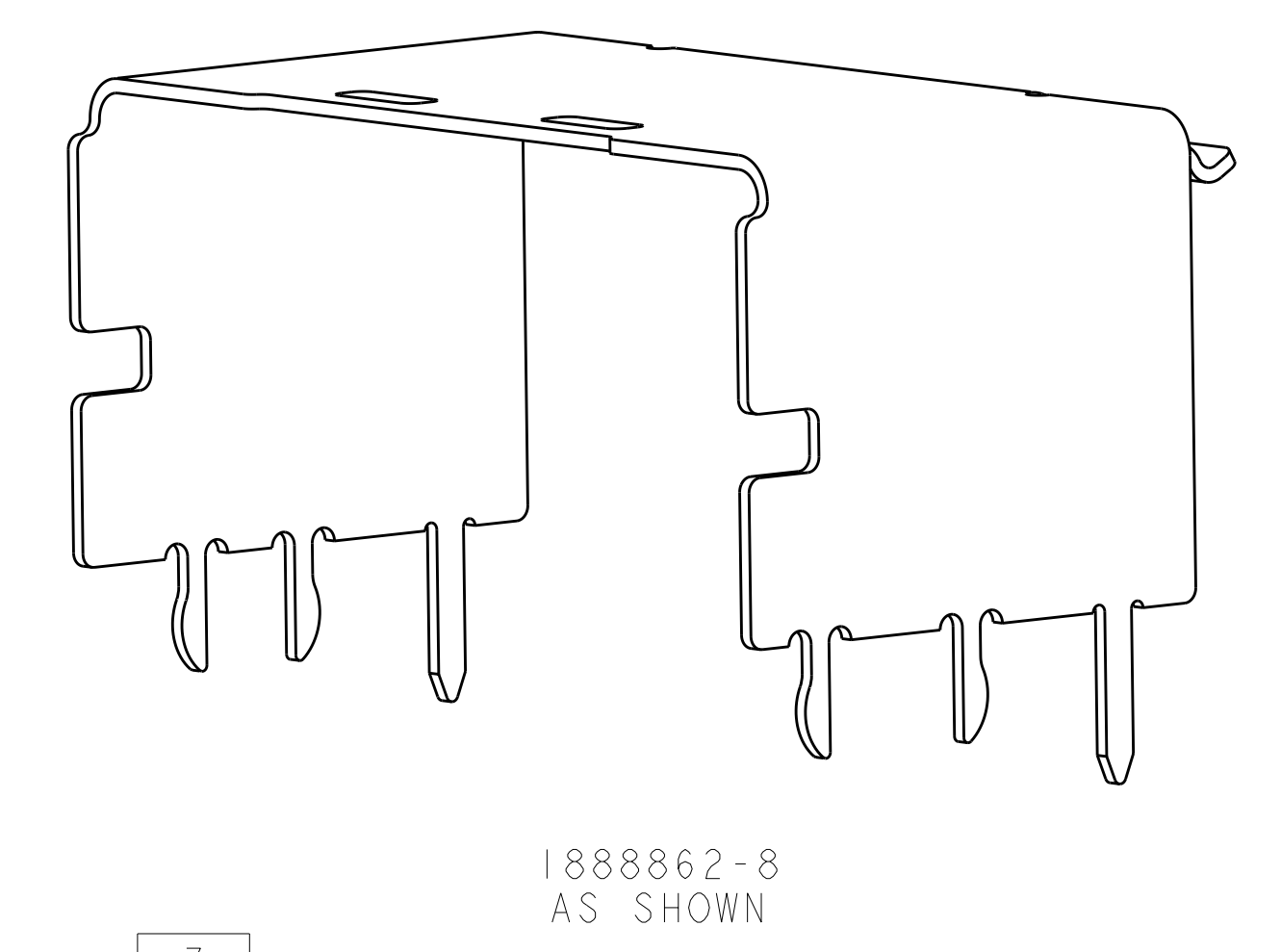
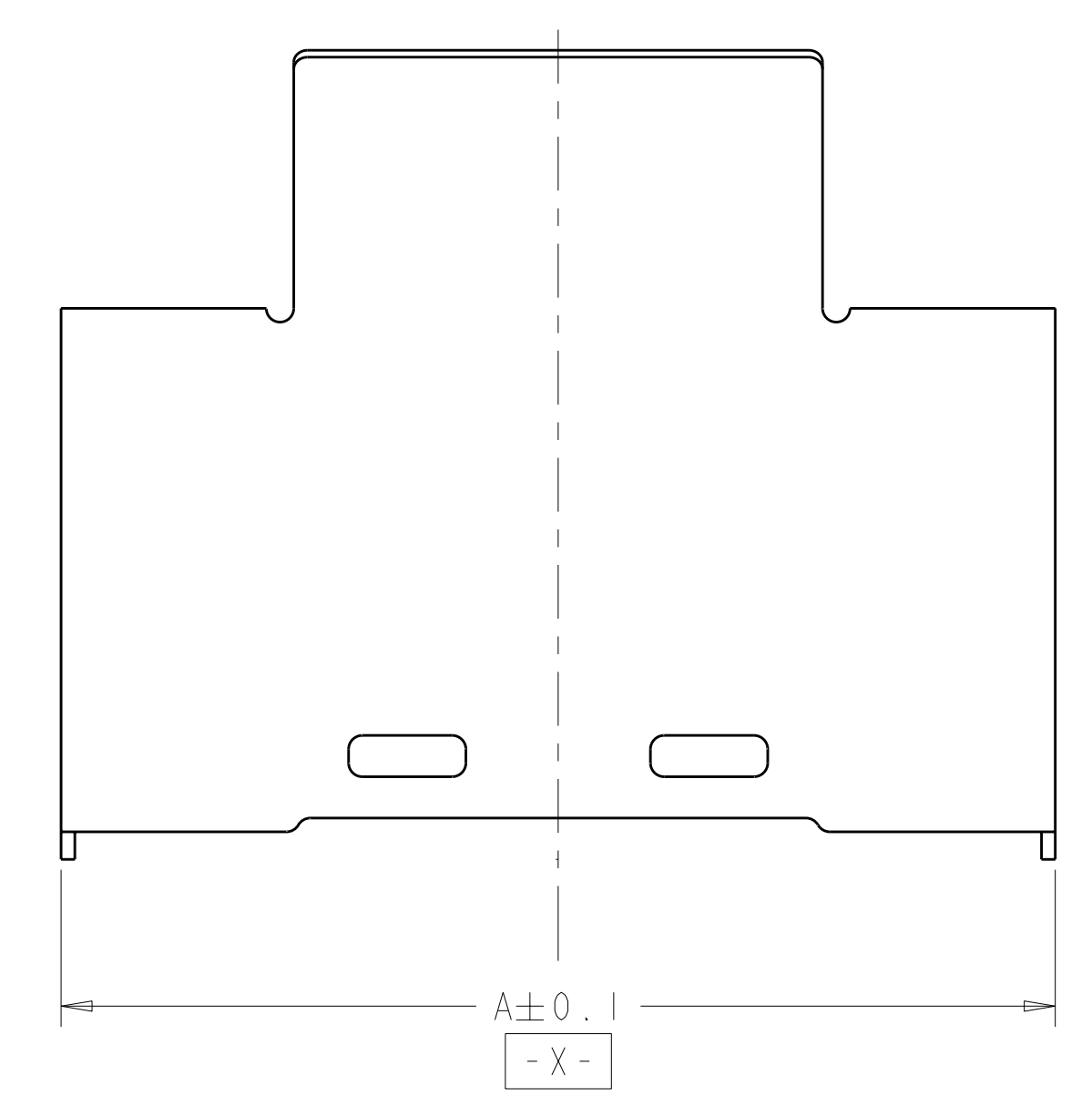


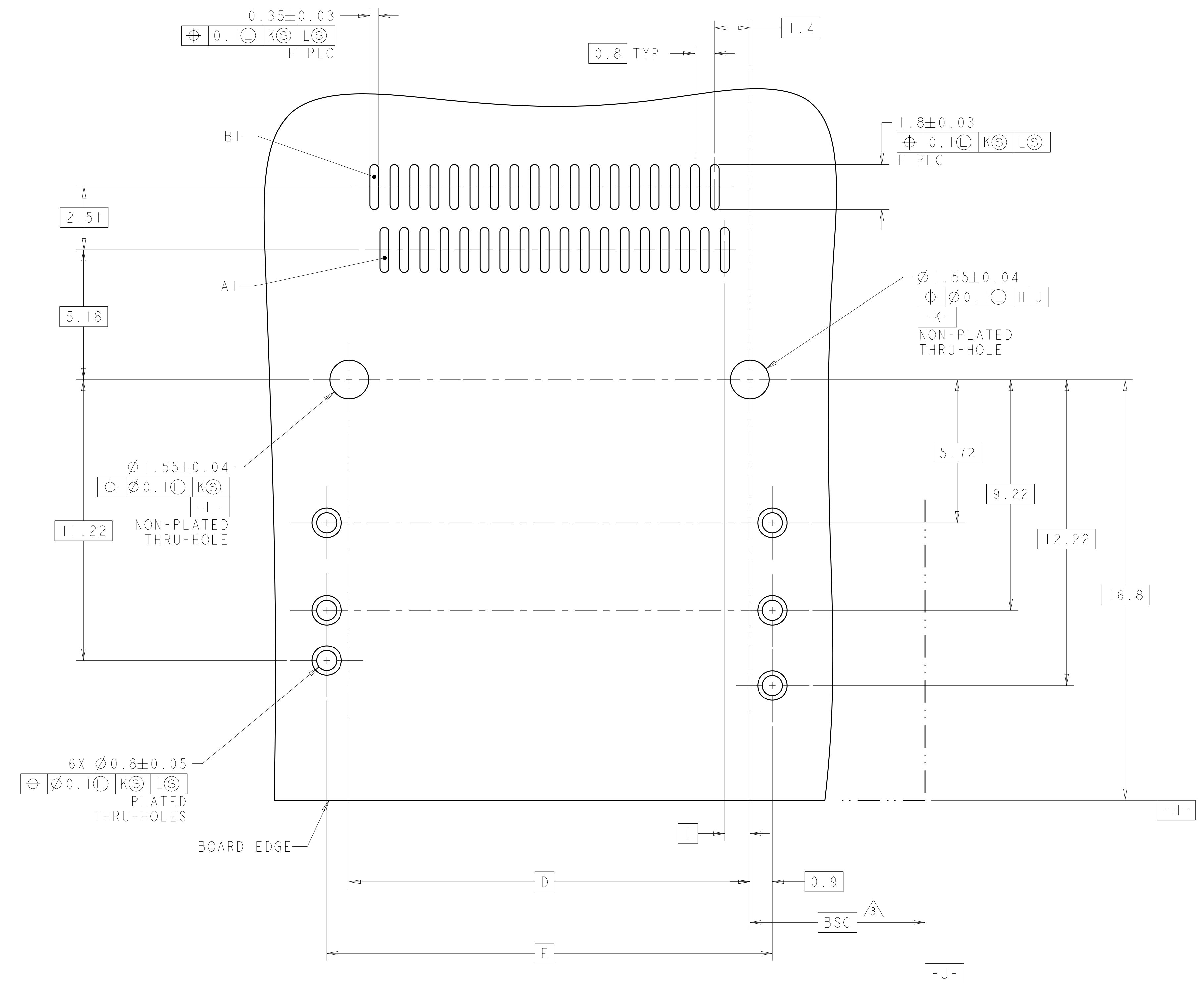
FIGURE N

- 1. MATERIAL: NICKEL-SILVER PER ASTM B 122.
- 2. SHELL ASSEMBLY TO BE USED WITH THE SURFACE MOUNT RECEPTACLE CONNECTOR PART NUMBER REFERENCED IN TABLE
- 3. DATUM AND BASIC DIMENSION ESTABLISHED BY CUSTOMER

FIGURE	CONNECTOR PART NUMBER	G	F	E	D	A	POSN	PART NUMBER
M	1761987-2	3.5	36	17.8	16	18.05	36	I-1888862-6
M	1761987-2	2.8	36	17.8	16	18.05	36	I-1888862-2
N	1761987-2	-	36	17.8	16	18.05	36	1888862-8
M	1761987-2	2	36	17.8	16	18.05	36	1888862-4

DIMENSIONS: mm TOLERANCES UNLESS OTHERWISE SPECIFIED: 0.1 PL C ±0.1 0.2 PL C ±0.1 1.3 PL C ±0.1 4. PL C ±0.1 ANGLES ±0.5		DWG: MCMASPER 21FEB07 CDR: D. GOBENC 21FEB07 APPV: D. GOBENC 21FEB07 NAME: D. GOBENC		Tyco Electronics Harrisburg, PA 17105-3608	
MATERIAL: FINISH:		PRODUCT SPEC: 188-2234 APPLICATION SPEC:		EVERCLEAR Mini-SAS INTERNAL SHELL, RIGHT ANGLE RECEPTACLE, UNKEYED	
CUSTOMER DRAWING		REIGHT: - SCALE: 1:1		SIZE: CASE CODE: DRAWING NO: A 00779 1888862 SHEET 1 OF 2 REV A1	

REV	DATE	DESCRIPTION	DATE	DWN	APPD
GP 00		SEE SHEET 1			



RECOMMENDED PCB LAYOUT
SCALE 10:1

<small>NOT REPRODUCIBLE WITHOUT THE WRITTEN PERMISSION OF TYCO ELECTRONICS CORPORATION</small> <small>TRADE NAMES AND PARTS LISTED ARE THE PROPERTY OF THEIR RESPECTIVE OWNERS</small>		DWN: MCMMASTER 21FEB01 CH: D. GOBENC 21FEB01 APPD: D. GOBENC 21FEB01	Tyco Electronics Harrisburg, PA 17105-3608
DIMENSIONS: mm	TOLERANCES UNLESS OTHERWISE SPECIFIED: 0 PLG ±.1 1 PLG ±.1 2 PLG ±0.1 3 PLG ±.1 4 PLG ±.1 ANGLES ±.1	NAME: EVERCLEAR Mini-SAS INTERNAL SHELL, RIGHT ANGLE RECEPTACLE, UNKEYED PRODUCT SPEC: 108-2234 APPLICATION SPEC:	SIZE: A CASE CODE: 1888862 DRAWING NO: 100779
MATERIAL:	FINISH:	WEIGHT:	RESTRICTED TO:
CUSTOMER DRAWING		SCALE: 5:1	SHEET 2 OF 2 REV A1