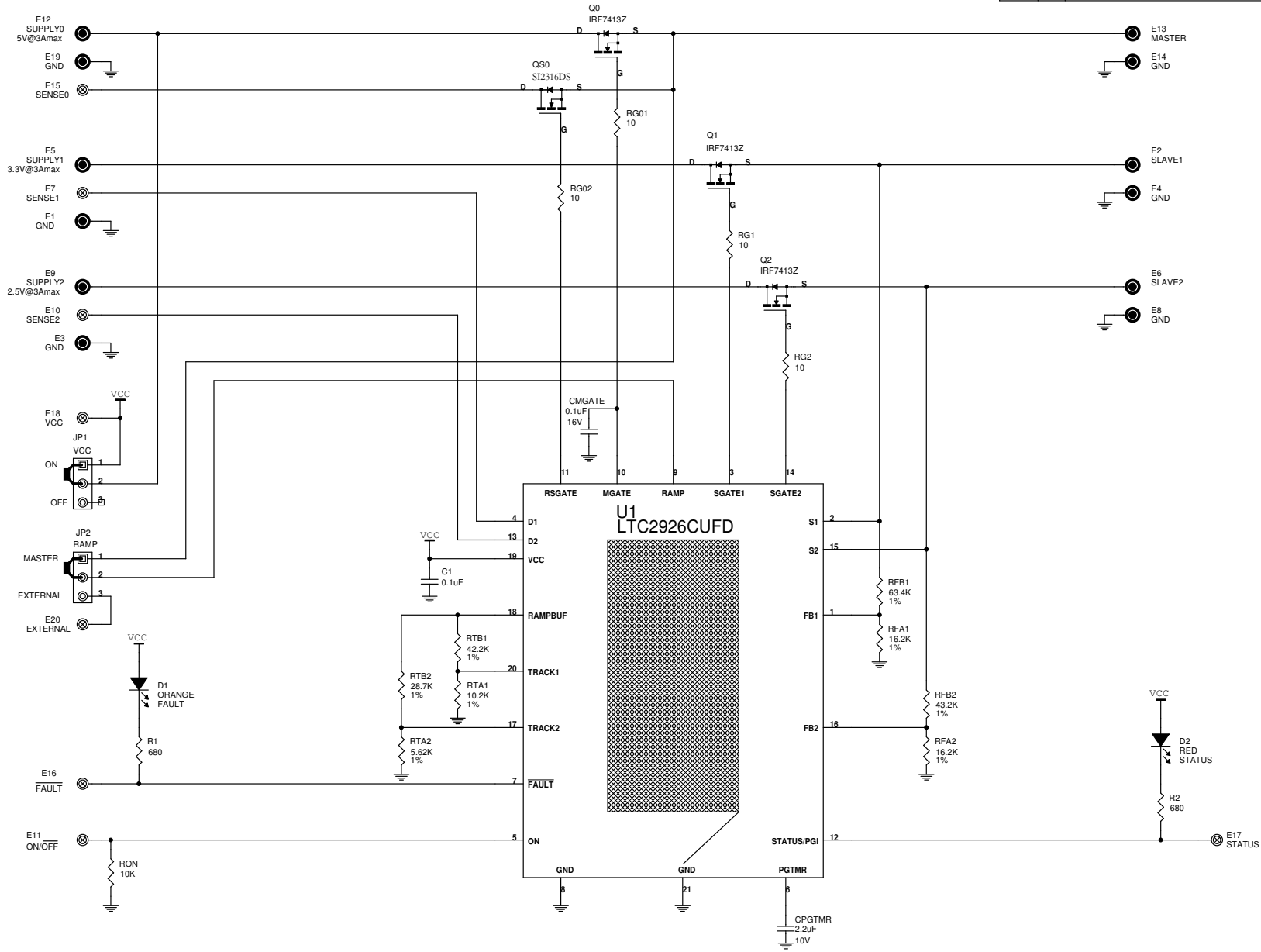


| REVISION HISTORY | | | | |
|------------------|-----|-----------------------------|----------|---------------|
| ECO | REV | DESCRIPTION | DATE | APPROVED |
| --- | 0 | (948A_11.PCB/948A_Rev0.DSN) | 09/14/05 | Vlad Ostrerov |
| | | | | |

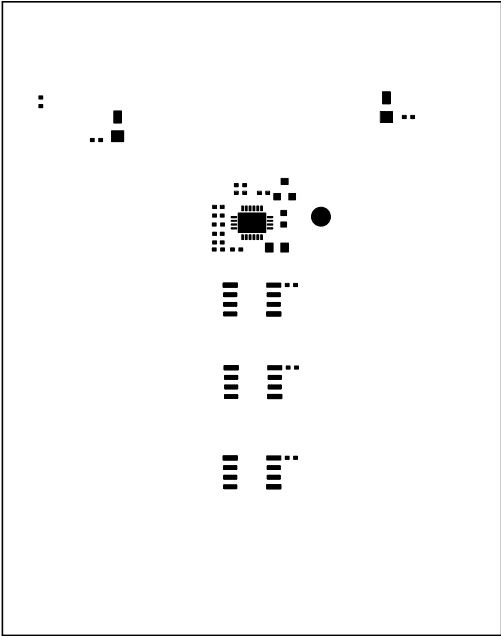


This circuit is proprietary to Linear Technology and supplied for use with Linear Technology parts.
Customer Notice: Linear Technology has made a best effort to design a circuit that meets customer-supplied specifications; however, it remains the customer's responsibility to verify proper and reliable operation in the actual application. Component substitution and printed circuit board layout may significantly affect circuit performance or reliability. Contact Linear Applications Engineering for assistance.

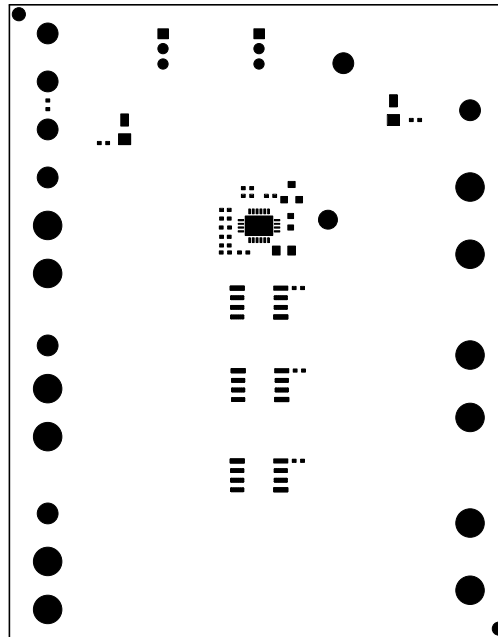
| APPROVALS | | LINEAR TECHNOLOGY CORPORATION | | |
|-----------------------------|--|---|--|-------|
| DRAWN: Rudy Bautista | | 1630 McCARTHY BLVD www.linear.com | | |
| ENGINEER: Vlad Ostrerov | | MILPITAS, CA. 95035 | | |
| APPROVED: | | (408) 432-1900 LTC Confidential - | | |
| CHECKED: | | (408) 434-0507 (FAX) For Customer Use Only | | |
| 948A_Rev1.PCB 948A_Rev1.DSN | | Title: LTC2926CFD, MOSFET Controlled Power Supply Tracker | | |
| Date: Monday, May 08, 2006 | | Size: Document Number | | Rev 1 |
| Sheet 1 of 1 | | Demo Circuit 948A | | |

Linear Tech. Corp.
Demo Circuit 948A

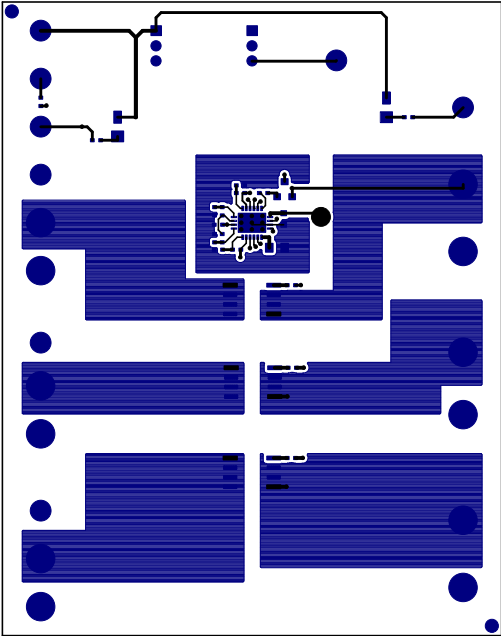
PasteMask Top



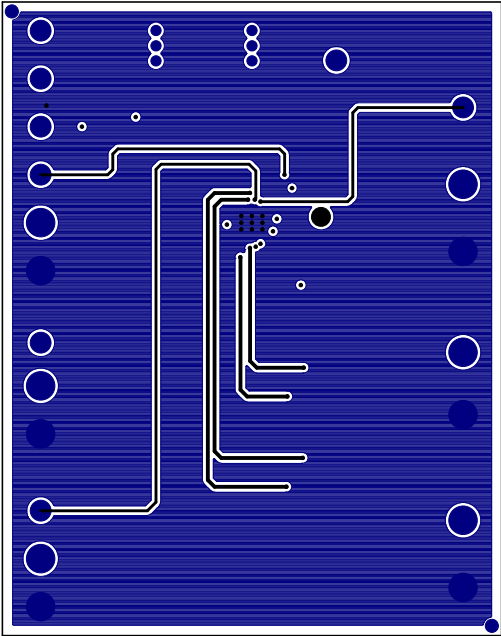
Linear Tech. Corp.
Demo Circuit 948A
SolderMask Top



Linear Tech. Corp. Component Side
Demo Circuit 948A

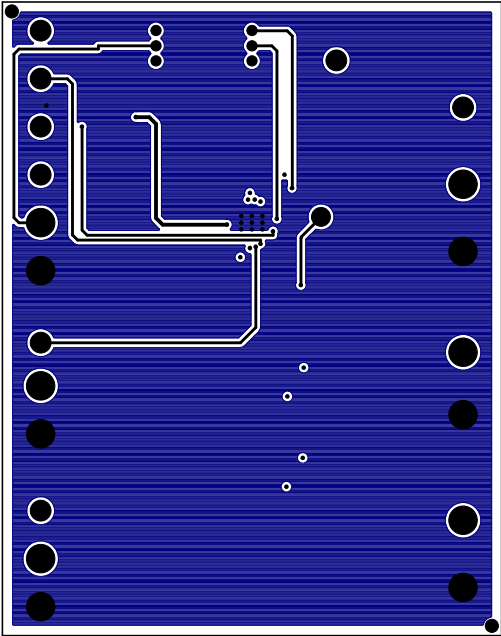


Linear Tech. Corp.
Demo Circuit 948A Layer2



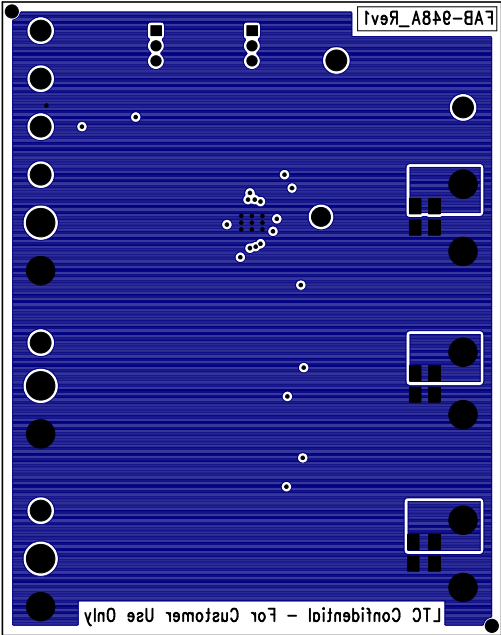
Linear Tech. Corp.
Demo Circuit 948A

Layer3



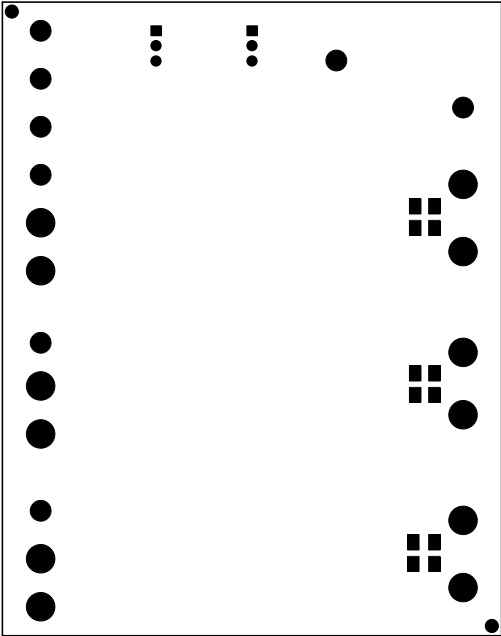
Linear Tech. Corp.
Demo Circuit 948A

Solder Side



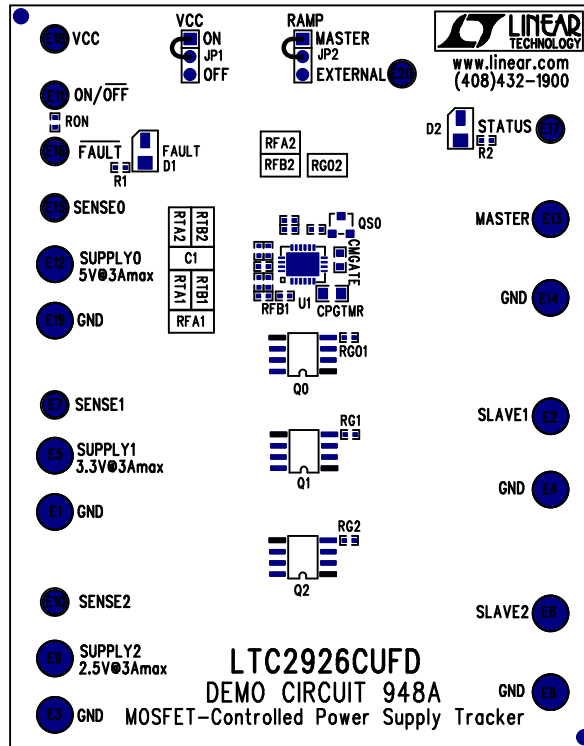
Linear Tech. Corp.
Demo Circuit 948A

SolderMask Bottom




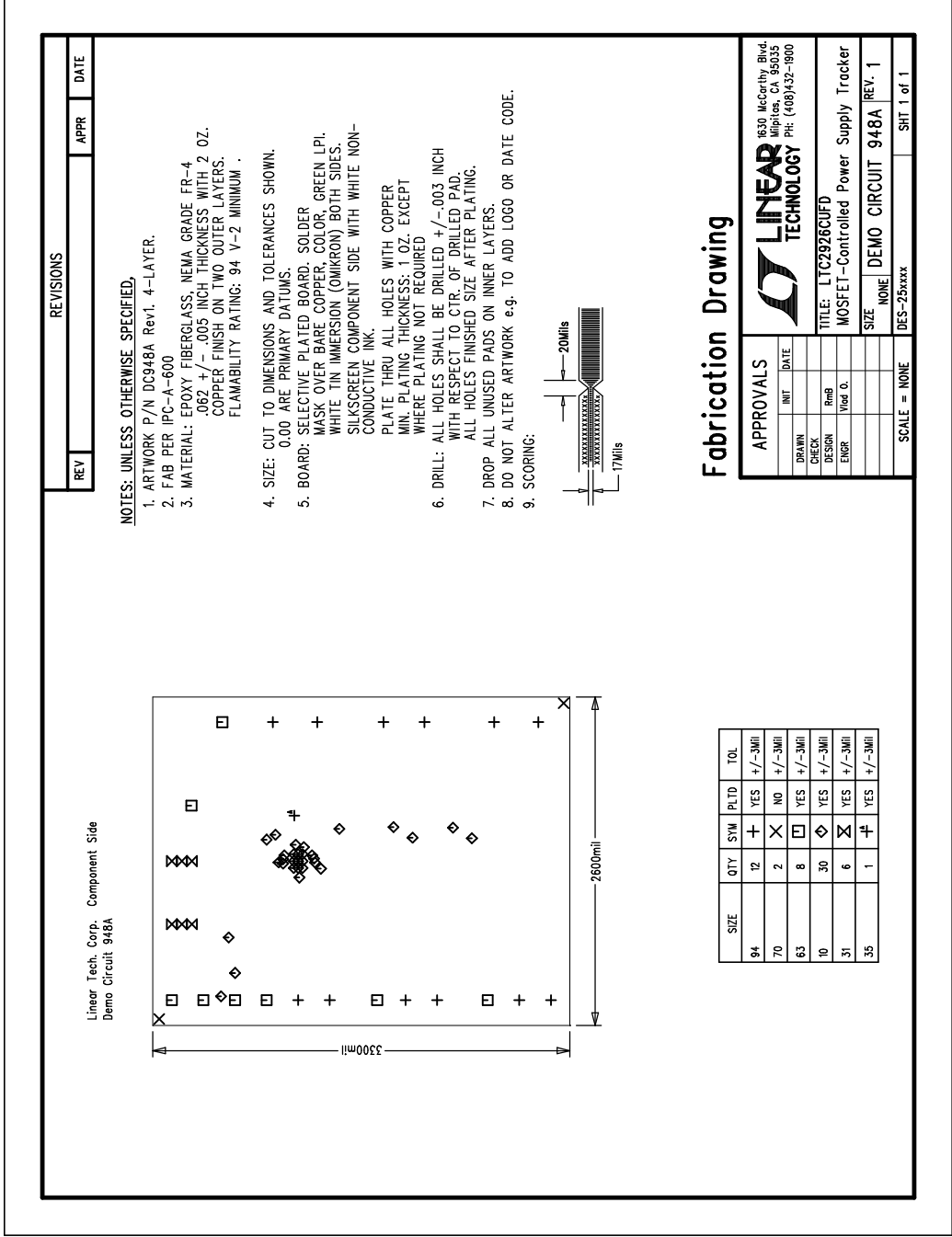
Linear Tech. Corp.
Demo Circuit 948A

Silkscreen Top



Assembly Top Drawing

| APPROVALS | | |  LINEAR TECHNOLOGY | 1630 McCarthy Blvd. Milpitas, CA 95035 PH: (408)432-1900 | |
|--------------|---------|------|---|--|---------------|
| | INIT | DATE | | | |
| DRAWN | | | TITLE: LTC2926CUFD MOSFET-Controlled Power Supply Tracker | | |
| CHECK | | | | | |
| DESIGN | RmB | | | | |
| ENGR | Vlad O. | | | | |
| | | | SIZE | DEMO CIRCUIT 948A | REV. 1 |
| | | | NONE | | |
| SCALE = NONE | | | DES-25xxxx | SHT 1 of 1 | |



Linear Tech. Corp.
Demo Circuit 948A

Silkscreen Top

