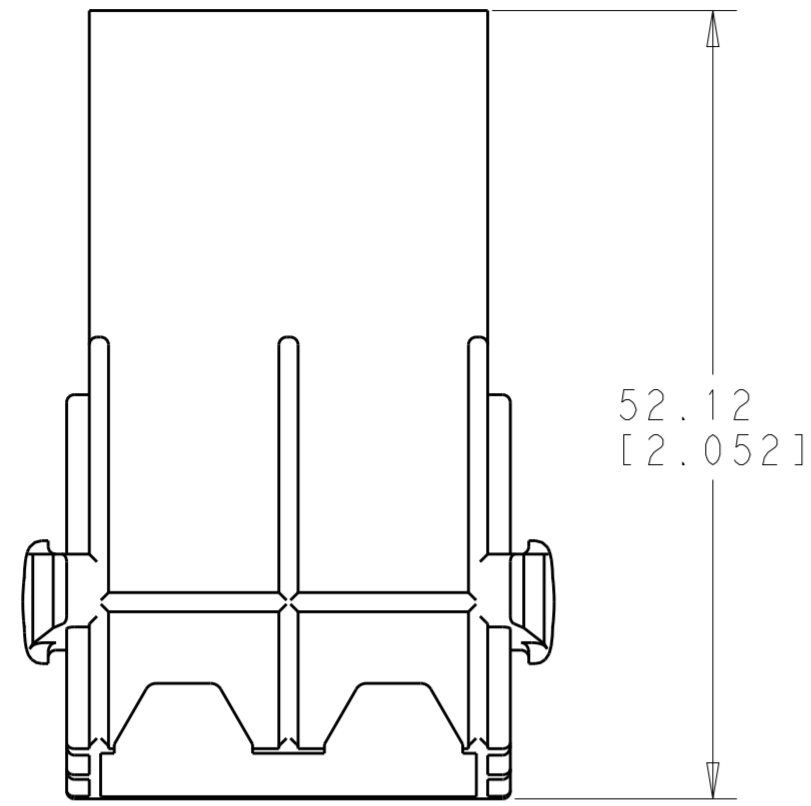


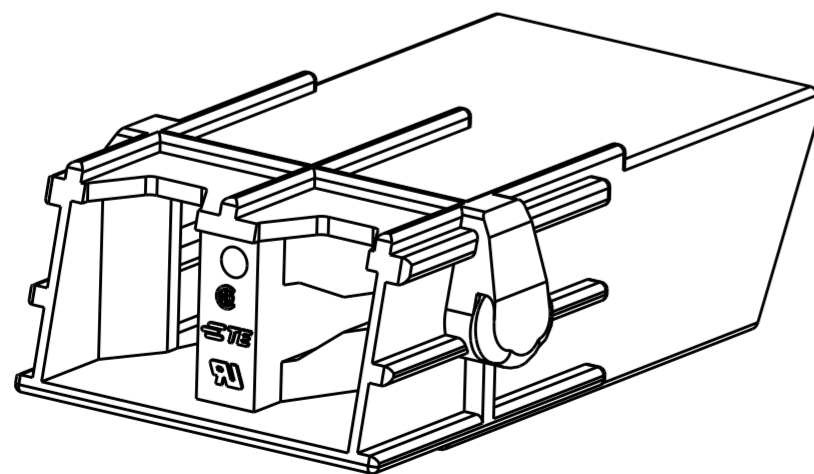
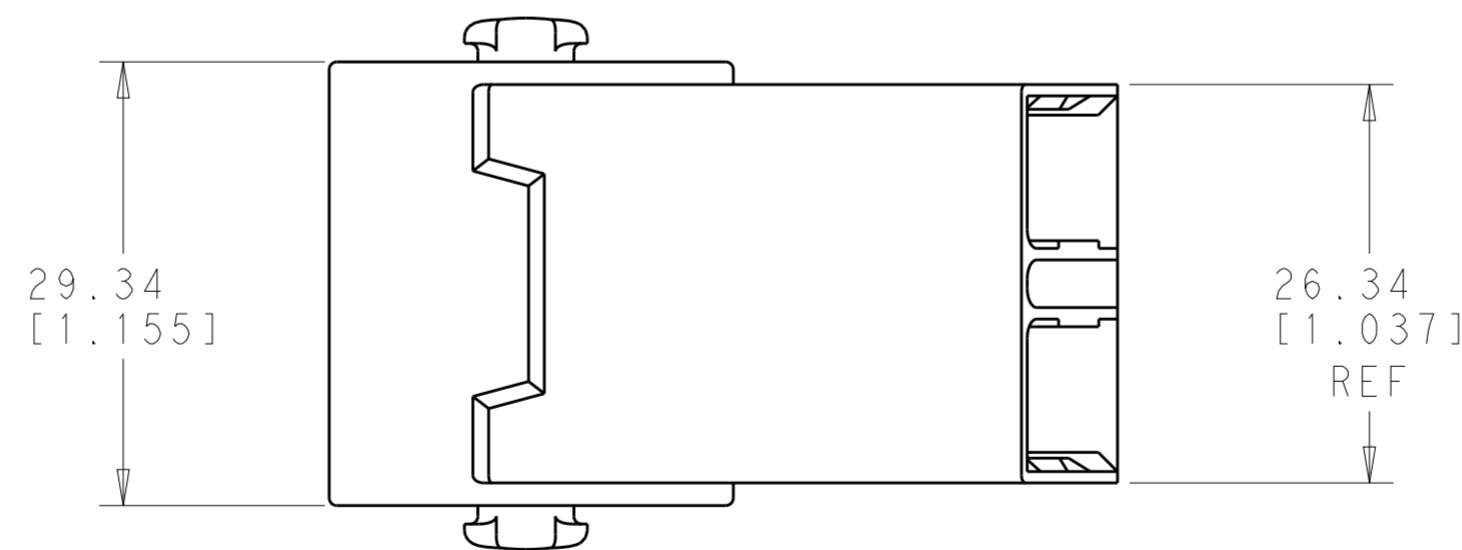
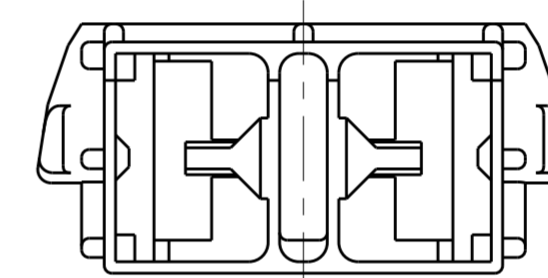
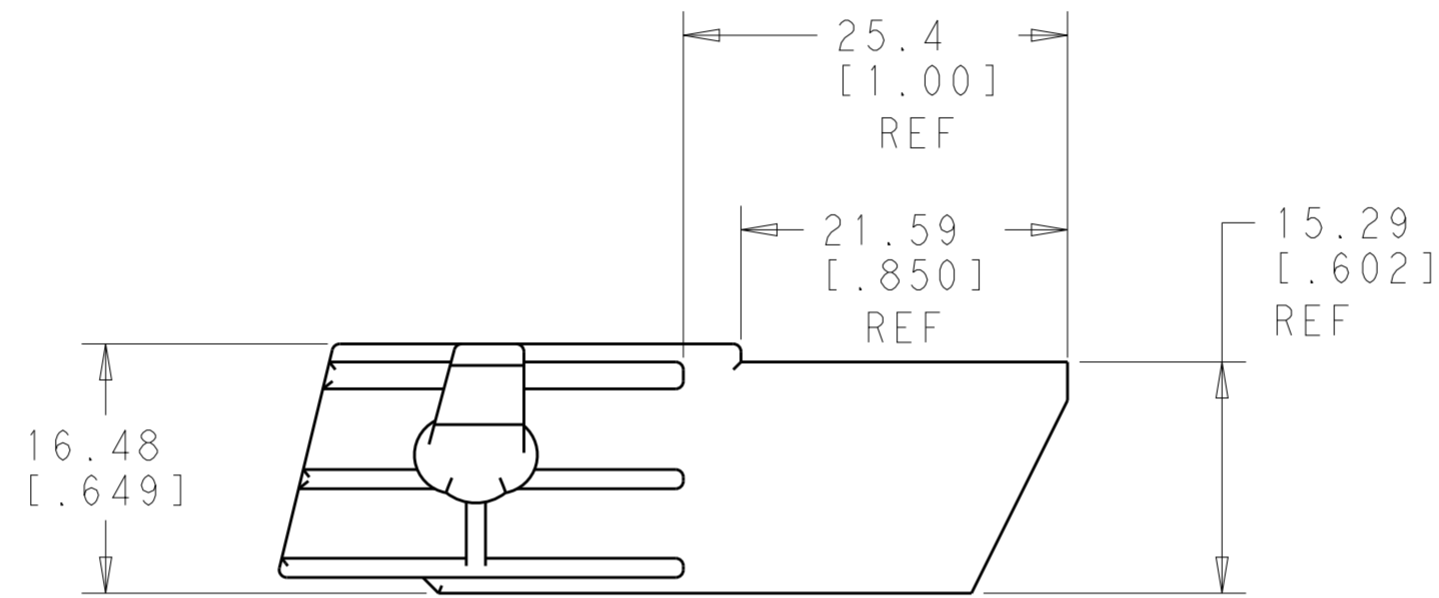
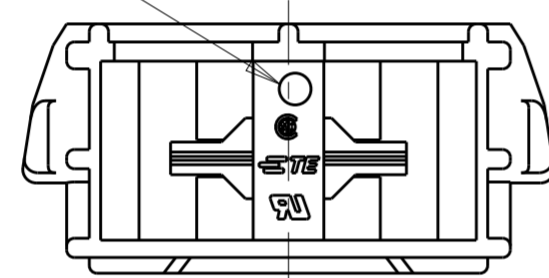
THIS DRAWING IS UNPUBLISHED. RELEASED FOR PUBLICATION  
 © COPYRIGHT copyright.d8te ALL RIGHTS RESERVED.

REVISIONS				
P	LTR	DESCRIPTION	DATE	APVD
B1		REVISED PER ECR-16-011177	11AUG2016	BW DH



- 1 ACCEPTS TERMINAL P/N 640748-X
- 2 MOUNTS IN HEAVY DUTY BURNER CLIPS, 640750-1, 640751-1, 1217841-1 AND OTHERS.
- 3 MATERIAL - THERMOPLASTIC, 240°C  
COLOR - BLACK

MOLD CAVITY ID



1969726-1  
PART NO.

THIS DRAWING IS A CONTROLLED DOCUMENT.		DWN B WAYNE 20-Aug-15	TE Connectivity	
DIMENSIONS: mm [INCHES]		CHK DAVE HUMPHREY 29 JUL 15		
TOLERANCES UNLESS OTHERWISE SPECIFIED:		APVD DAVE HUMPHREY 29 JUL 15	NAME HOUSING, 2 CIRCUIT, HEAVY DUTY BURNER LCP MATERIAL	
0 PLC ±	1 PLC ±	PRODUCT SPEC	SIZE A2	CAGE CODE -
2 PLC ±0.38 [0.015]	3 PLC ±	APPLICATION SPEC	DRAWING NO. C-1969726	RESTRICTED TO -
4 PLC ±	ANGLES ±	WEIGHT -	SCALE 2:1	SHEET 1 OF 1
MATERIAL 3	FINISH 3	CUSTOMER DRAWING	REV B1	