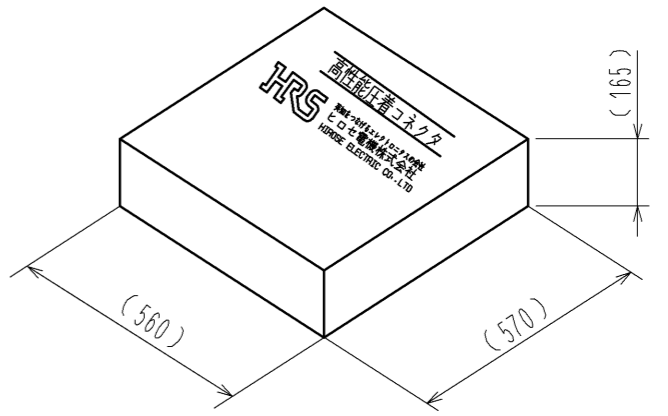
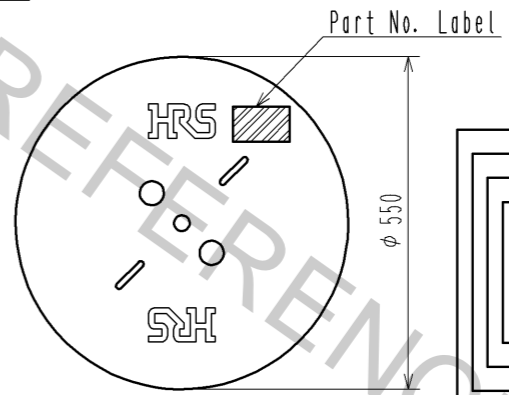


2 STYLE AND DIMENSION OF BOX



2 STYLE AND DIMENSION OF REEL



Detail of part No. Label

HRS		検査
品名コード	CL666-5004-0	
品名	DF61-2630SCF(41)	
数量	18000	
LOT No.		
継ぎ目		

- Section
- Lot No.
- Specification
- Quantity
- Part No.
- Code No.

- NOTE 1. 1RL:18000 CONTACTS.
 2 STYLE OF REEL AND BOX SHOWS IN FIGURE.
 3. A MAXIMUM OF 5 REELS ARE PACKED UP IN ONE BOX.
 4. PLEASE BE SURE TO CHECK THE FORM OF CRIMPING USING A CABLE. WHEN YOU ADJUST APPLICATOR.

NO.		MATERIAL	FINISH . REMARKS	NO.		MATERIAL	FINISH . REMARKS		
UNITS mm			SCALE 10 : 1	COUNT	DESCRIPTION OF REVISIONS		DESIGNED	CHECKED	DATE
HRS		HIROSE ELECTRIC CO., LTD.	APPROVED : KI. AKIYAMA	12.06.28	DRAWING NO.		EDC3-342494-01		
			CHECED : HK. UMEHARA	12.06.28	PART NO.		DF61-2226SCF(41)		
			DESIGNED : TT. OHSAKO	12.06.28	CODE NO.		CL666-5004-0-41		
			DRAWN : TT. OHSAKO	12.06.28					