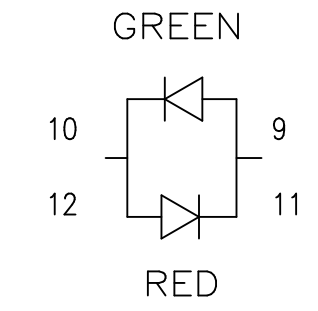
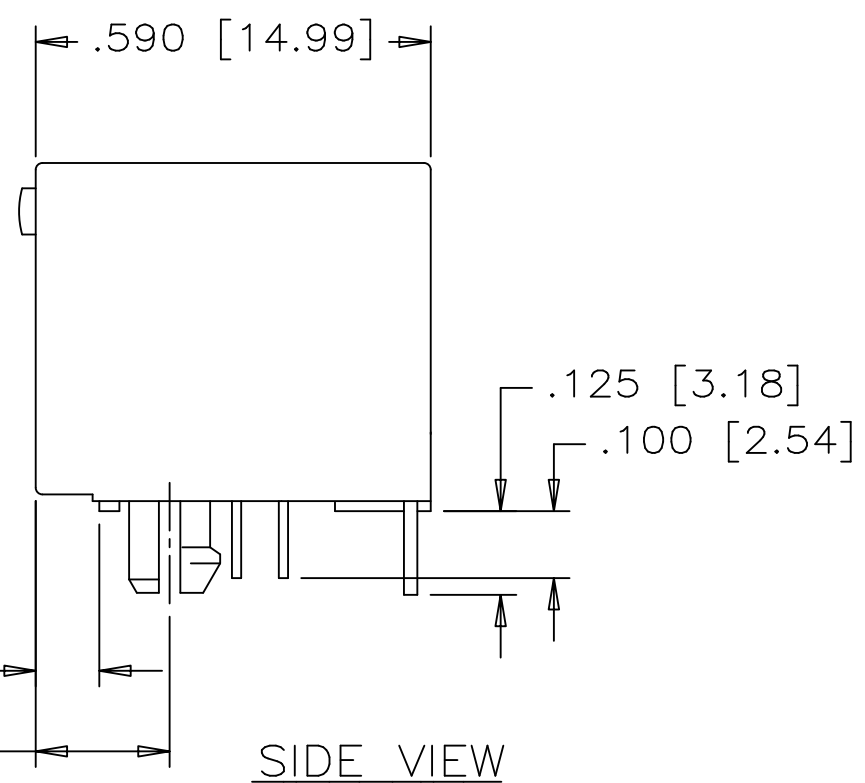
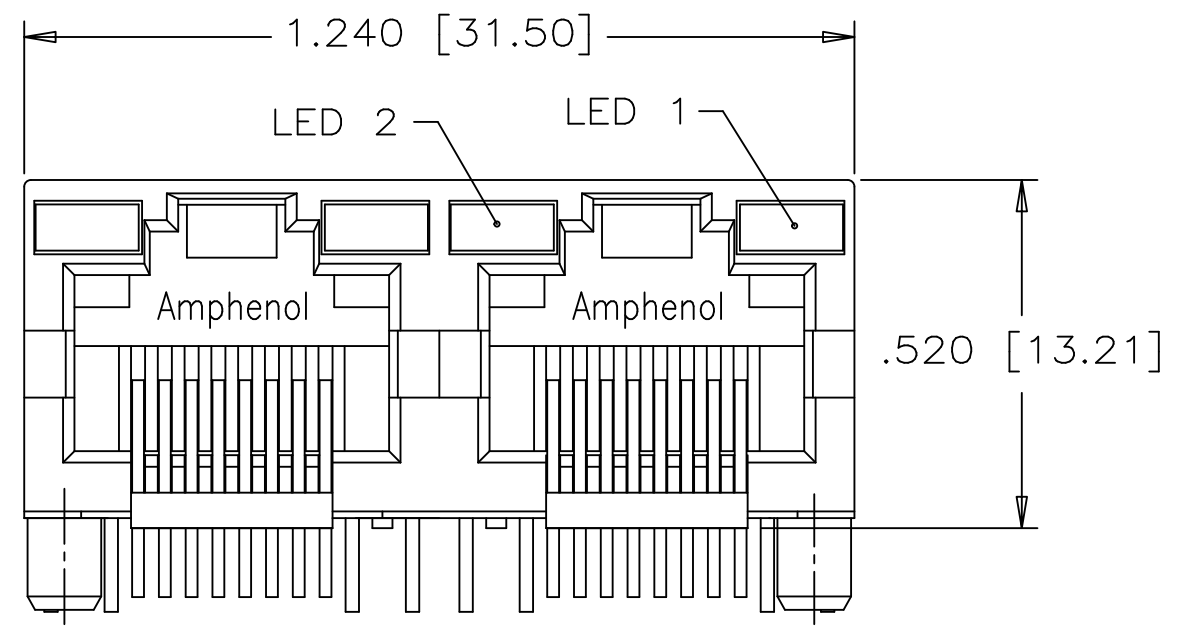
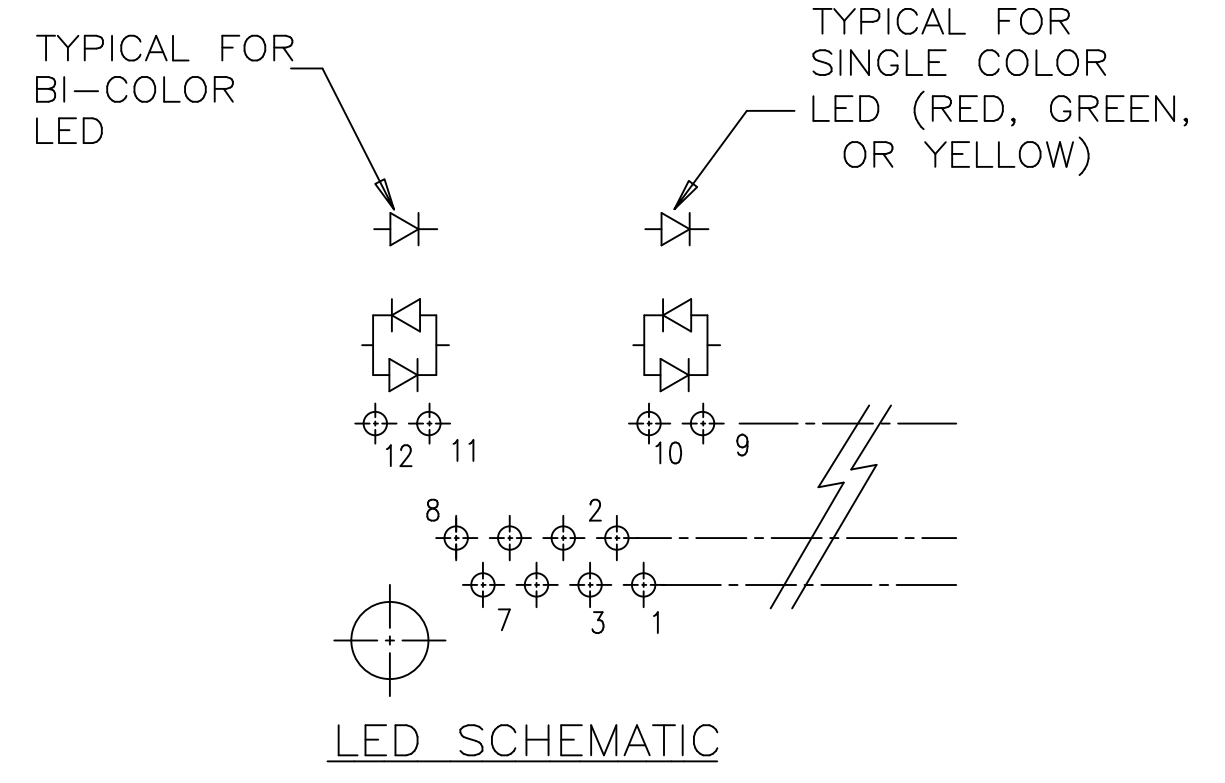
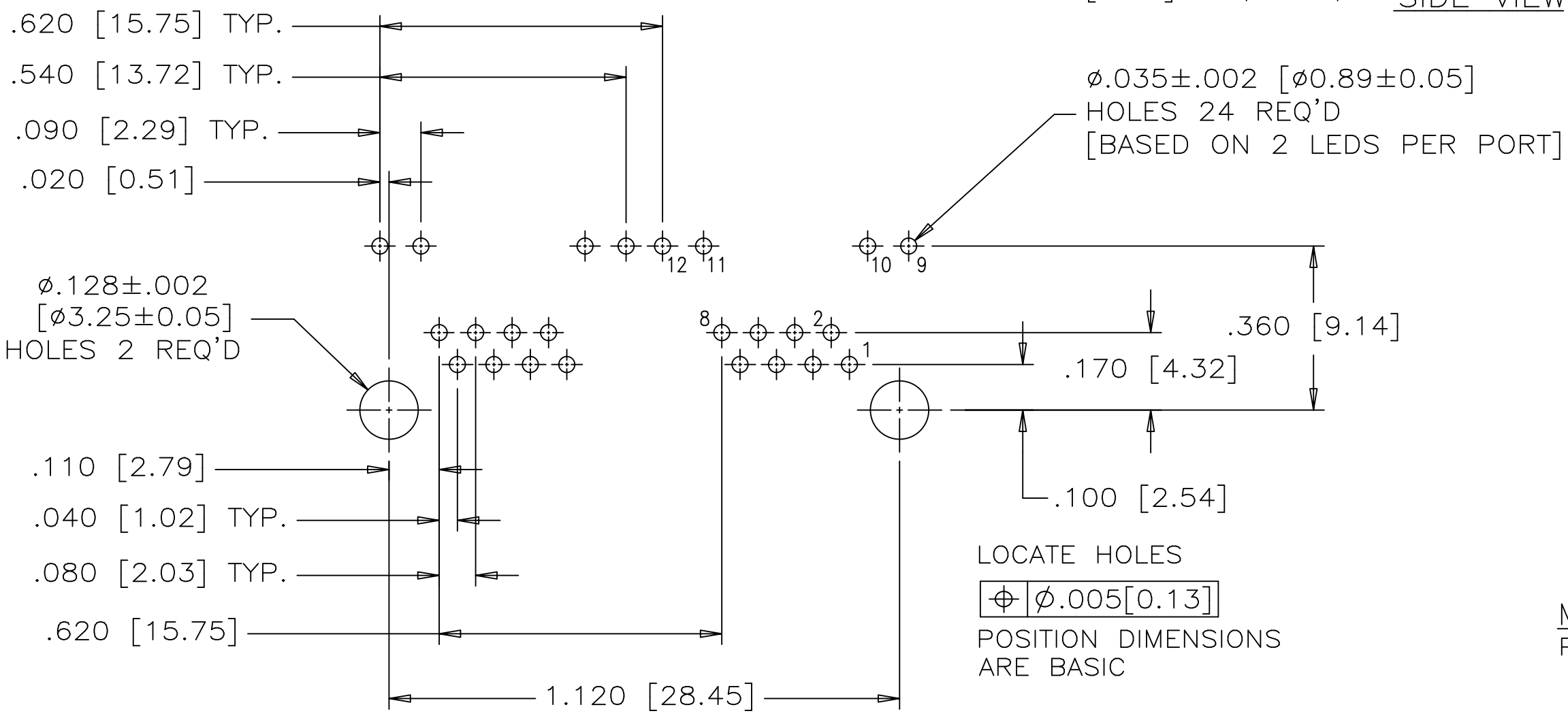


REVISIONS				
REV.	ECN, ERN NO.	DATE	REV BY	APPRD.
A	PROPOSAL DRAWING	OCT25/06		L.Chan
B	PROPOSAL DRAWING	JUN08/12		L.Chan
C	PROPOSAL DRAWING	JUN11/12		L.Chan
D	FIX LED SCHEMATIC	JAN07/13		L.Chan



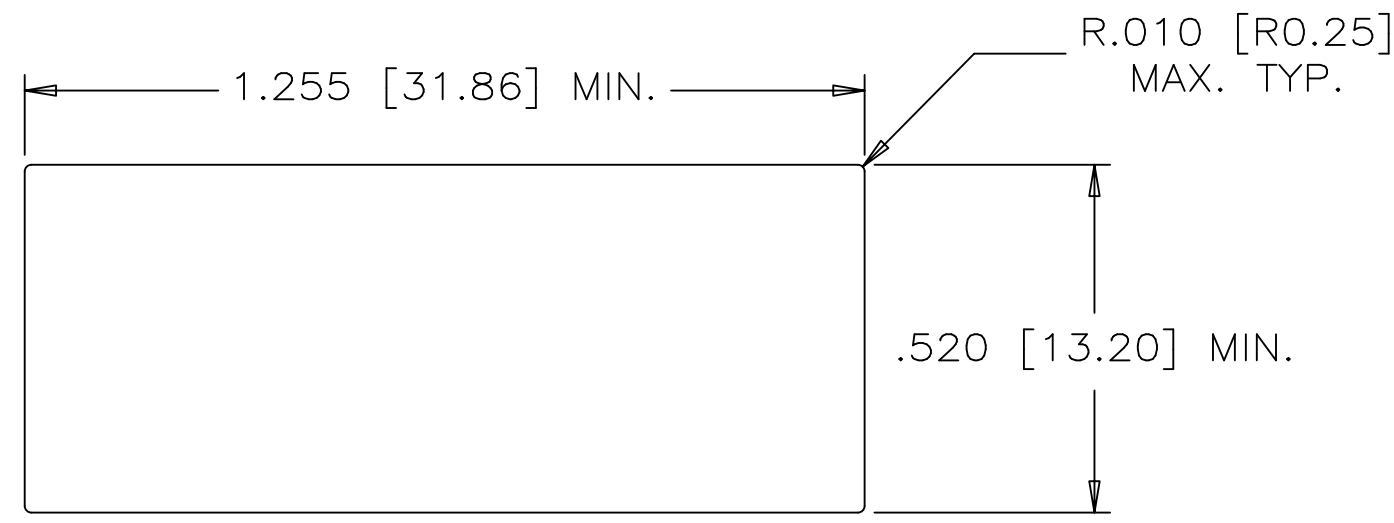
BI-COLOR LED DETAIL
(YELLOW/GREEN, RED/YELLOW AND GREEN/ORANGE LED'S ARE ALSO AVAILABLE)



MATERIALS:
PLASTIC HOUSING: ENGINEERING THERMOPLASTIC
FLAMMABILITY RATING UL 94V-0

CONTACTS:
PHOSPHOR BRONZE
PLATING: 50 μ" [1.27 MICRONS]
MIN. GOLD ON MATING SURFACES.
50 μ" [1.27 MICRONS]
MIN. NICKEL UNDERPLATE
100 μ" [2.54 MICRONS]
MIN. MATTE TIN ON CONTACT TAILS.

PART NUMBER: RJHSE-508X-02
REFER TO AMPHENOL CATALOGUE FOR LED COLOUR OPTIONS



DRAWN	J. Wang	DATE	00/02/14	Amphenol Canada Corp.	
DESIGNED					
CHECKED	Chigow Xu	DATE	00/05/31	TITLE 2 PORT HIGH SPEED MODULAR JACK, 8 POSITION, 8 CONTACTS, WITH LEDs, WITHOUT SHIELD	
I. E. APPRD.					
Q. A. APPRD.				DWG DRAWING NO. P-RJHSE-508X-02	
DWG. APPRD.					
ENG. REL. NO.				REV.	D
REF.				SCALE	
DIMENSIONS ARE IN	INCHES [mm]	CODE ID. NO.	03554	WT.	SHEET 1 OF 1

THIS DOCUMENT CONTAINS PROPRIETARY INFORMATION AND SUCH INFORMATION MAY NOT BE DISCLOSED TO OTHERS FOR ANY PURPOSE OR USED FOR MANUFACTURING PURPOSES WITHOUT WRITTEN PERMISSION FROM AMPHENOL CANADA CORP.