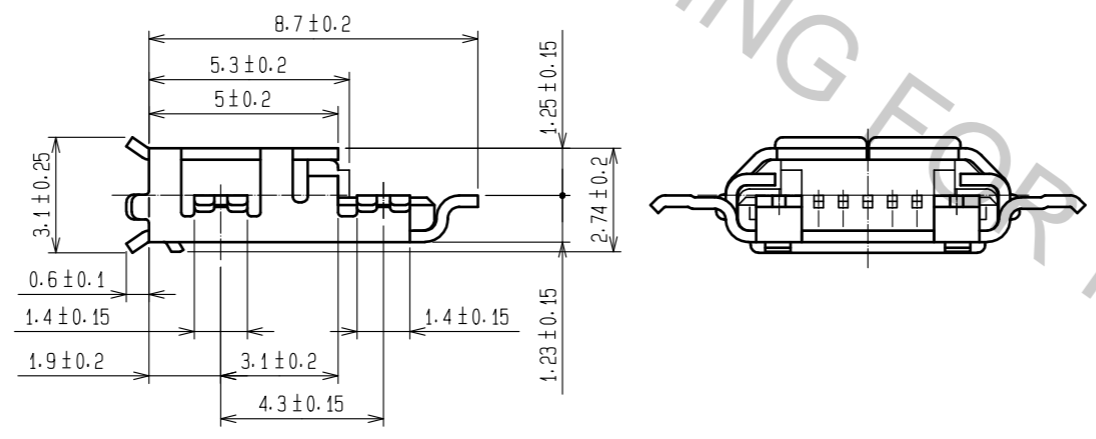
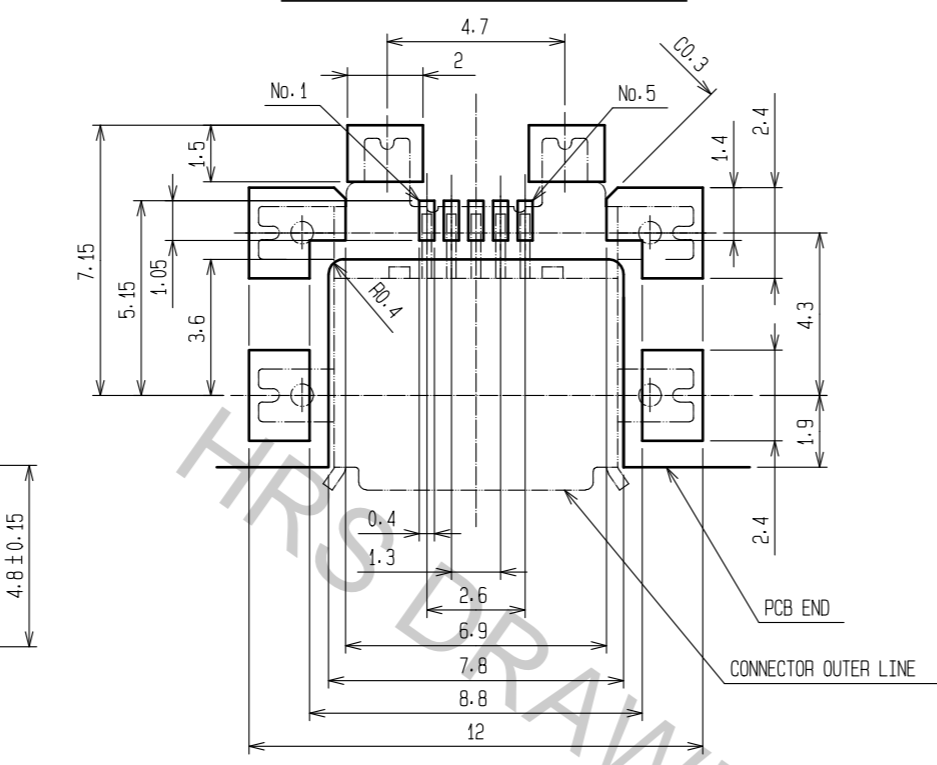
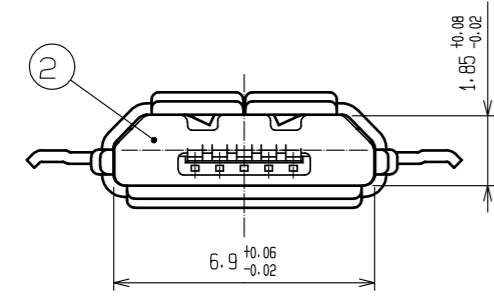
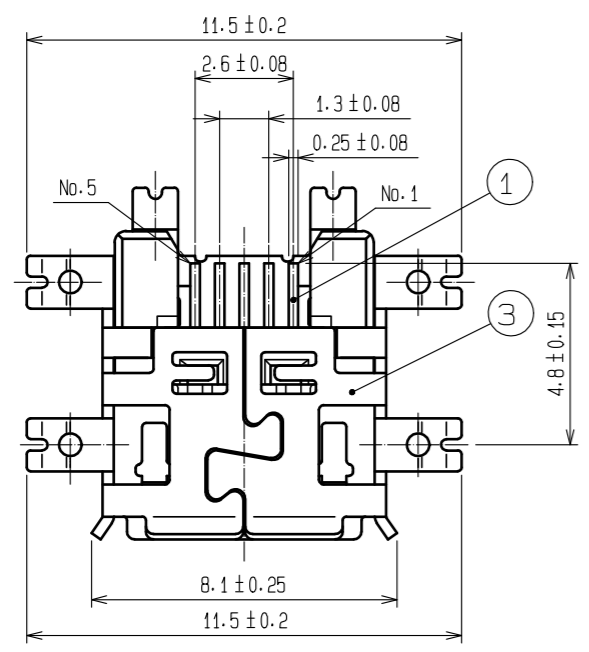
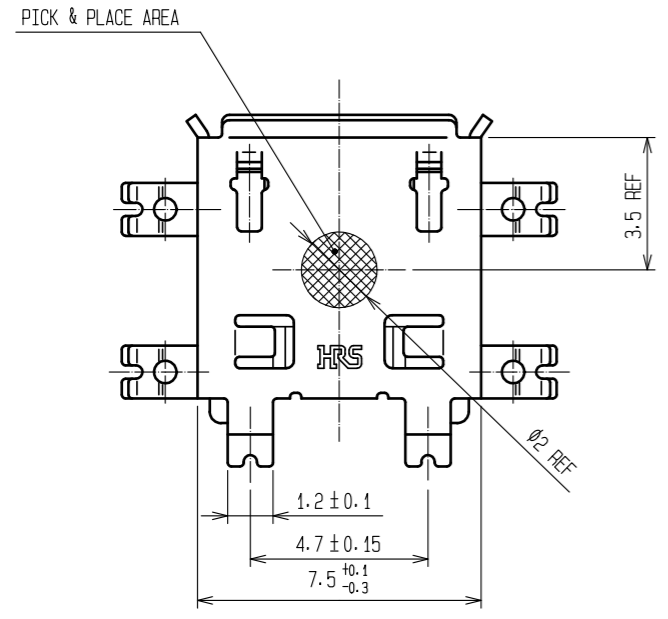
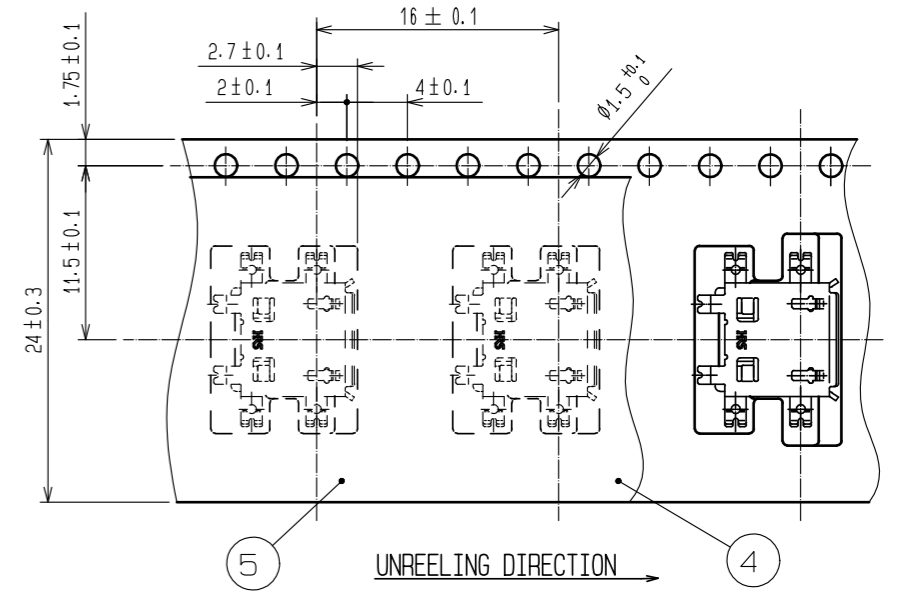


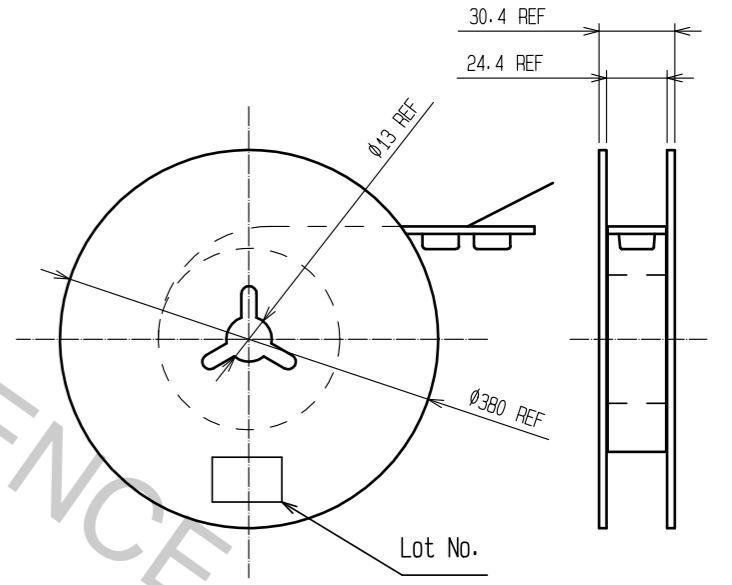
RECOMMENDED PATTERN



4 DRAWING FOR PACKING(FREE)



- NOTES
- 1 INTERFACE DIMENSIONS CONFORMS TO MICRO-B RECEPTACLE OF USB STANDARDS.
 - 2 CO-PLANARITY TO BE 0.08 MAX.
 - 3 PLATING
CONTACT AREA : GOLD 0.05μm MIN.
OVER PALLADIUM NICKEL 0.75μm MIN.
LEAD AREA : GOLD 0.05μm MIN.
UNDER PLATING: NICKEL 2μm MIN.
 - 4 PER REEL: 1500 pcs
 - 5 AS FOR PART No.3, THE PERFORMANCE REMAINS GOOD EVEN IF THERE IS A RUBBING WOUND BY THE ASSEMBLY PROCESS, AND THE PERFORMANCE REMAINS GOOD EVEN IF THERE IS A DIFFERENCE OF THE COLOR OF PLATING WITH THE MANUFACTURING LOT.



2	LCP	COLOR BLACK UL94V-0	5	PE				
1	COPPER ALLOY	3	4	PS				
			3	STAINLESS STEEL	TIN PLATING 3.8μm min. LUBRICANT			
NO.	MATERIAL	FINISH . REMARKS	NO.	MATERIAL	FINISH . REMARKS			
UNITS	mm	SCALE	5 : 1	COUNT	DESCRIPTION OF REVISIONS	DESIGNED	CHECKED	DATE
HRS		HIROSE ELECTRIC CO., LTD.		APPROVED	: NM. NISHIMATSU 15.10.27	DRAWING NO. EDC-126186-30-00		
				CHECKED	: KN. ICHIKAWA 15.10.27	PART NO. ZX62M-B-5P(30)		
				DESIGNED	: TS. ITO 15.10.27	CODE NO. CL242-0024-7-30		
				DRAWN	: AK. AKIYAMA 15.10.27	1/1		