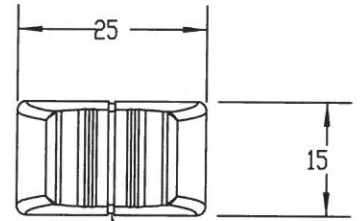


PART NAME: SLIDE KNOB SCALE: 1:1 DATE: 9/19/17 DR. BY: JAM

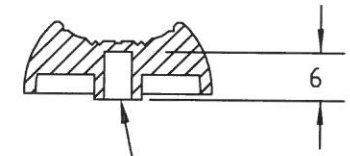
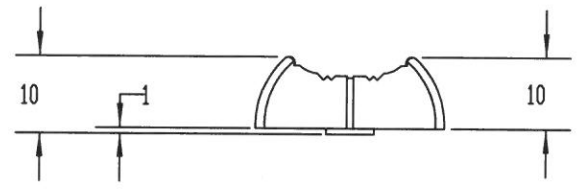
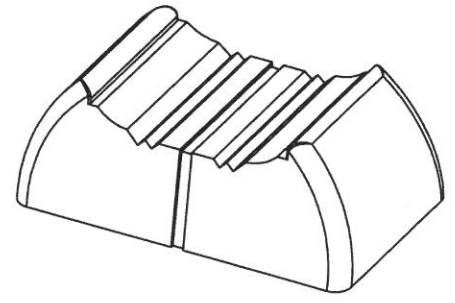
THIS DRAWING IS THE PROPERTY OF DAVIES MOLDING COMPANY, IS SUBMITTED SOLELY AS A DESIGN OR ENGINEERING PROJECT. WE ACCEPT NO RESPONSIBILITY WHATSOEVER FOR THE PRACTICAL APPLICATION OF THE PIECES MADE TO THIS DESIGN.

DAVIES MOLDING DESIGNERS & MANUFACTURERS OF KNOBS, HANDLES, CAPSSES & CUSTOM PLASTIC COMPONENTS

P/N 1300-B

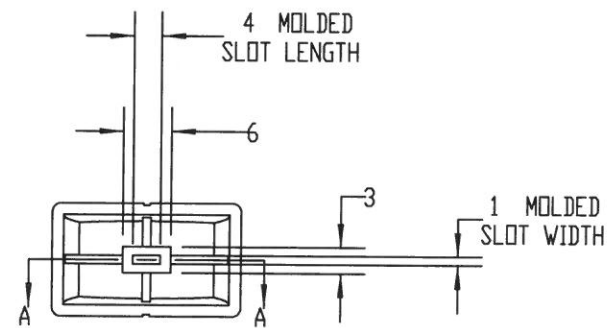


INDICATOR LINE PAINT FILLED IN WHITE ON TOP & SIDES OF PART



MOLDED RECTANGULAR SLOT

SECTION A-A



MATERIAL: NYLON
COLOR: BLACK