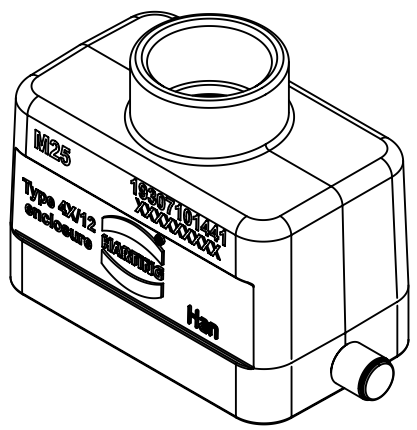
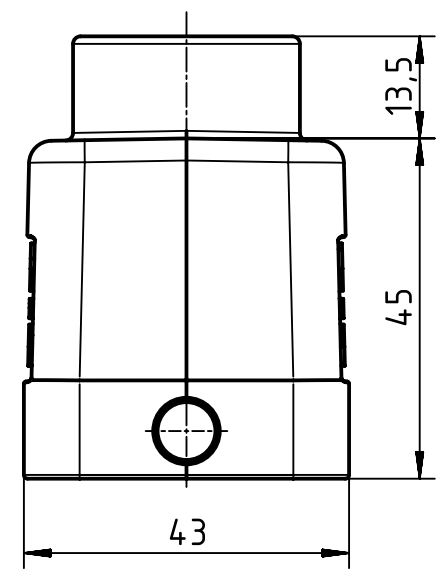
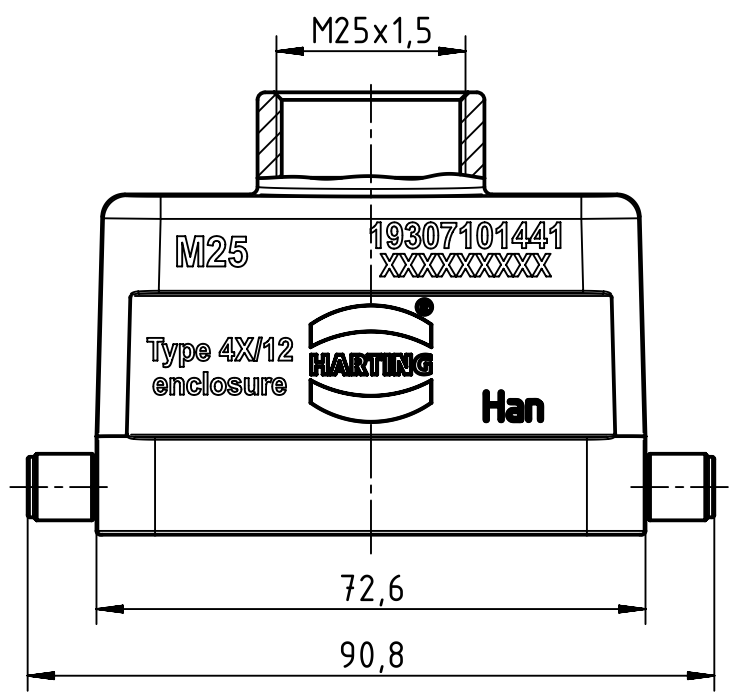


A

B

C

D



	All Dimensions in mm Original Size DIN A4	Scale 1:1		Free size tol.		Ref.	
						Sub.	
	All rights reserved Department EL PD - DE	Created by FINKEV	Inspected by BERGHORN	Standardisation TIEMANNA	Date 2017-03-09	State Final Release	
		Title 10B Hood Top Entry LC 2 Reels M25 Black					Doc-Key / ECM-Nr. 100125162/UGD/005/B 500000116489
HARTING Electric GmbH & Co. KG D-32339 Espelkamp		Type TB	Number 19 30 710 1441			Rev. B	Page 1/1