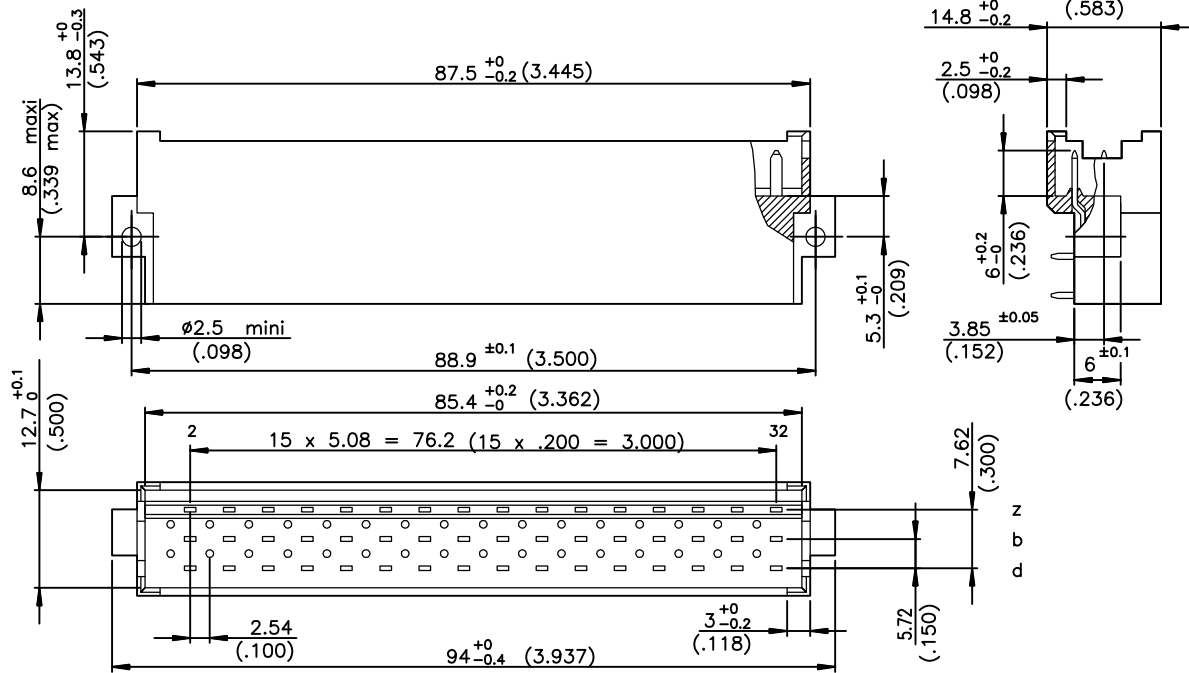


DIMENSIONS mm (inches)



ELECTRICAL DATA

-Current at AMB.	5.5 A at 20° / 4 A at 70°
-Contact resistance	≤15mΩ according to DIN 41640 Teil 4 test 2a
-Insulation resistance	≥10 MΩ according to DIN 41640 teil 7 test 3a
-TEST VOLTAGE	according to DIN 41640 teil 21
contact/contact	1550V eff
contact/ground	2500V eff

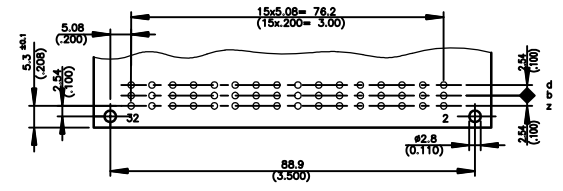
MECHANICAL DATA

-Insertion force	≤75N
-Mechanical endurance	-class 1 500 matings unmatings according to DIN41640 teil 21 -class 2 400 matings unmatings according to DIN41640 teil 21
-Material insulator	Polyester UL94V0
-Material contacts	Copper alloy
-Finishing contact surface	Gold over nickel Lead Free
-Finishing termination	Lead-Free
-Schock	≤30mΩ according to DIN 41640 Teil 14 test 6c
-Vibration	-class 1 10-2000Hz/20g according to DIN 41640 Teil 15 -class 2 10-500Hz/5g according to DIN 41640 Teil 15

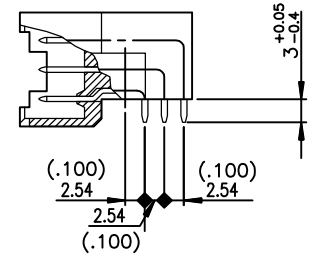
ENVIRONMENTAL DATA

-Climatic category	According to DIN 41612
-Corrosion	According to DIN 41612

P.C. CARD DRILLING (scale 1.2)



TERMINATION



NOTE RoHS INFORMATION

- The "LF" products meet European Union Directives and other country regulations as described in GS-22-008.
- The housing will withstand exposure to 260°C peak temperature for 3.5 seconds in a wave solder application with a 1.6mm minimum thick circuit board.
- For the right angled versions, like the current leaded versions, it's recommended to use high temperature adhesive or metallic device, to protect the nearest plastic part in contact with of the solder wave, to avoid any visual plastic deterioration.

European Views

www.fciconnect.com		surface	tolerance std	projection	mm
		ISO 1302 ✓	ISO 406 ISO 1101		
TOLERANCES UNLESS OTHERWISE SPECIFIED					
Dr	PESSON	2006/02/21	ANGULAR	0.X	±0.1
Eng	PESSON	2006/02/21	LINEAR	0.XX	±0.1
Chr	LEGARE	2006/02/21	0.XX ±Z	0.XXX	±0.1
Appr	LEGARE	2006/02/21	Product family	DIN POWER	Spec ref -
FCI			title		Rev.
			PLUGS MEDIUM POWER		C01-5159-0037
			3 ROW STYLE F		H
			catalog no		CUSTOMER sheet 1 of 1

PART NUMBER	5159009	LF
NUMBER OF CONTACTS	32 or 48	
TERMINATION	Angled spills Right angled press-fit	
PERFORMANCE CLASS	DIN 41612 class 2 DIN 41612 class 1	
CONTACT ARRANGEMENT	Row z, b and d with contacts (48) 111 Row z and d with contacts (32) 101 Row z and b with contacts (32) 110	
LEAD-FREE		