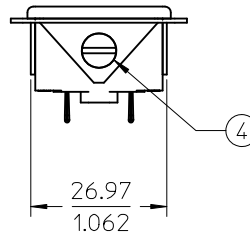
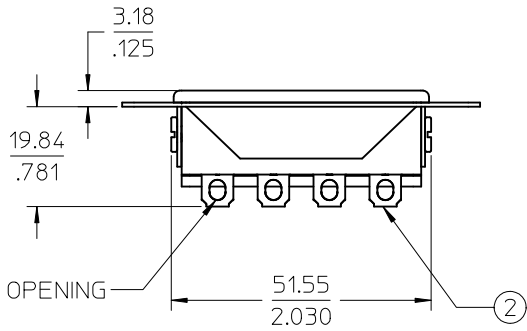
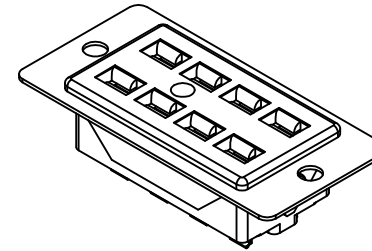
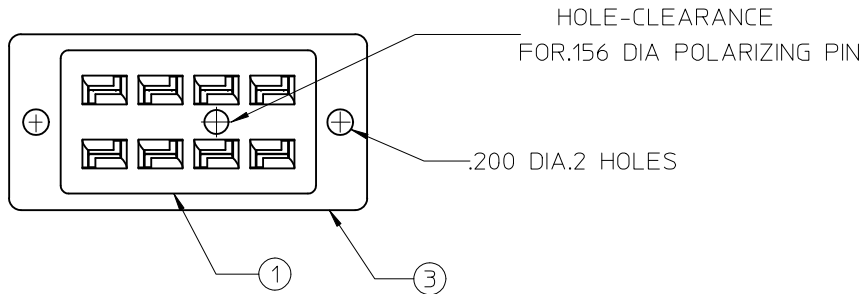
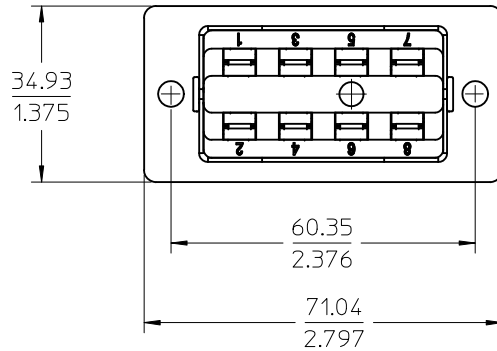


10 9 8 7 6 5 4 3 2 1



SOLDERING OPENING
1/8 X 5/32



NOTES:
1.ASSEMBLY IS ROHS COMPLAINT

ITEM	QTY	DESCRIPTION	MATERIAL	FINISH
4	2	SCREW #6-32X.312 PAN SLOT NI/STEEL	STEEL	NICKEL
3	1	BRACKET SHALLOW 5408 PAINT	STEEL	BLACK PAINT/ZINC
2	8	CONTACT S3 5400 SN/D	PHOS.BRONZE	TIN
1	1	BASE SOCKET 5408 MOGPP	PHENOLIC	BLACK

INITIAL RELEASE EC NO: WNA2010-0273 DRWNGES 2009/10/23 CHKD:CLYORK 2010/05/11 APPR:DTITUS 2010/07/12	DESCRIPTION REV	QUALITY SYMBOLS	GENERAL TOLERANCES (UNLESS SPECIFIED)	DIMENSION STYLE	SCALE	DESIGN UNITS	THIRD ANGLE PROJECTION		
		▼=0 □=0	mm INCH 4 PLACES ± --- ± --- 3 PLACES ± --- ± .015 2 PLACES ± 0.38 ± --- 1 PLACE ± --- ± --- ANGULAR ± 1/2°	MM/IN	1:1	INCH	DRAWN BY: CLYORK DATE: 2009/10/22 CHECKED BY: CLYORK DATE: 2010/05/11 APPROVED BY: RDEROSS DATE: 2009/10/22	TITLE	
		DRAFT WHERE APPLICABLE MUST REMAIN WITHIN DIMENSIONS		MATERIAL NO.	MOLEX INCORPORATED		DOCUMENT NO.		SHEET NO.
		SIZE A3		385421408	SD-38542-008		1 OF 1		

SOCKET S3, SB 5408 ASY



MOLEX INCORPORATED

385421408

SD-38542-008

1 OF 1

9 8 7 6 5 4 3 2 1