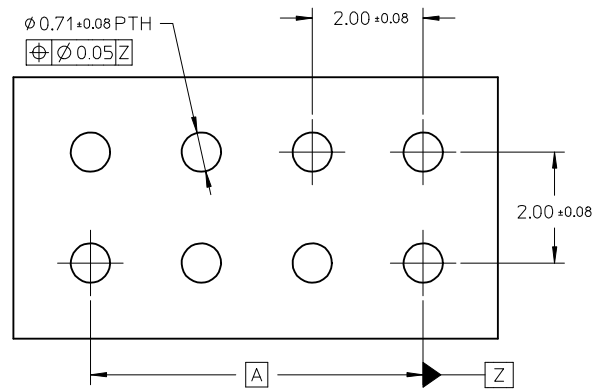
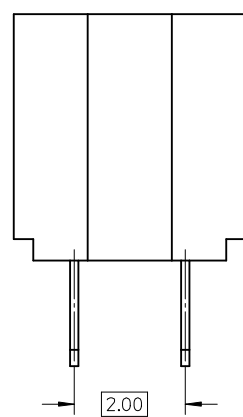
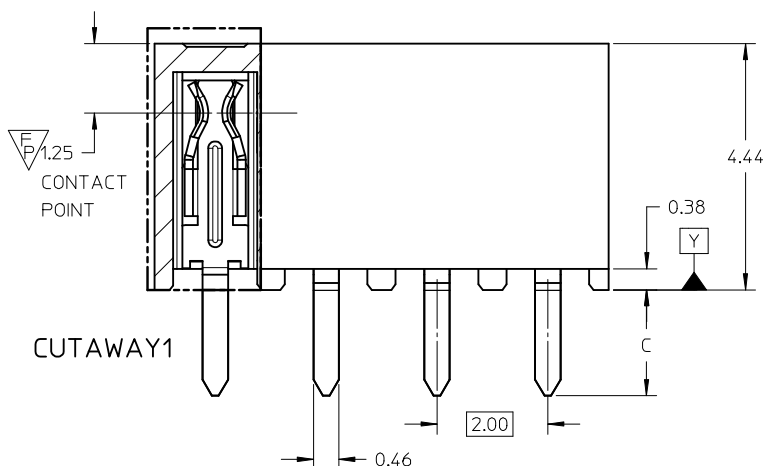


- NOTES:
- MATERIALS:
HOUSING: LCP, GLASS FILLED, UL94V-0, BLACK
TERMINAL: COPPER ALLOY
 - FINISHES: 2.50µM TIN OVER 1.25µM NICKEL UNDERPLATE
 - PRODUCT SPECIFICATION: PS-78787-001
 - PACKAGING SPECIFICATION: PK-78787-001
 - MATES WITH: 87758, 87759, 87760, 87831, 87832, 87833
 - MOLEX LOGO AND CAVITY ID IS LOCATED APPROXIMATELY AS SHOWN
 - FOR ILLUSTRATION, 8 CIRCUITS IS SHOWN
 - CIRCUIT NUMBERS ARE COUNTED FROM LEFT TO RIGHT ON TOP VIEW (GATE RECESS ON THE RIGHT AS SHOWN)
 - SEE SHEET 2 FOR CIRCUIT SIZE PART NUMBER & DIMENSIONS



RELEASE TO REV A EC NO: S2015-0470 DRWG:GMENARLY 2015/05/22 CHKD:CGOH 2015/07/01 APPR:KHLIM 2015/07/02	QUALITY SYMBOLS $F_A=0$ $F_G=0$ $F_P=1$	GENERAL TOLERANCES (UNLESS SPECIFIED)		DIMENSION STYLE MM ONLY		SCALE NTS	DESIGN UNITS METRIC	THIRD ANGLE PROJECTION		
		mm	INCH	DRAWN BY GMENARLY	DATE 2012/12/13	TITLE SALES DRAWING 2MM DUAL ROW TH MILLIGRID VERT RECEPT				
		4 PLACES	± ---	± ---	CHECKED BY SCHEONG	DATE 2013/05/29	molex MATERIAL NO. SD-78787-001 DOCUMENT NO. SHEET NO. 1 OF 2			
		3 PLACES	± ---	± ---	APPROVED BY BOKOK	DATE 2013/05/30				
ANGULAR ±1/2°		DRAFT WHERE APPLICABLE MUST REMAIN WITHIN DIMENSIONS		SEE TABLE		THIS DRAWING CONTAINS INFORMATION THAT IS PROPRIETARY TO MOLEX INCORPORATED AND SHOULD NOT BE USED WITHOUT WRITTEN PERMISSION				

	10	9	8	7	6	5	4	3	2	1		
	CIRCUIT NUMBER	PART NUMBER	DIM A	DIM B	DIM C	DIM D	CIRCUIT NUMBER	PART NUMBER	DIM A	DIM B	DIM C	DIM D
F	6	78787-0654	4	6.19	1.91	2.00	6	78787-0664	4	6.19	3.00	2.00
	8	78787-0854	6	8.19		3.00	8	78787-0864	6	8.19		3.00
	10	78787-1054	8	10.19		4.00	10	78787-1064	8	10.19		4.00
	12	78787-1254	10	12.19		5.00	12	78787-1264	10	12.19		5.00
	14	78787-1454	12	14.19		6.00	14	78787-1464	12	14.19		6.00
	16	78787-1654	14	16.19		7.00	16	78787-1664	14	16.19		7.00
	18	78787-1854	16	18.19		8.00	18	78787-1864	16	18.19		8.00
	20	78787-2054	18	20.19		9.00	20	78787-2064	18	20.19		9.00
E	22	78787-2254	20	22.19		10.00	22	78787-2264	20	22.19		10.00
	24	78787-2454	22	24.19		11.00	24	78787-2464	22	24.19		11.00
	26	78787-2654	24	26.19		12.00	26	78787-2664	24	26.19		12.00
	28	78787-2854	26	28.19		13.00	28	78787-2864	26	28.19		13.00
	30	78787-3054	28	30.19		14.00	30	78787-3064	28	30.19		14.00
	32	78787-3254	30	32.19		15.00	32	78787-3264	30	32.19		15.00
	34	78787-3454	32	34.19		16.00	34	78787-3464	32	34.19		16.00
D	36	78787-3654	34	36.19		17.00	36	78787-3664	34	36.19		17.00
	38	78787-3854	36	38.19		18.00	38	78787-3864	36	38.19		18.00
	40	78787-4054	38	40.19		19.00	40	78787-4064	38	40.19		19.00
	42	78787-4254	40	42.19		20.00	42	78787-4264	40	42.19		20.00
	44	78787-4454	42	44.19		21.00	44	78787-4464	42	44.19		21.00
	46	78787-4654	44	46.19		22.00	46	78787-4664	44	46.19		22.00
	48	78787-4854	46	48.19		23.00	48	78787-4864	46	48.19		23.00
	50	78787-5054	48	50.19		24.00	50	78787-5064	48	50.19		24.00

PART NUMBER LEGEND

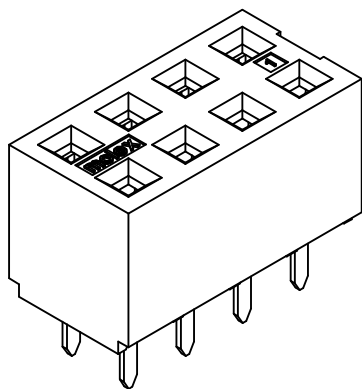
78787 - XXX4

CIRCUIT NUMBER

5. DIM C = 1.91MM
RECOMMENDED PCB THICKNESS = 0.80MM

6. DIM C = 3.00MM
RECOMMENDED PCB THICKNESS = 1.60MM

4. WITHOUT CAP IN TUBE



RELEASE TO REV A EC NO: S2015-0470 DRWN:GMENARLY 2015/05/22 CHKD:CGOH 2015/07/01 APPR:KHLIM 2015/07/02	QUALITY SYMBOLS $\nabla_A = 0$ $\nabla_C = 0$ $\nabla_P = 0$	GENERAL TOLERANCES (UNLESS SPECIFIED)		DIMENSION STYLE MM ONLY		SCALE NTS	DESIGN UNITS METRIC	THIRD ANGLE PROJECTION			
		mm	INCH	DRAWN BY GMENARLY	DATE 2012/12/13	TITLE SALES DRAWING 2MM DUAL ROW TH MILLIGRID VERT RECEPT					
		4 PLACES	± ---	± ---	CHECKED BY SCHEONG	DATE 2013/05/29					
		3 PLACES	± ---	± ---	APPROVED BY BOKOK	DATE 2013/05/30					
2 PLACES	± 0.25	± ---	MATERIAL NO.		DOCUMENT NO.		SHEET NO.				
1 PLACE	± ---	± ---	SEE TABLE		SD-78787-001		2 OF 2				
0 PLACE	± ---	± ---	DRAFT WHERE APPLICABLE MUST REMAIN WITHIN DIMENSIONS		THIS DRAWING CONTAINS INFORMATION THAT IS PROPRIETARY TO MOLEX INCORPORATED AND SHOULD NOT BE USED WITHOUT WRITTEN PERMISSION						