

Table with columns: PART NUMBER, REVISION, DESCRIPTION, FEED TYPE, CONVERT TO, PART NUMBERS REQUIRED. Title: APPLICATOR STYLE CONVERSION CHART.

APPLICATOR DATA table with columns: CRIMP, SIZE, TYPE. Rows: WIRE, INSUL.

APPLICATOR INSTRUCTIONS 408-10389

Terminal data and specifications table including: TERMINAL DATA, WIRE STRIP LENGTH, INSULATION DIAMETER RANGE, and TERMINALS APPLIED.

Table showing wire size, crimp height, and reference settings for different wire gauges.

- RECOMMENDED SPARE PARTS
GREASE BEARING SURFACES LIGHTLY
LUBRICATE DAILY PER THE APPLICATOR INSTRUCTION SHEET SUPPLIED WITH THE APPLICATOR.
APPLICATOR SPECIFIC DATA TO BE ENTERED INTO BLANK MEMORY CHIP AT ASSEMBLY...

*WARNING ON INSTALLATION, SET WIRE DISC, ITEM 40 TO LARGEST WIRE SIZE SETTING. USE OF SETTINGS BELOW MINIMUM REQUIRED CRIMP HEIGHT SETTING WILL CAUSE DAMAGE TO CRIMP TOOLING.

ATLANTIC VERSION Shown on sheets 1 of 4 & 2 of 4 (Pacific version shown on sheets 3 of 4 & 4 of 4)

SET UP GAUGE 2119599-1 table with columns: P, LTM, DESCRIPTION, DATE, DWN, APVD.

Large assembly list table with columns: P, LTM, DESCRIPTION, DATE, DWN, APVD. Includes items like APPLICATOR SHIM PACK, O-RING, PUSH ROD, etc.

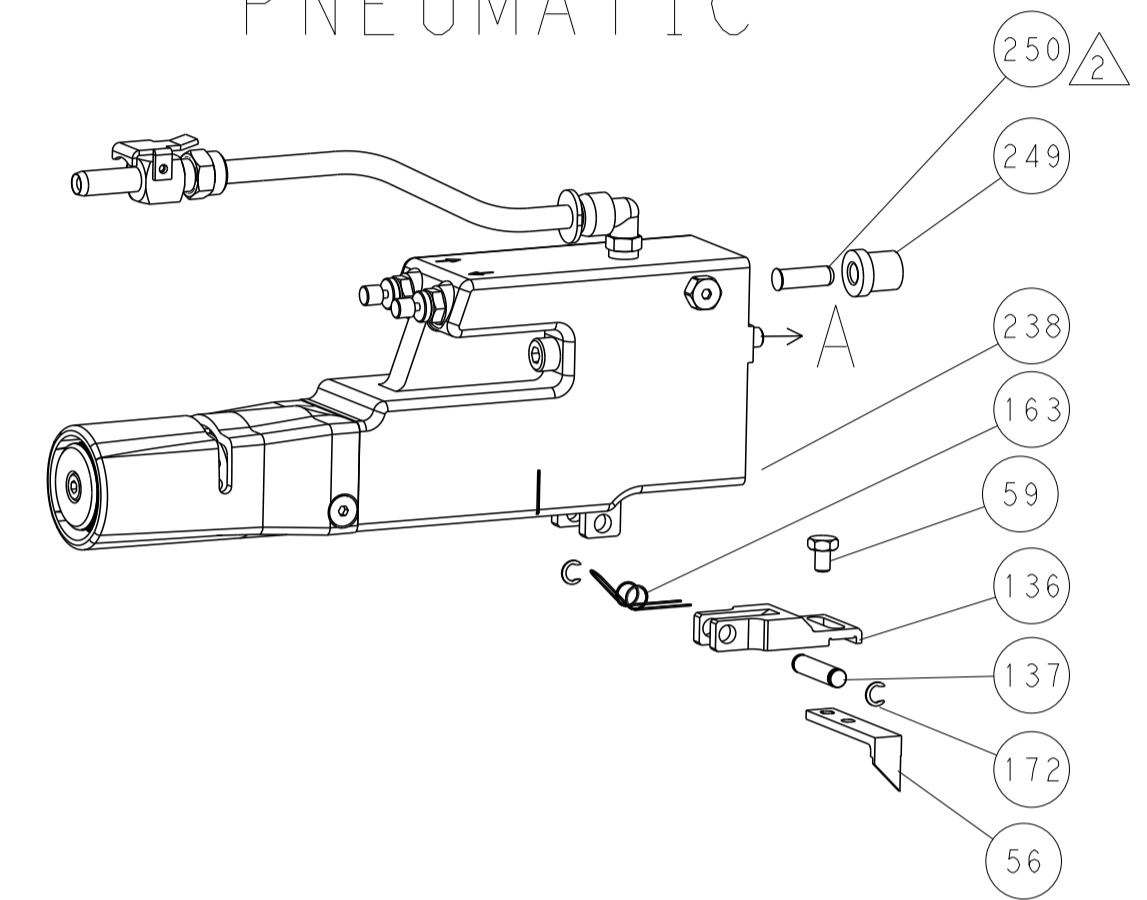
Technical specifications section including: DIMENSIONS, TOLERANCES UNLESS OTHERWISE SPECIFIED, MATERIAL, FINISH, WEIGHT, and drawing metadata.

LOC	DIST	REV	DATE	BY	APPV
A	66				

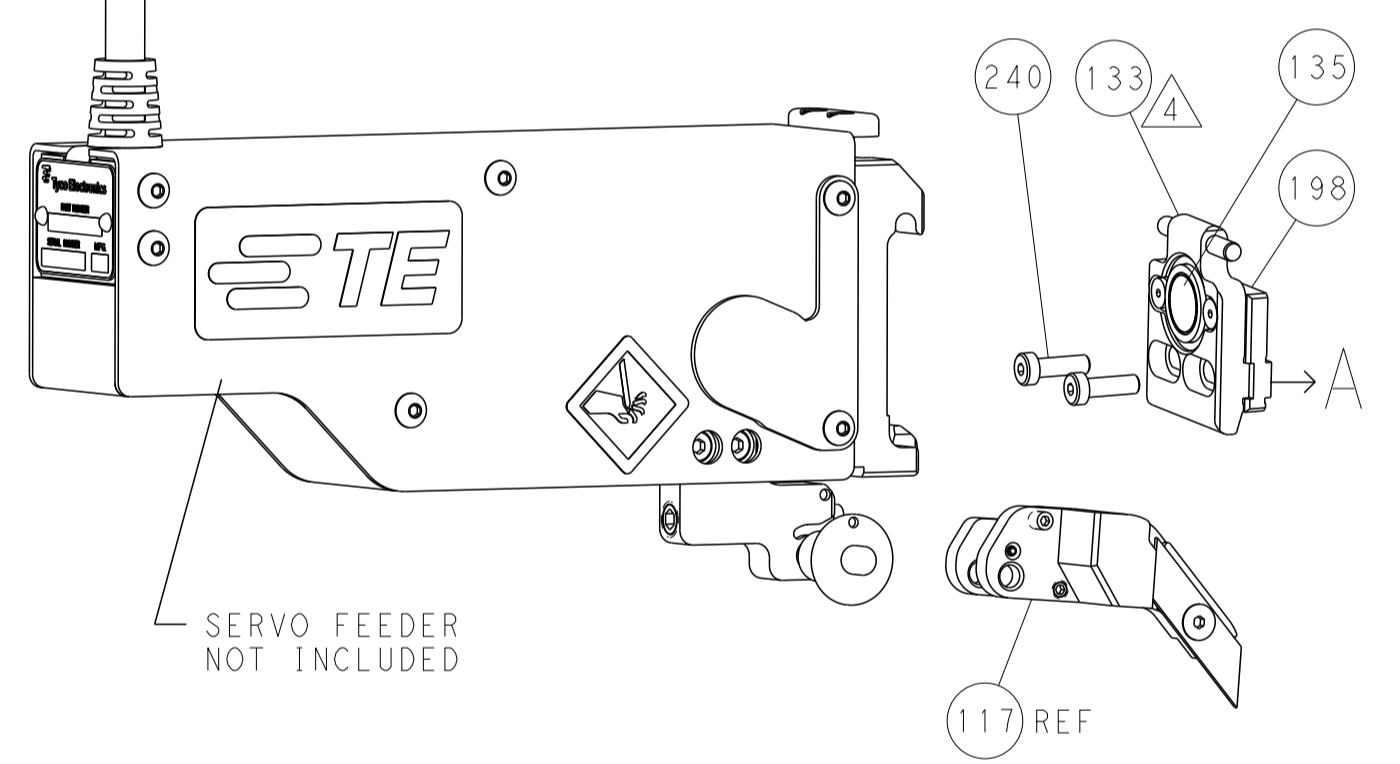
REVISIONS			
REV	DATE	BY	APPV
-	SEE SHEET 1	-	-

FEED TYPE

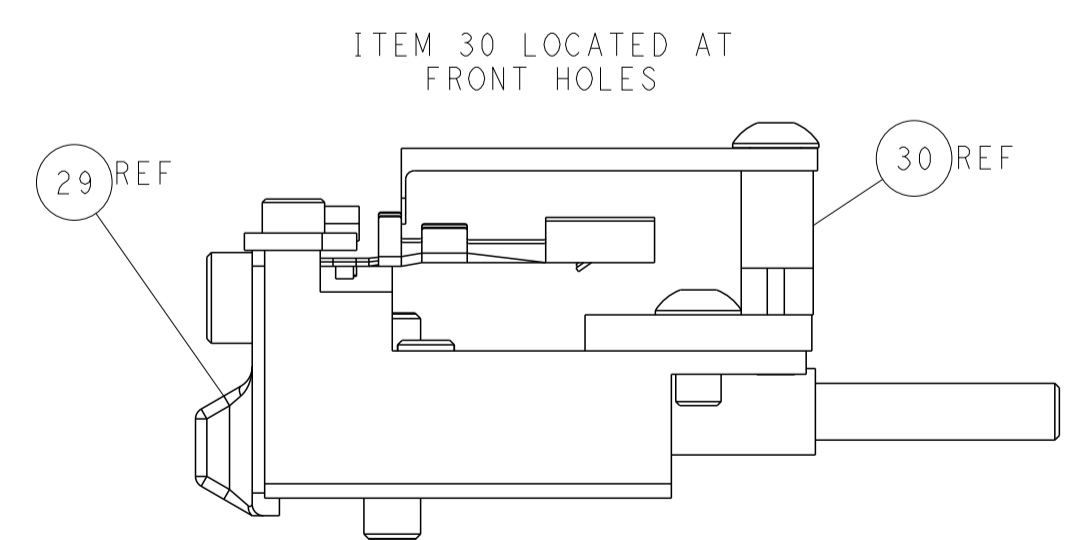
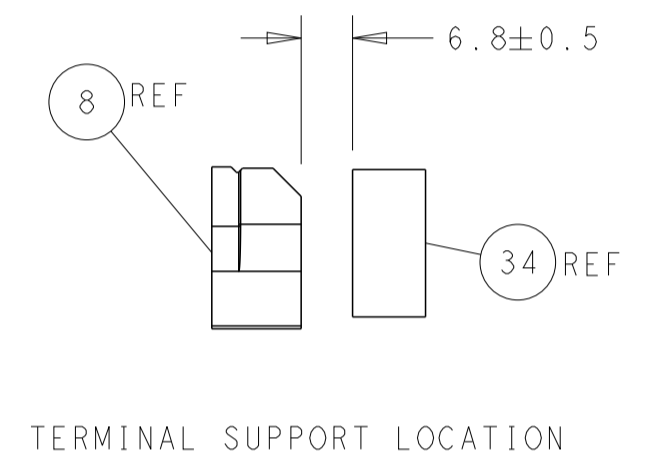
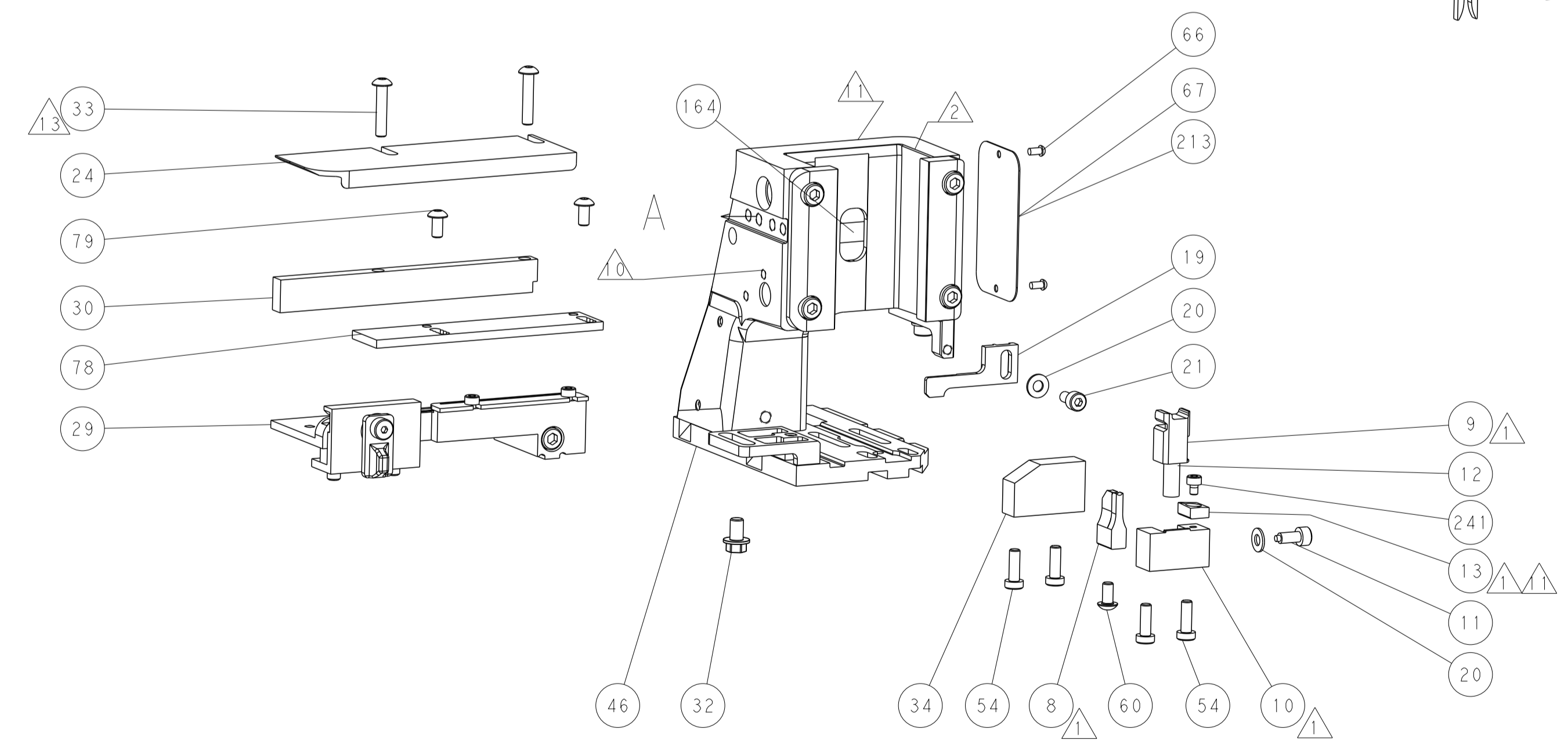
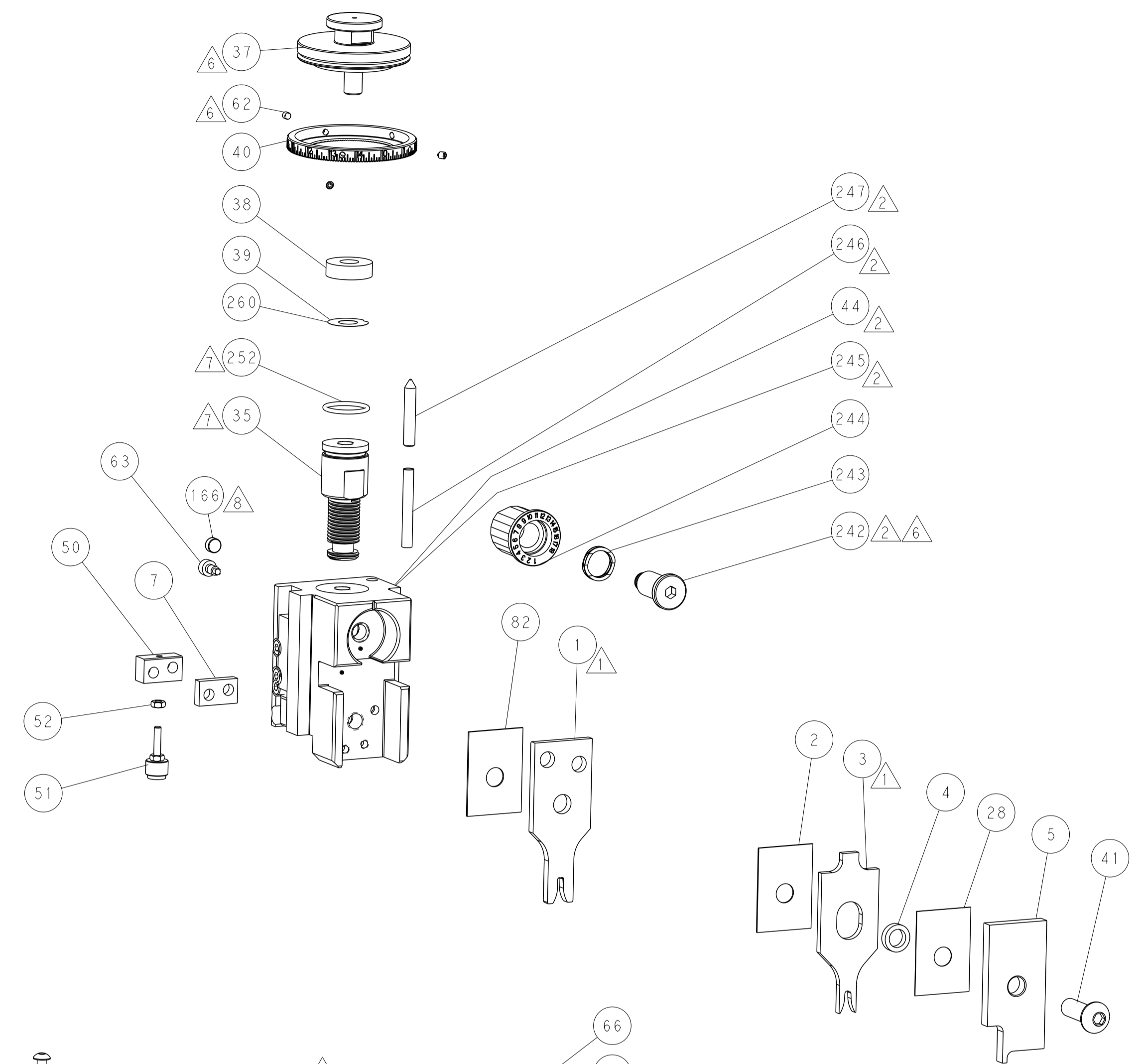
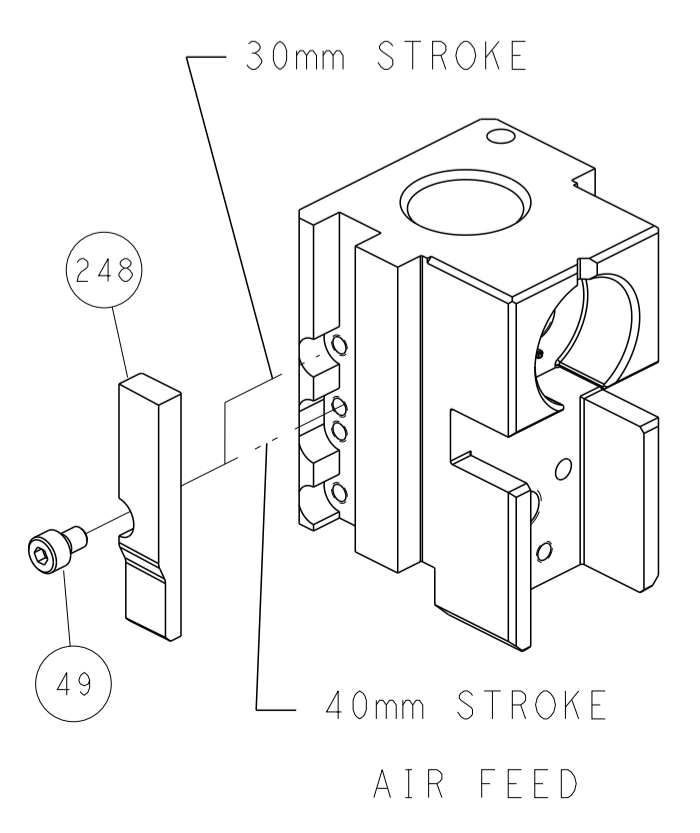
PNEUMATIC



SERVO LATCH PLATE



CAM POSITION



FEED TRACK POSITION GUIDE BY INSULATION BARREL

ATLANTIC VERSION
 Shown on sheets 1 of 4 & 2 of 4
 (Pacific version shown on sheets 3 of 4 & 4 of 4)

DIMENSIONS:		TOLERANCES UNLESS OTHERWISE SPECIFIED:		DWN J.HOU 30JULY2014		TE Connectivity	
mm	0 PLC ±	1 PLC ±	2 PLC ±	3 PLC ±	4 PLC ±	ANGLES ±	FINISH ±
MATERIAL							
Customer Accessible Production Drawing				SCALE 1:2	SHEET 2 OF 4	REV B	

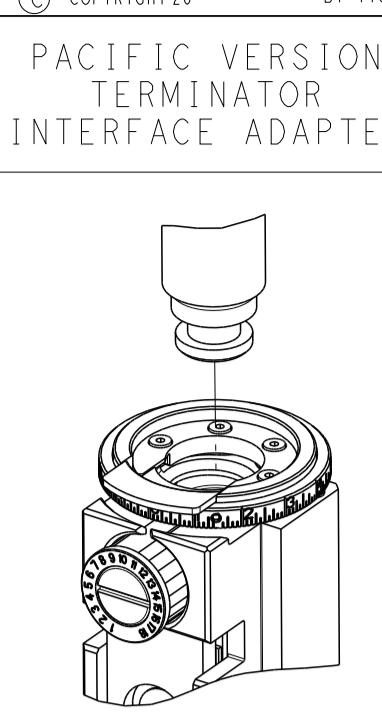


Table with columns: PART NUMBER, REVISION, DESCRIPTION, FEED TYPE, CONVERT TO, PART NUMBERS REQUIRED. Contains conversion data for Pacific Version Terminator Interface Adapter.

Table with columns: SET UP GAUGE, DIST, REVISIONS. Includes part number 2119599-1 and revision 66.

Table with columns: CRIMP, SIZE, TYPE. Includes APPLICATOR INSTRUCTIONS 408-10389.

Terminal Data table with columns: TE TERMINAL, YAZAKI TERMINAL. Includes terminal part numbers like 2113144-1 and 7116-4120-02.

Table with columns: WIRE SIZE, CRIMP HEIGHT mm [INCH], CRIMP HEIGHT REFERENCE SETTING. Includes wire sizes 1.25mm2, 0.75mm2, 0.50mm2.

Large table listing various components with columns: QTY, PART NO, DESCRIPTION, ITEM NO. Lists items like FINE ADJUST HEAD ASM, PUSH ROD, AIR FEED, BUSHING, etc.

*WARNING ON INSTALLATION, SET WIRE DISC, ITEM 40 TO LARGEST WIRE SIZE SETTING. USE OF SETTINGS BELOW MINIMUM REQUIRED CRIMP HEIGHT SETTING WILL CAUSE DAMAGE TO CRIMP TOOLING.

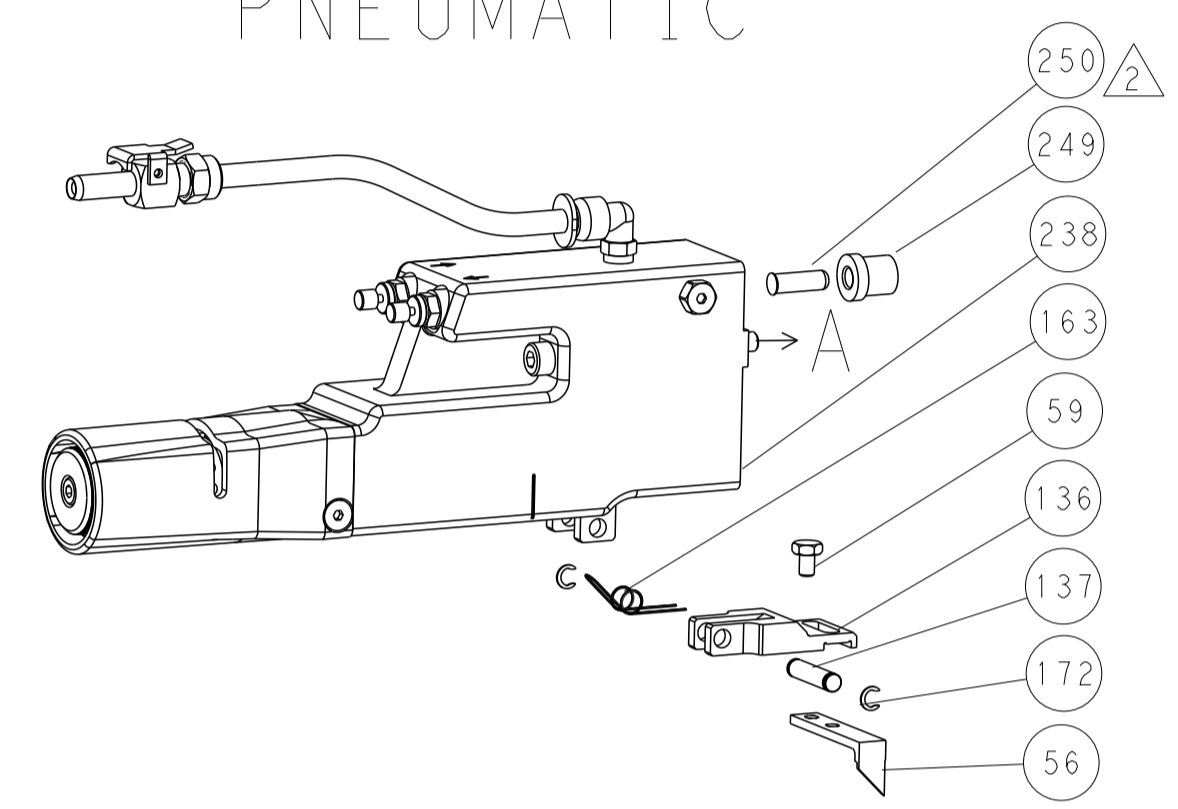
- 1 RECOMMENDED SPARE PARTS
2 GREASE BEARING SURFACES LIGHTLY
3 LUBRICATE DAILY PER THE APPLICATOR INSTRUCTION SHEET SUPPLIED WITH THE APPLICATOR.
4 APPLICATOR SPECIFIC DATA TO BE ENTERED INTO BLANK MEMORY CHIP AT ASSEMBLY...

PACIFIC VERSION Shown on sheets 3 of 4 & 4 of 4 (Atlantic version shown on sheets 1 of 4 & 2 of 4)

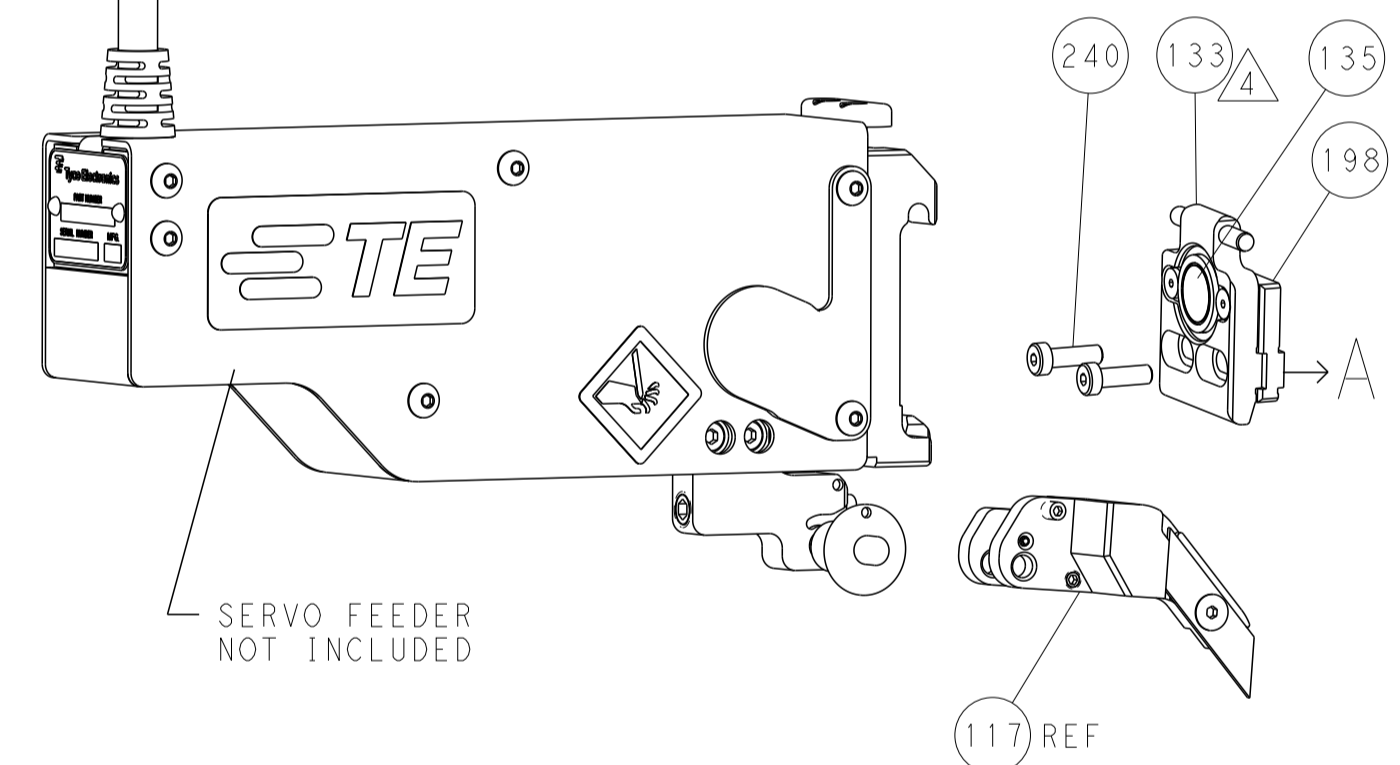
Technical drawing information block including dimensions, tolerances, material, weight, and customer accessible production drawing details.

LOC		DIST		REVISIONS			
A	66	P	LTH	DESCRIPTION	DATE	DWN	APVD
-	-	-	-	SEE SHEET 1	-	-	-

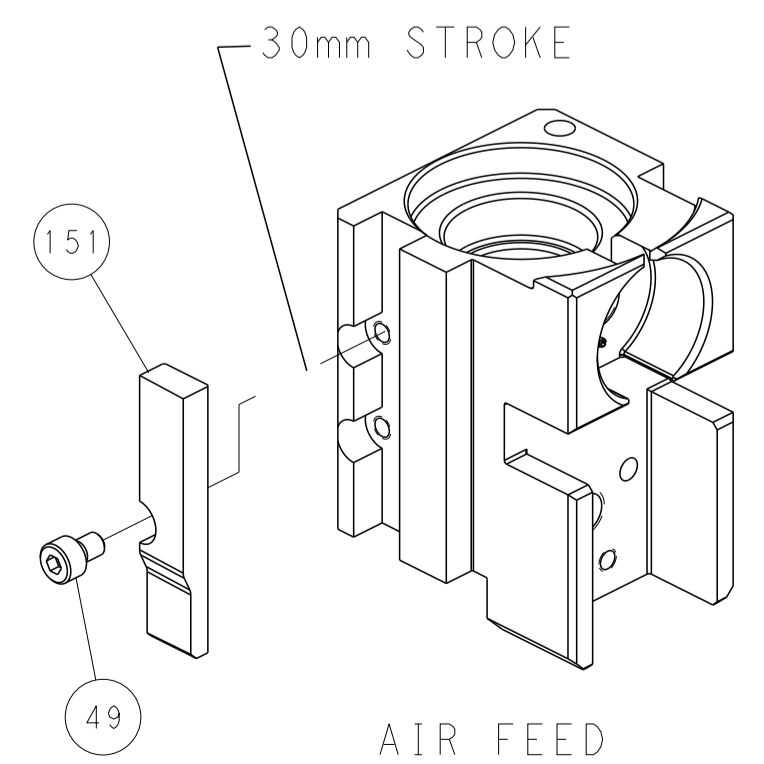
FEED TYPE PNEUMATIC



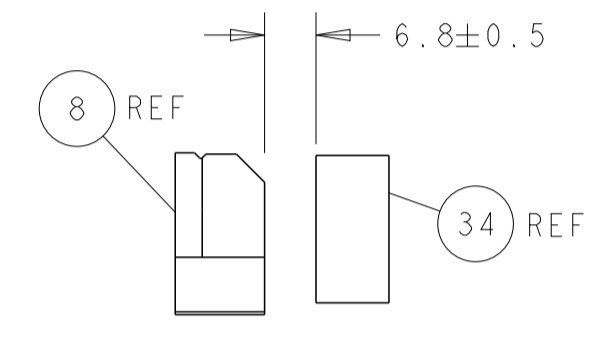
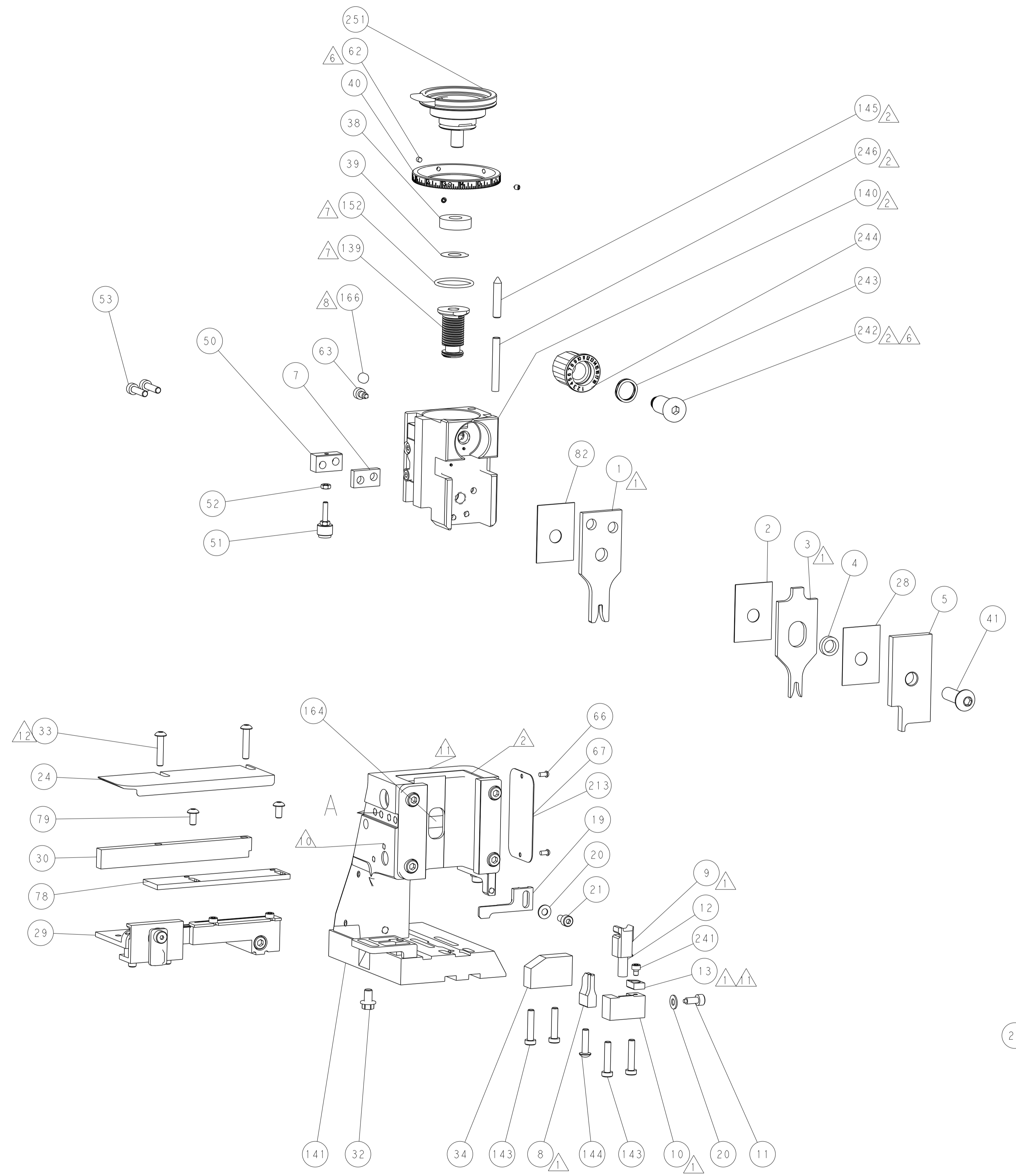
SERVO LATCH PLATE



CAM POSITION

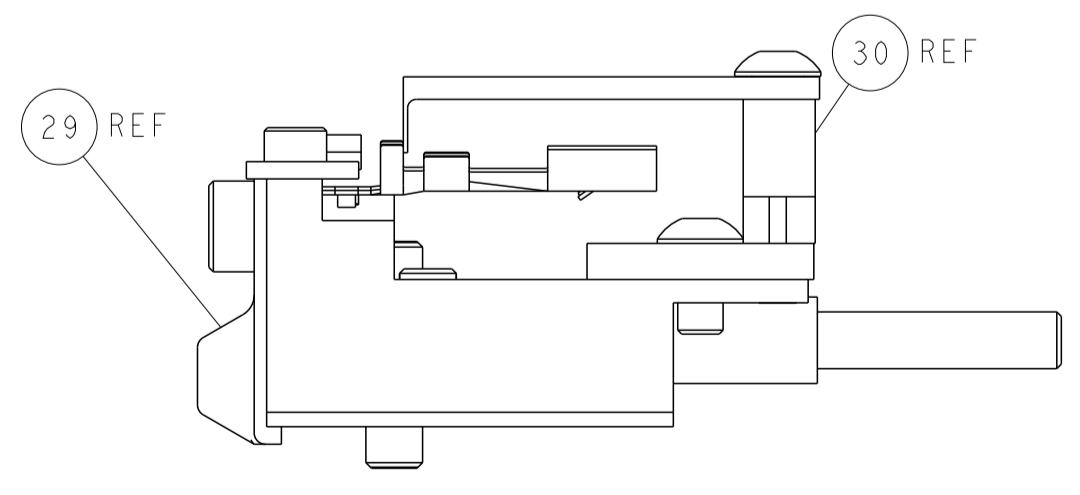


AIR FEED



TERMINAL SUPPORT LOCATION

ITEM 30 LOCATED AT FRONT HOLES



FEED TRACK POSITION
GUIDE BY INSULATION BARREL

PACIFIC VERSION
 Shown on sheets 3 of 4 & 4 of 4
 (Atlantic version shown on sheets 1 of 4 & 2 of 4)

<small>THIS DRAWING IS UNPUBLISHED. RELEASED FOR PUBLICATION. IT IS THE PROPERTY OF TYCO ELECTRONICS CORPORATION. IT IS TO BE USED ONLY FOR THE PROJECT AND INSTANTANEOUS ORGANIZATION. SHOULD BE CONTACTED FOR THE LATEST REVISION.</small>		DWN: J. HOU CHK: Y. YIN APVD: H. GUO DATE: 30JULY2014	NAME: Ocean Side Feed Applicator SIZE: A1 SCALE: 1:2
DIMENSIONS: mm TOLERANCES UNLESS OTHERWISE SPECIFIED: 0 PLC ± 1 PLC ± 2 PLC ± 3 PLC ± 4 PLC ± ANGLES ± MATERIAL: - FINISH: -	PRODUCT SPEC: - APPLICATION SPEC: - WEIGHT: - RESTRICTED TO: -	CAGE CODE: 00779 DRAWING NO: 2266451 SHEET 4 OF 4 REV B	TE Connectivity Harrisburg, PA 17105-3608