

PRODUCT DATA DRAWING

| REVISION HISTORY | | | |
|------------------|----------------|-------|----------|
| REV | DESCRIPTION | DATE | APPROVED |
| B | REV. DCN 32852 | 03/05 | VMJ |
| | | | |

MATERIALS:

INSULATORS: PTFE PER ASTM D1710, TYPE 1, GRADE 1, CLASS B.

SLEEVE: STAINLESS STEEL PER AMS-5640, ALLOY UNS S30300, TYPE 303, COND. A

BODY & CONTACT: BERYLLIUM COPPER PER ASTM B196, ALLOY C17300, COND. TD04

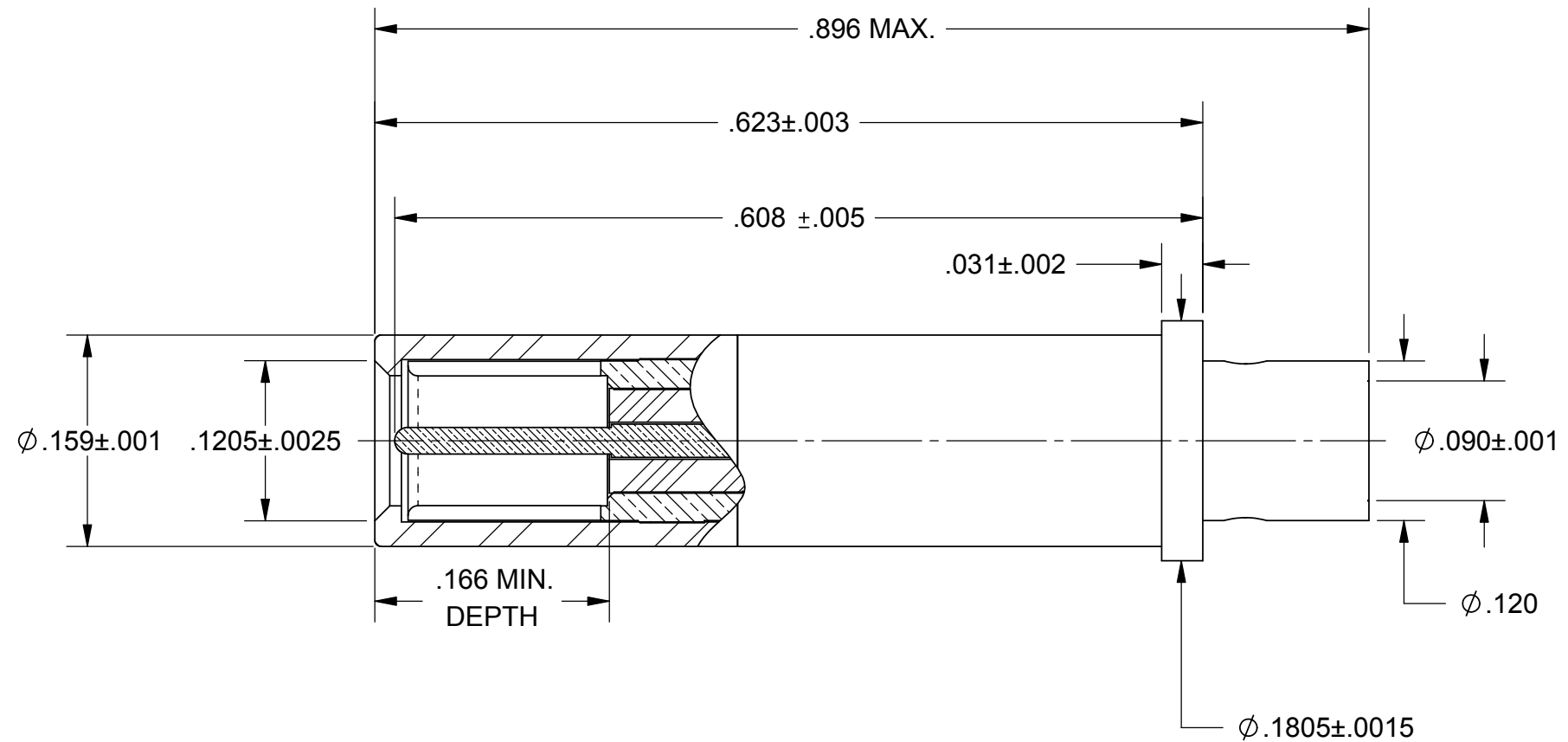
SHRINK TUBING: POLYOLEFIN PER SAE AMS-DTL-23053/5-105-0

FINISHES:

BODIES & CONTACT: GOLD PER ASTM B488, TYPE II, GRADE C, CLASS 1.27 OVER NICKEL PER AMS-QQ-N-290 CLASS 1, .00005" MIN.

ELECTRICAL:

IMPEDANCE: 50 OHMS
 FREQ. RANGE: DC TO 3 GHz
 INSUL. RES.: 5,000 MEGOHMS MIN.
 D.W.V: 1,000 VRMS MIN.
 VSWR: 1.20 + .04 X F IN GHz
 INSERTION LOSS: .11 X SQUARE ROOT OF F(GHz)
 (MAX FREQ. CAN BE LIMITED BY CABLE)



REF. AS39029/103 & MIL-DTL-38999 SERIES III

| | | | |
|--|--|---|--|
| MATERIAL: SEE ABOVE | DIMENSIONS ARE IN INCHES TOLERANCES: FRACTIONAL: ±1/64 ANGULAR: X° ±1'0" X*X' ±15' | UNLESS OTHERWISE SPECIFIED 1) ALL DIMENSIONS ARE AFTER PLATING. 2) BREAK CORNERS & EDGES .005 R. MAX. 3) CHAM. 1ST & LAST THREADS. 4) SURFACE ROUGHNESS 63√ MIL-STD-10. 5) DIA.'S ON COMMON CENTERS TO BE CONCENTRIC WITHIN .005 T.I.R. 6) REMOVE ALL BURRS | SV Microwave, Inc. 2400 Centrepark West Drive, Suite 100 West Palm Beach, FL 33409 TITLE: SIZE 12 SOCKET FOR T-FLEX 405 CABLE |
| FINISH: SEE ABOVE | DECIMAL: .X ±.030 .XX ±.010 .XXX ±.005 | INTERPRET DIMENSIONS AND TOLERANCES PER ASME Y14.5M - 1994 | |
| PROPRIETARY THE INFORMATION CONTAINED IN THIS DRAWING IS THE SOLE PROPERTY OF SV MICROWAVE, INC. ANY REPRODUCTION IN PART OR AS A WHOLE WITHOUT THE WRITTEN PERMISSION OF SV MICROWAVE, INC IS PROHIBITED. | THIRD ANGLE PROJECTION | DRAWN: VMJ 11/30/04 | SIZE CAGE CODE DWG. NO. B 95077 8001-4104 |
| | | CHECKED: JMC 11/30/04 | SCALE: 8:1 |
| | | APPROVED: JMC 11/30/04 | SHEET 1 OF 1 |
| | | E.M. SIMULATION: N/A | |