

CNA6P1X7R1H106K250AE

TDK Item Description : CNA6P1X7R1H106KT***A



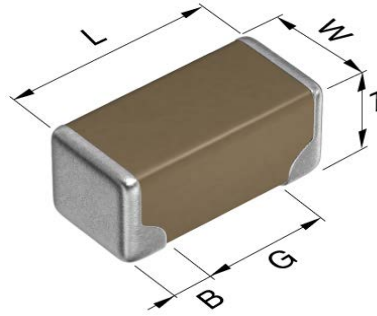
Equivalent CNC6P1X7R1H106K for Automotive

Application & Main Feature

Automotive Grade (Low Resistance Soft Termination)

Series

CNA6(3225) [EIA CC1210]



Dimensions

L	3.20mm +/-0.3mm
W	2.50mm +/-0.2mm
T	2.50mm +/-0.2mm
B	0.50mm Min.
G	

Temperature Characteristic

X7R (-55 to 125 degC +/-15%)

Rated Voltage

1H (50Vdc)

Capacitance

10uF

Capacitance Tolerance

K (+/-10%)

Dissipation Factor

5% Max.

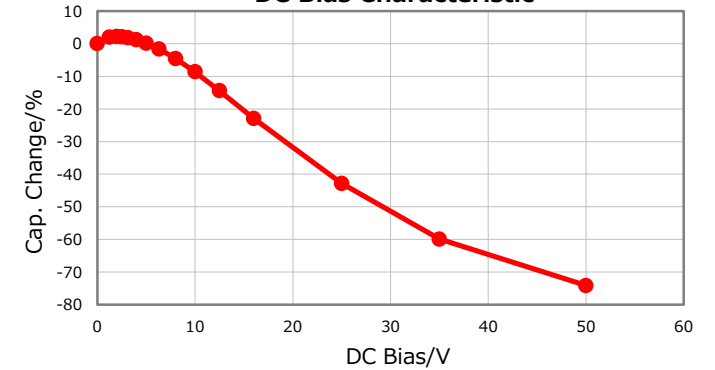
Insulation Resistance

50Mohm Min.

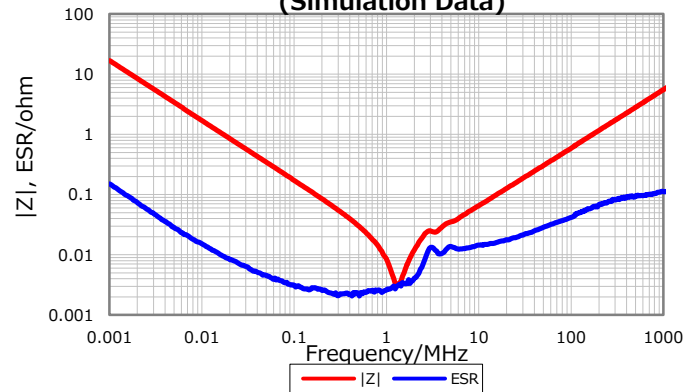
AEC-Q200

Yes

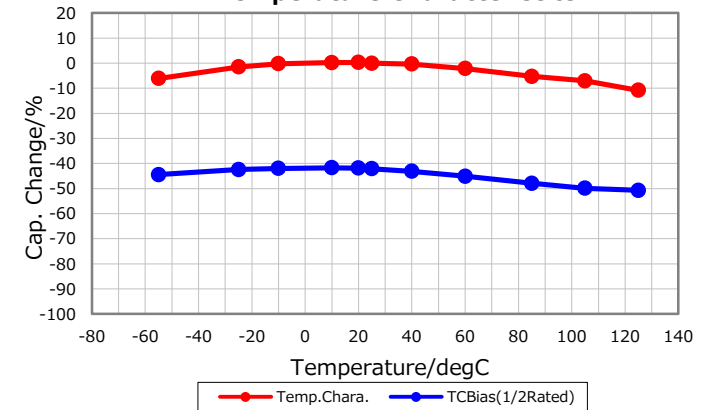
DC Bias Characteristic



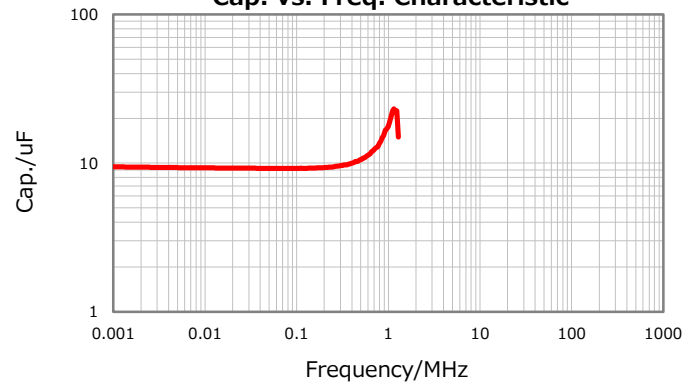
|Z|, ESR vs. Freq. Characteristics (Simulation Data)



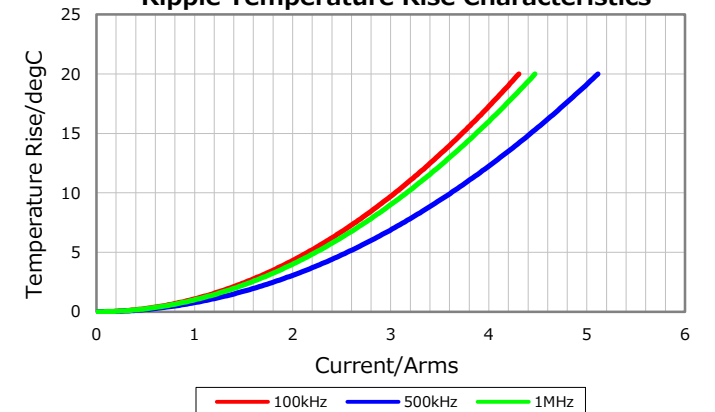
Temperature Characteristics



Cap. vs. Freq. Characteristic



Ripple Temperature Rise Characteristics



Characterization Sheet (Multilayer Ceramic Chip Capacitors)



All specifications are subject to change without notice.

April 11, 2018