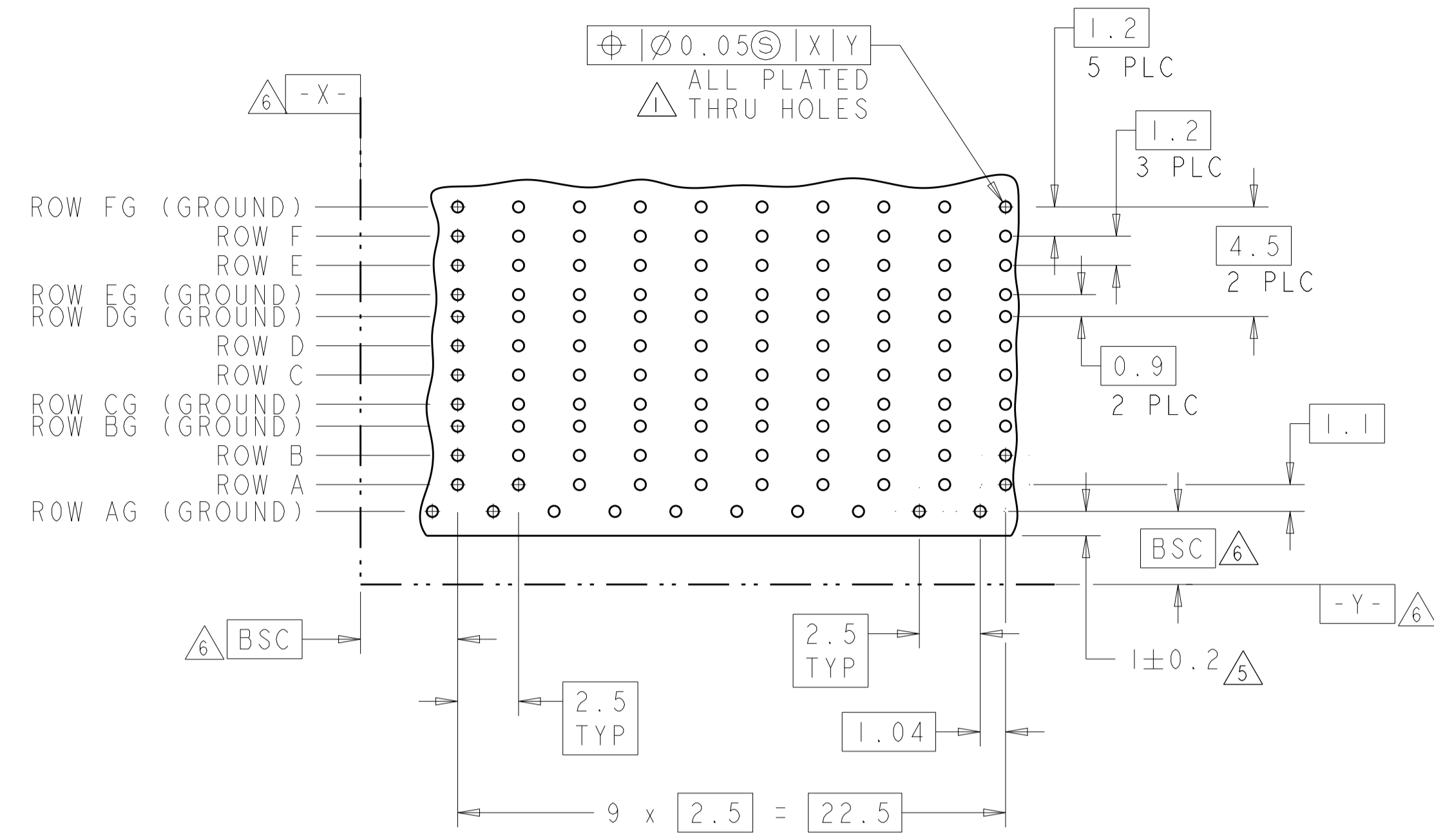
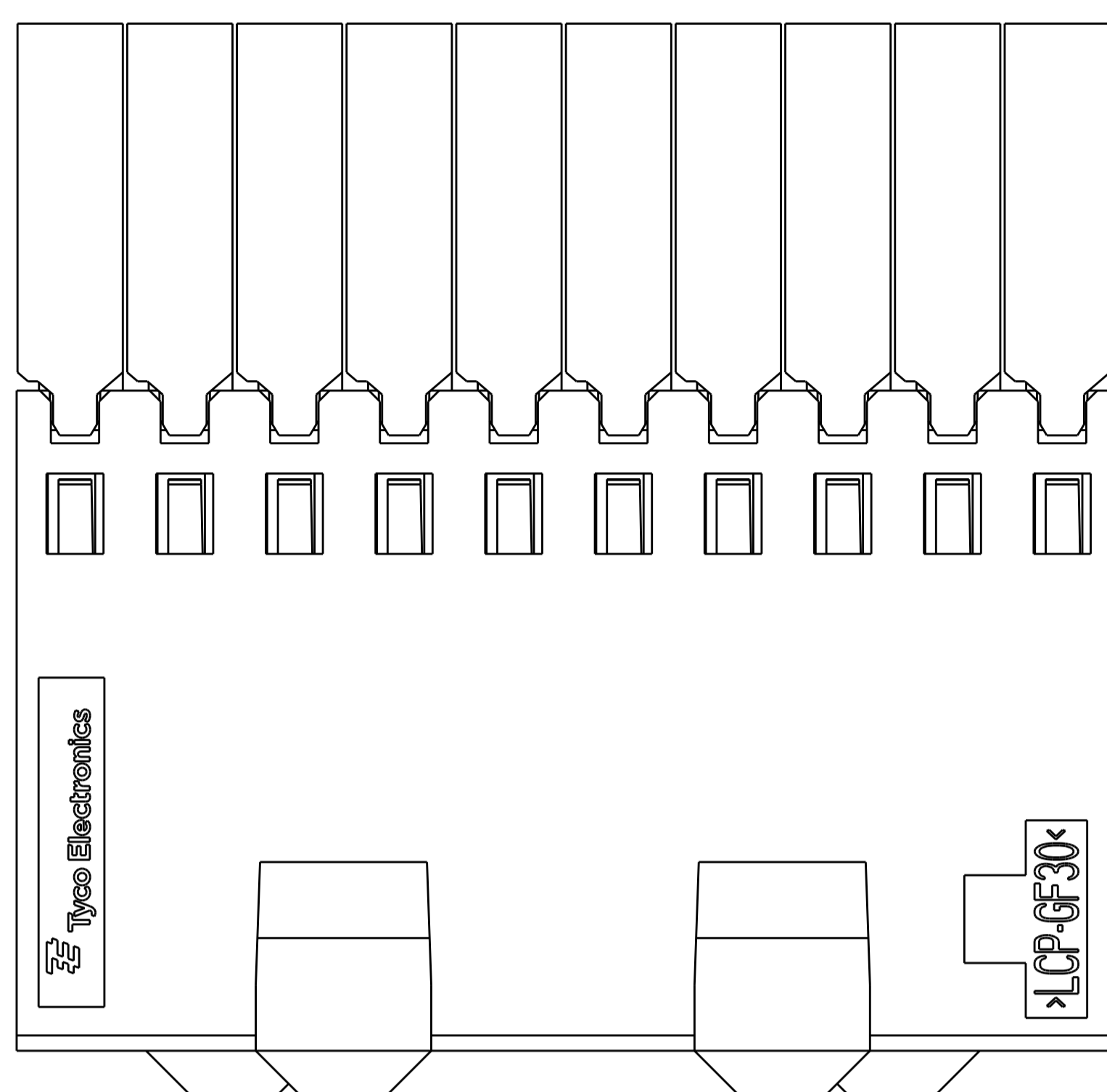
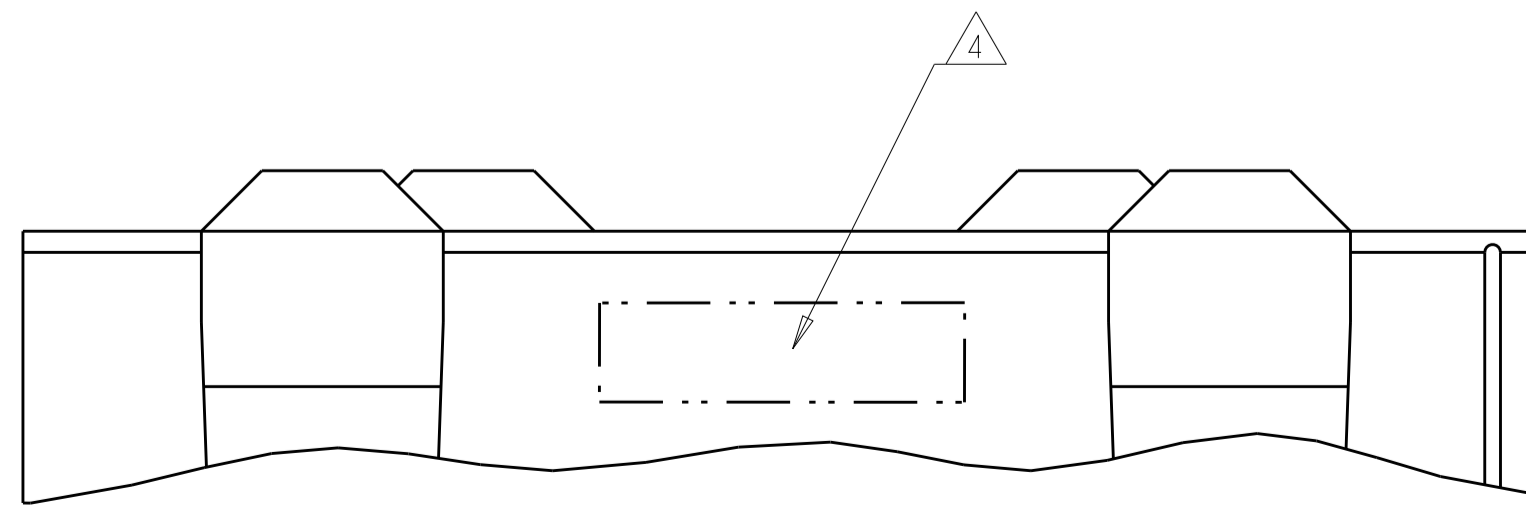
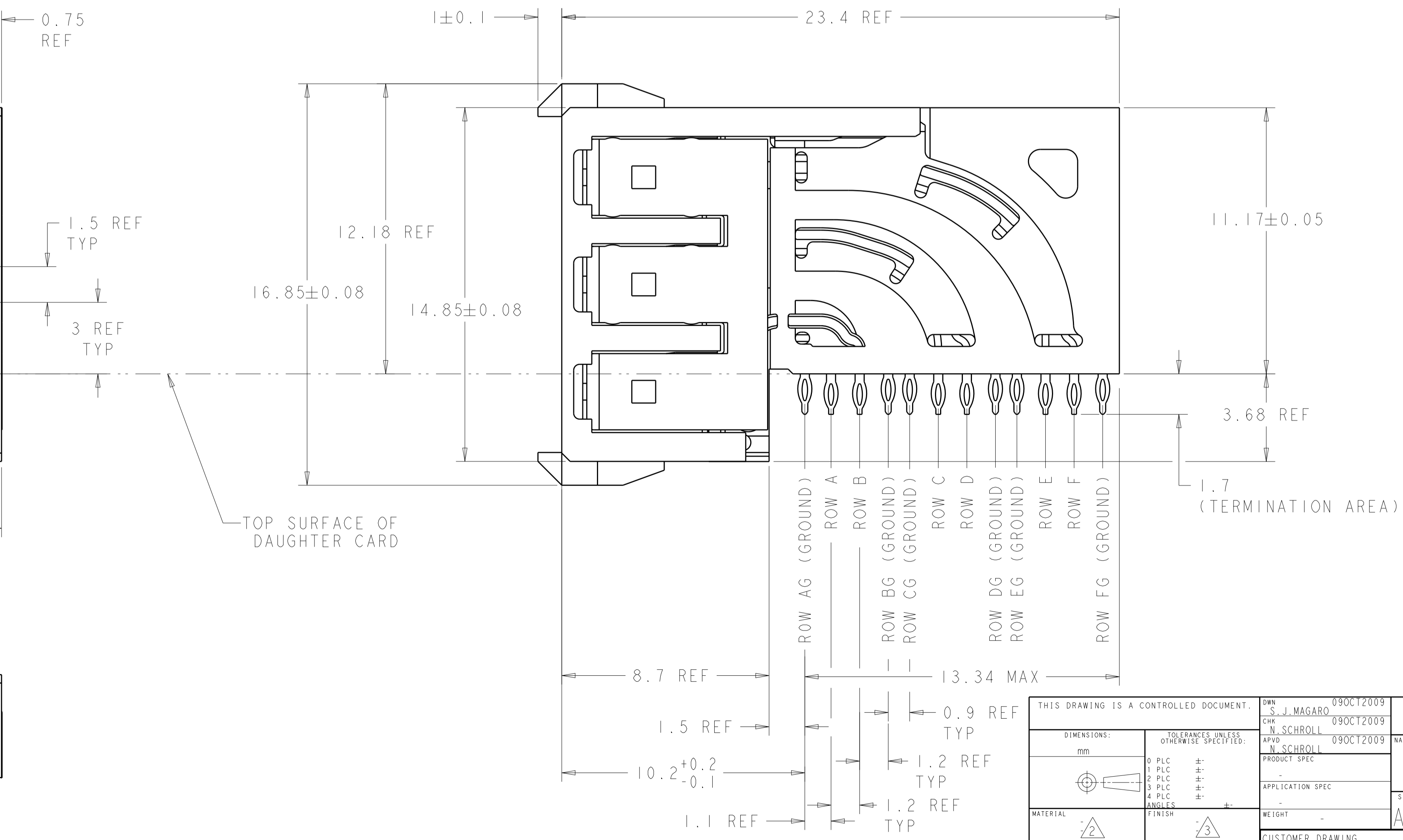
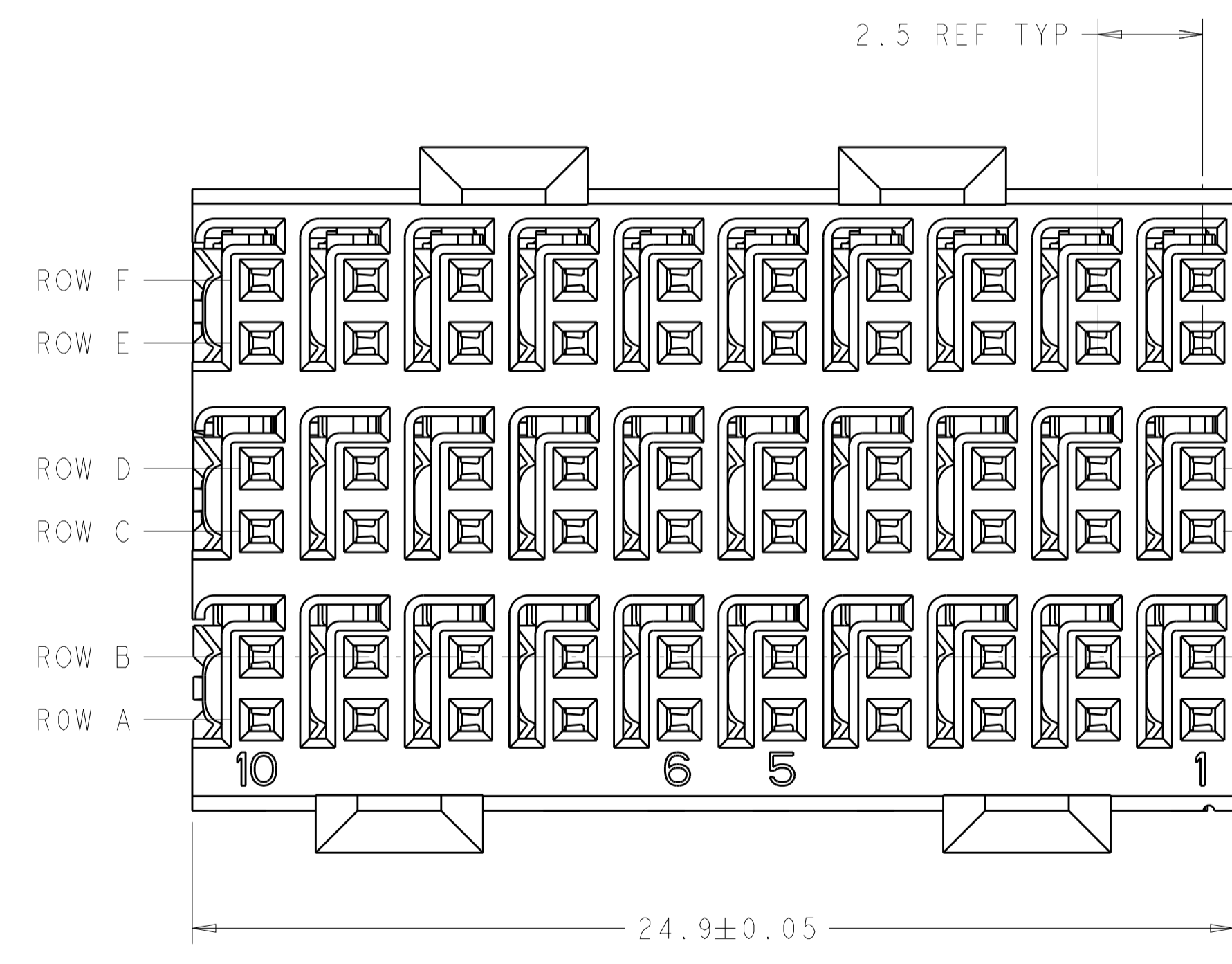


| LOC |    | DIST |     | REVISIONS                 |           |     |      |
|-----|----|------|-----|---------------------------|-----------|-----|------|
| AD  | 00 | P    | LTN | DESCRIPTION               | DATE      | DWN | APVD |
|     |    | B    |     | REVISED PER ECO-12-010079 | 04OCT2012 | KH  | JE   |



RECOMMENDED PC BOARD LAYOUT,  
 DAUGHTER BOARD,  
 COMPONENT SIDE SHOWN  
 SCALE 5:1

- 1 REFERENCE APPLICATION SPEC 114-13059 FOR RECOMMENDED PLATED THRU HOLE DIAMETER AND PLATING THICKNESSES.
- 2 MATERIAL:  
 SHIELD - PHOSPHOR BRONZE  
 CONTACT - COPPER-NICKEL-SILICON  
 HOUSING, CHICKLET AND CHICKLET COVER - GLASS FILLED POLYESTER, UL 94V-0 RATED.
- 3 FINISH: CONTACT AND SHIELD  
 MATING AREA:  
 MEETS THE PERFORMANCE REQUIREMENTS OF TYCO ELECTRONICS PRODUCT SPECIFICATION, 108-2055-1; BASED ON TELCORDIA GR-1217-CORE, APPLICATIONS IN UNCONTROLLED ENVIRONMENTS.  
 COMPLIANT PIN AREA:  
 0.5µm MIN BRIGHT TIN/LEAD OVER BASE PLATING.
- 4 CONNECTOR MARKED WITH PART NUMBER AND DATE CODE IN APPROXIMATE AREA SHOWN.
- 5 DIMENSION APPLIES TO CENTERLINE OF THRU HOLE.
- 6 DATUMS AND BASIC DIMENSIONS ESTABLISHED BY CUSTOMER.
- 7. CONTACT AREA LUBRICATED WITH BELLCORE APPROVED LUBRICANT. TECHNICAL REFERENCE: GR-1217-CORE, ISSUE 1, NOVEMBER 1995.
- 8 FINISH: CONTACT AND SHIELD  
 MATING AREA:  
 MEETS THE PERFORMANCE REQUIREMENTS OF TYCO ELECTRONICS PRODUCT SPECIFICATION, 108-2055-1; BASED ON TELCORDIA GR-1217-CORE, APPLICATIONS IN UNCONTROLLED ENVIRONMENTS.  
 COMPLIANT PIN AREA:  
 0.5µm MIN MATTE TIN OVER BASE PLATING.



|        |             |
|--------|-------------|
| 3      | 2065883-2   |
| 8      | 2065883-1   |
| FINISH | PART NUMBER |

THIS DRAWING IS A CONTROLLED DOCUMENT.

|             |  |                            |  |
|-------------|--|----------------------------|--|
| DIMENSIONS: | TOLERANCES UNLESS OTHERWISE SPECIFIED: | DWN S. J. MAGARO 09OCT2009 | NAME ASSEMBLY, Z-Pack Hm-Zd Plus, RECEPTACLE, 3 PAIR |
| mm          | 0 PLC ±                                | CHK N. SCHROLL 09OCT2009   | SIZE CAGE CODE DRAWING NO RESTRICTED TO              |
|             | 1 PLC ±                                | APVD N. SCHROLL 09OCT2009  | A100779C=2065883                                     |
|             | 2 PLC ±                                | PRODUCT SPEC               | WEIGHT   |
|             | 3 PLC ±                                | APPLICATION SPEC           | CUSTOMER DRAWING                                     |
|             | 4 PLC ±                                |                            | SCALE 8:1 SHEET 1 OF 1 REV B                         |
|             | 5 PLC ±                                |                            |  |
|             | 6 PLC ±                                |                            |  |
|             | ANGLES                                 |                            |  |
| MATERIAL    | FINISH                                 |                            |  |