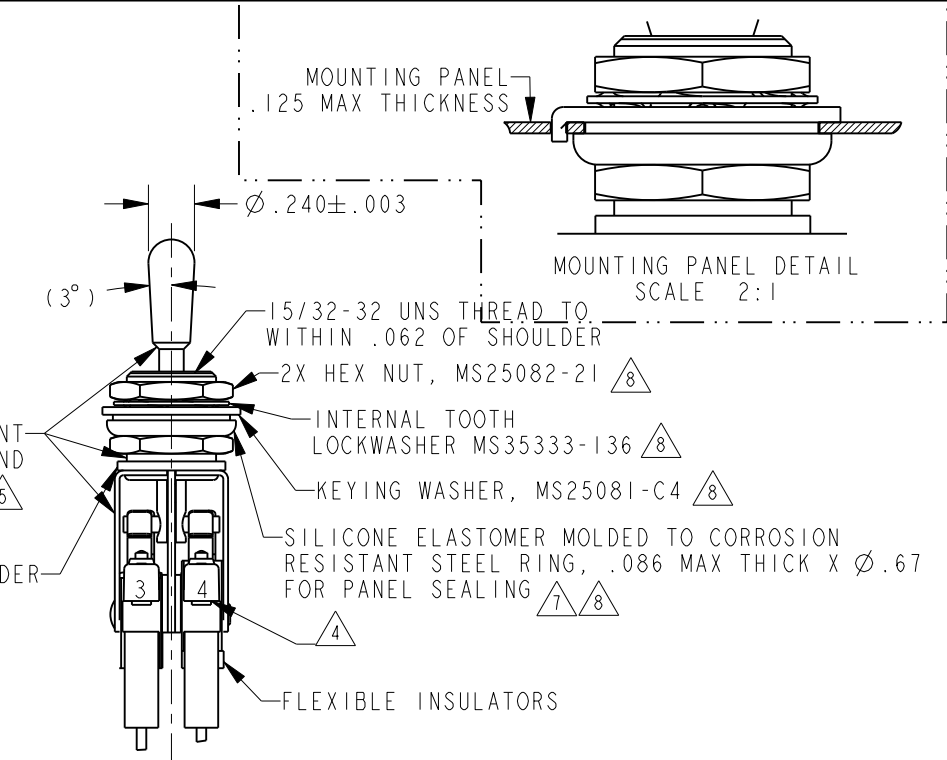
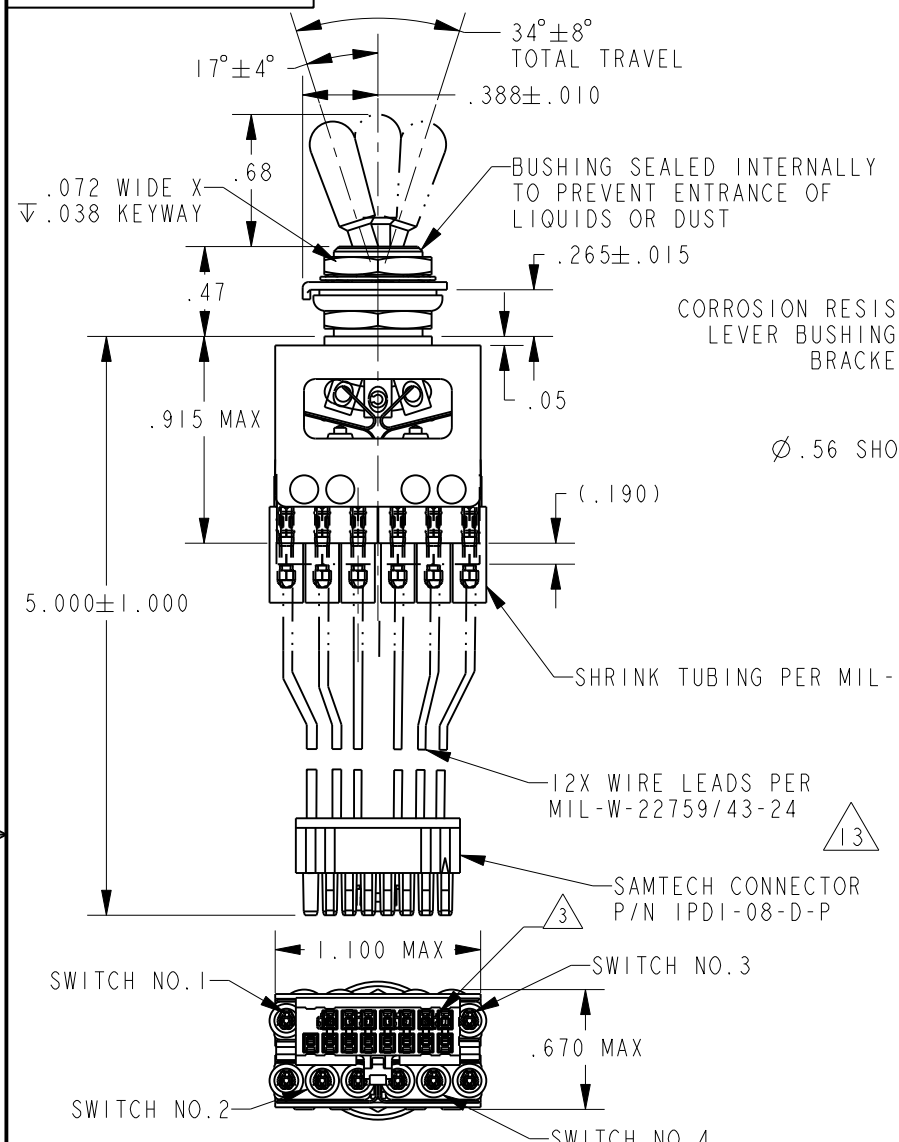
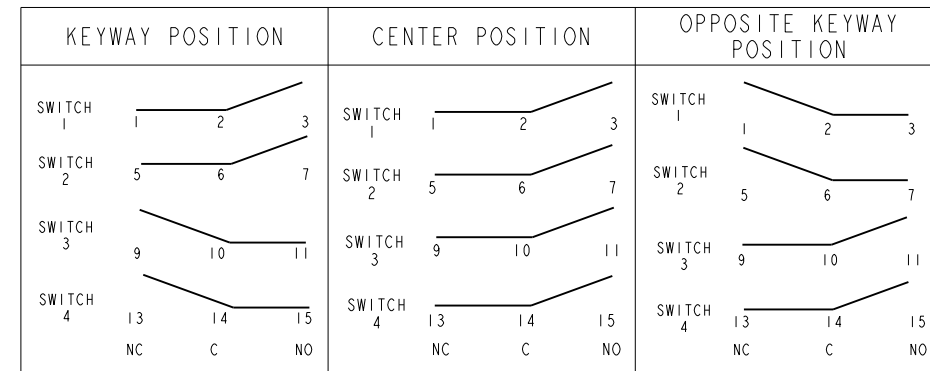


HONEYWELL  
PART NUMBER  
764AT601 SERIES CHART 1

REV	DOCUMENT	CHANGED BY	CHECK
D	0038807	KVS 16APR08	ASD



CUSTOMER PART NUMBER	CATALOG LISTING	KEYWAY POSITION	CENTER POSITION	OPPOSITE KEYWAY POSITION
416200-105	764AT601-1	MAINTAINED	MAINTAINED	MAINTAINED
416200-109	764AT601-3	MAINTAINED	NONE	MAINTAINED
416200-107	764AT601-5	MOMENTARY	MAINTAINED	MAINTAINED
	764AT601-7	MOMENTARY	MAINTAINED	MOMENTARY



- NOTES
- UNIT INCLUDES 4X "SX" TYPE BASIC SWITCH
  - SWITCHES DO NOT NECESSARILY OPERATE SIMULTANEOUSLY
  - CONNECTOR TERMINAL NUMBER 1
  - SWITCH NUMBERS MARKED ON END OF BASIC SWITCHES
  - DULL FINISH ON LEVER AND BUSHING
  - WHEN LEVER IS MOVED OUT OF A MAINTAINED POSITION, IT WILL RETURN OF ITS OWN ACCORD TO THE ORIGINAL POSITION OR THE ADJACENT POSITION. THE TOGGLE LEVER MAY HANG UP BETWEEN THE TWO ADJACENT POSITIONS ONLY BY EXERTING CONSIDERABLE EFFORT
  - FOR PANEL SEAL TO BE EFFECTIVE, MOUNTING HOLE IN PANEL SHOULD NOT EXCEED Ø.500
  - HARDWARE FURNISHED ASSEMBLED WITH SWITCH OR IN PACKET PER MIL-PRF-8805
  - REPLACEMENT MOUNTING HARDWARE PACKET 15PA314-AT
  - DEVIATION FROM MIL-PRF-8805/98 REQUIREMENTS
  - CONTACT HONEYWELL-SENSING AND CONTROL IF ADDITIONAL INFORMATION ON LOW ENERGY LOADS IS REQUIRED OR FOR HELP WITH SPECIFIC APPLICATIONS
  - SWITCH MARKED WITH CATALOG LISTING, CAGE CODE, DATE CODE AND CUSTOMER PART NUMBER PER MIL-STD-130 FREE TEXT ONLY
  - 2X CABLE CLAMPS ASSEMBLED TO WIRE LEADS WITH APPROXIMATELY EQUAL SPACING BETWEEN SWITCH AND CONNECTOR
  - APPLIED .125±.030 BELOW TOP OF LEVER TO MOVE LEVER TO AN ADJACENT POSITION
  - LENGTH OF TUBING IS .550 MAX. TUBING SHALL COVER WIRE TERMINATION

SPECIFICATION DETAILS:			
STANDARD	CONFORMS TO MIL-PRF-8805E/98D EXCEPT AS NOTED $\Delta 10$		
CONSTRUCTION:			
ENCLOSURE DESIGN	UNSEALED; BUSHING & PANEL SEAL MEET THE TOGGLE SEAL TEST OF MIL-DTL-83731C, PARAGRAPH 3.6.19 $\Delta 10$		
CONTACT MATERIAL & CONFIGURATION	SMOOTH GOLD AND GOLD ALLOY $\Delta 10$		
CIRCUIT CONFIGURATION	4X S.P.D.T		
TERMINATION	24 GAGE WIRES AND CONNECTOR $\Delta 10$		
WEIGHT	3.0 OZ MAX		
EXPOSED METALS	CORROSION RESISTANT		
ELECTRICAL CHARACTERISTICS:			
CONTACT ARRANGEMENT			
ELECTRICAL RATINGS $\Delta 10$			
	VOLTAGE	RESISTIVE	INDUCTIVE
-SEA LEVEL	28 VDC	1.0 A	0.5 A
-50,000 FEET	28 VDC	1.0 A	0.5 A
DIELECTRIC STRENGTH & INSULATION RES (BASIC SWITCH)	DIELECTRIC STRENGTH		INSULATION RESISTANCE
	(~ 60 Hz FOR 5 SECONDS)		(500 VDC ± 10%)
-BETWEEN TERMINALS AND EXPOSED NON-CURRENT CARRYING METAL	1000 V rms, 500 $\mu$ A (MAX LEAKAGE)		1000 M $\Omega$ MIN
-BETWEEN TERMINALS OF MUTUALLY INSULATED CIRCUITS	1000 V rms, 500 $\mu$ A (MAX LEAKAGE)		1000 M $\Omega$ MIN
-BETWEEN ALL UNCONNECTED TERMINALS OF THE SAME POLE	1000 V rms, 500 $\mu$ A (MAX LEAKAGE)		1000 M $\Omega$ MIN
SWITCH RESISTANCE	N/A		
RECOMMENDATION OR USE IN APPL LESS THAN .5 A AND/OR 12 V	$\Delta 11$		
MECHANICAL CHARACTERISTICS:			
MOUNTING STRENGTH	25 INCH-POUNDS		
ACTUATOR STRENGTH	25 POUNDS		
ACTUATION FORCE $\Delta 14$	1-5 LB		
LIFE:			
MECHANICAL LIFE	50,000 MIN		
ELECTRICAL LIFE AT FULL RATED LOAD	25,000 MIN		
ENVIRONMENTAL:			
TEMPERATURE RANGE	-55°C TO +85°C		
ALTITUDE RANGE	SEA LEVEL TO 50,000 FT		
SHOCK	50g PER MIL-STD-202G, METHOD 213, CONDITION G		
VIBRATION	PER KORRY DOCUMENT 419024, REV XJ, APPENDIX B $\Delta 10$		
HUMIDITY	RTCA DO/160E, SECTION 106, CATEGORY A $\Delta 10$		
THERMAL SHOCK	N/A		
SALT SPRAY	N/A		

DESIGN UNITS: INCH  
TOLERANCES UNLESS NOTED:

NO PLACES	X	±	0.400
ONE PLACE	.X	±	0.030
TWO PLACE	.XX	±	0.015
THREE PLACE	.XXX	±	0.005
FOUR PLACE	.XXXX	±	0.0005
ANGLES	X	±	3°

THIRD ANGLE PROJECTION

DRAWN	BNA	31 JUL 06
CHECK	DVM	31 JUL 06
THIS DRAWING COVERS A PROPRIETARY ITEM AND IS THE PROPERTY OF HONEYWELL. THIS DRAWING IS NOT TO BE COPIED OR USED WITHOUT THE PERMISSION OF HONEYWELL.		
INTERPRET PER ASME Y14.5M-1994 OTHER HONEYWELL ENGINEERING STANDARDS MAY APPLY		
Pro/ENGINEER	3D	

**Honeywell**

**ASSEMBLY, TOGGLE SWITCH**

SIZE	TYPE	DRAWING NAME	REV
<b>B</b>	<b>I</b>	<b>764AT601 SERIES CHART 1</b>	<b>D</b>
SCALE	1:1	SHEET	1 OF 1