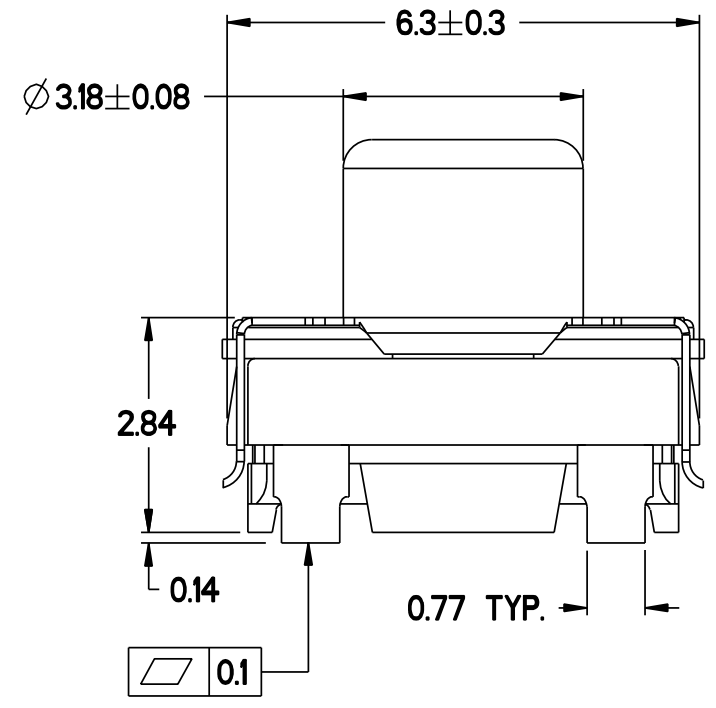
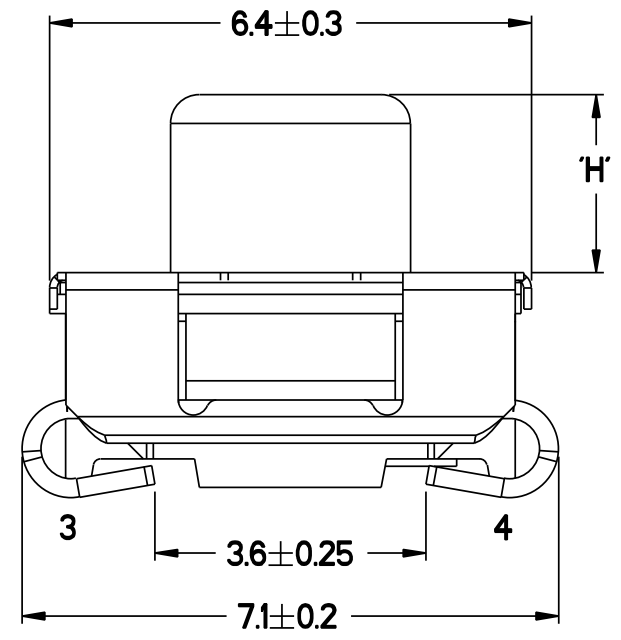
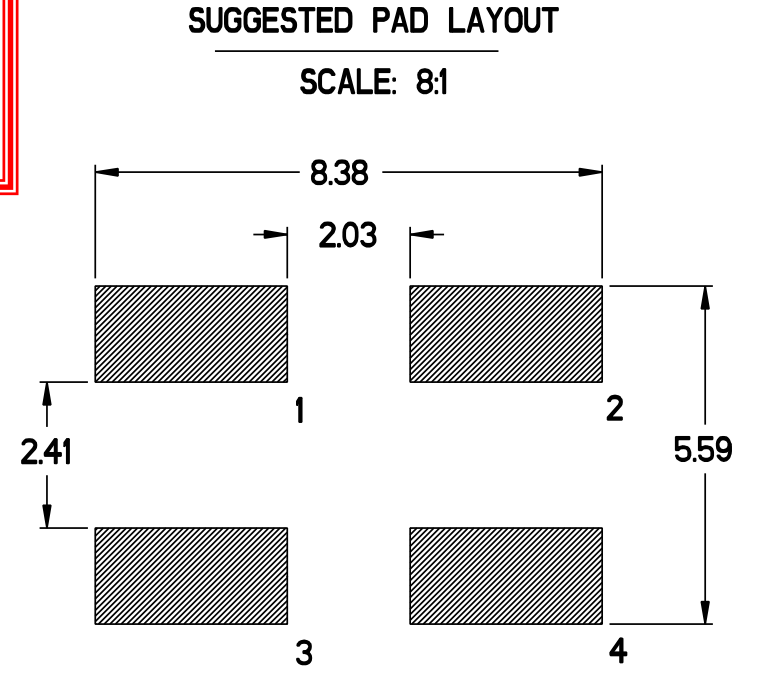
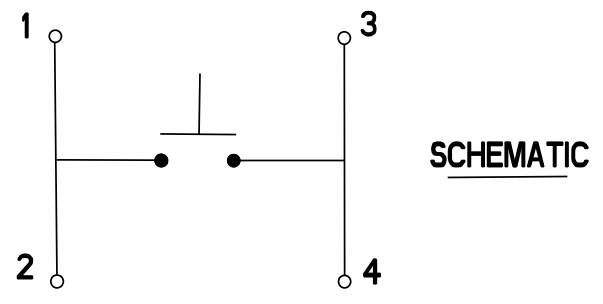
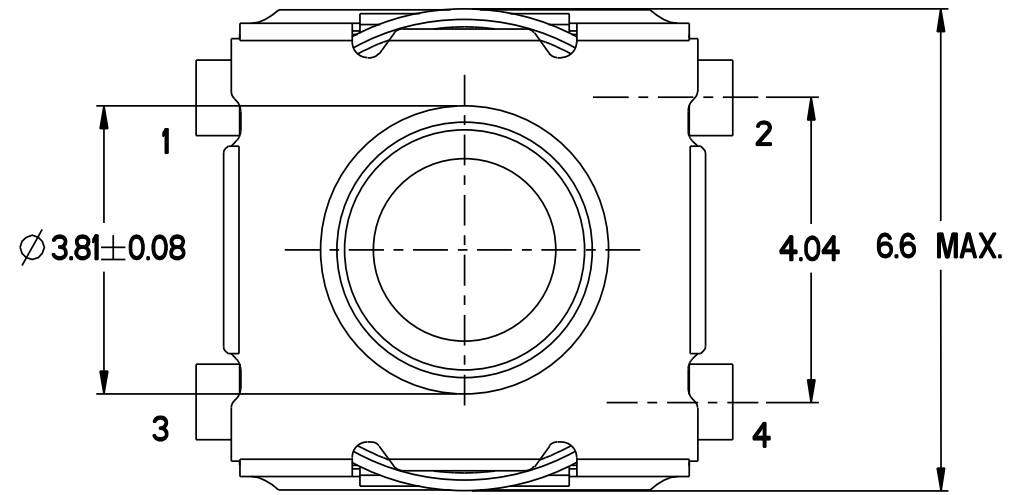


**FOR REFERENCE ONLY**  
 仅供参考  
**THIS PRINT WILL NOT BY UPDATED**  
 不作自动更新



| Reference       | Designation   | Plating | Dimension 'H' | Switching Force (N) |
|-----------------|---------------|---------|---------------|---------------------|
| YT1015530FP LFS | KT11B0JM34LFS | SILVER  | 0             | 192 TO 288          |
| YT1025530FP LFS | KT11B1JM34LFS | SILVER  | 0.64          |                     |
| YT1035530FP LFS | KT11B2JM34LFS | SILVER  | 2.24          |                     |
| YT1035531FP LFS | SS-2514-5LFS  | SILVER  | 2.24          |                     |
| YT1026730FP LFG | KT11B1JM35LFG | GOLD    | 0.64          |                     |

| LF version | Contact area (1 face)                            | Terminal area (2 faces)                               |
|------------|--|---|
| LFS        | 0.5 um min Ag plate over 1.3 um min Nickel plate | 0.2-0.6 um Ag plate all over 1.3 um Ni plate all over |
| LFG        | 0.5 um min Au plate over 1.3 um min Nickel plate | 0.1-0.2 um Au plate all over 1.3 um Ni plate all over |

**TOLERANCE:**  
 LINEAR: ± 0.12  
 ANGLUAR: ± 3°

|                     |      |                        |                         |                                 |   |  |  |
|---------------------|------|------------------------|-------------------------|---------------------------------|---|--|--|
| <b>DO NOT SCALE</b> |      |                        |                         | <b>PDM:</b>                     |   | <b>A3/B</b>  |  |
| Drawn               | CDY  | 04-Apr-06              | Material:               | <br><b>3rd ANGLE PROJECTION</b> | <br><b>ITT Industries</b><br>Cannon Electronics (SZ) Co. Ltd. | Toupandun Industrial Area,<br>Jinda Cheng, Xiner Village,<br>Shajing Town, Baoan District,<br>Shenzhen City<br>PRC 518125  |  |
| Checked             | KT   | 04-Apr-06              |                         |                                 |   |  |  |
| Engineer.           | CDY  | 04-Apr-06              | Treatment:              | <br>Surface Roughness           | Ref:  | Pro/E Generic Model<br><b>KT11BxJMLFx</b>  |  |
| Manufact.           |      |                        |                         |                                 |   |  |  |
| Assembly            |      |                        | Dimensions in: mm       | Unless Specified                | Cust Spec No:   | Drwg. No. <b>CU_T1.M03_001_FP</b>  |  |
| Quality             |      |                        |                         |                                 |   |  |  |
| Approvals           | Sign | Date                   | Scale 10:1 Sheet 1 of 1 |                                 | iss/rev <b>A</b>  |  |  |
| Iss Rev             |      | DCN/ECN or Description |                         | Date                            |   | This is issued in strict confidence on condition that it is not used as a basis for manufacture or sale and that it is not copied reprinted or disclosed to a third party either wholly or in part without the prior written consent of ITT Industries © 04-Apr-06 |  |