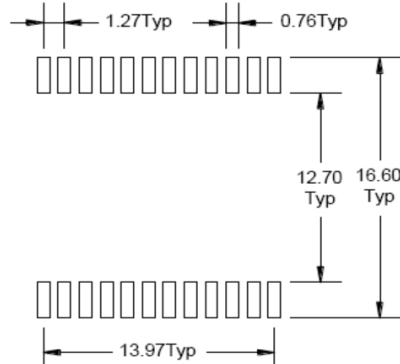
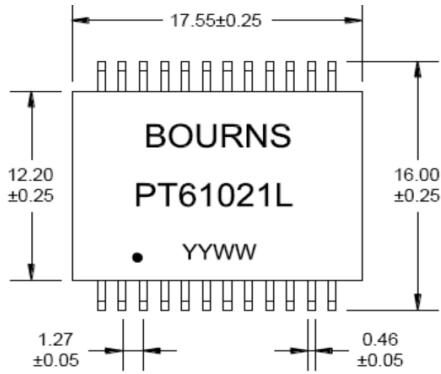
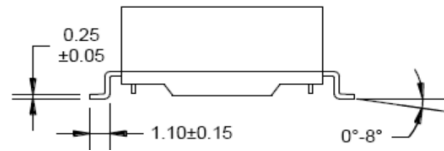
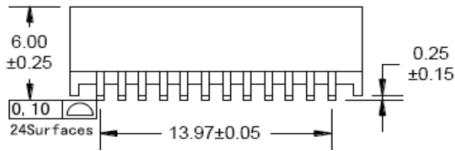


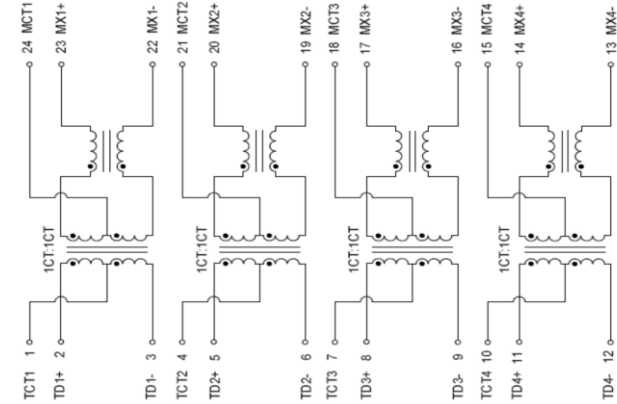
DIMENSIONS:



Suggested PAD Layout



SCHEMATIC:




ELECTRICAL SPECIFICATIONS @ 25°C :

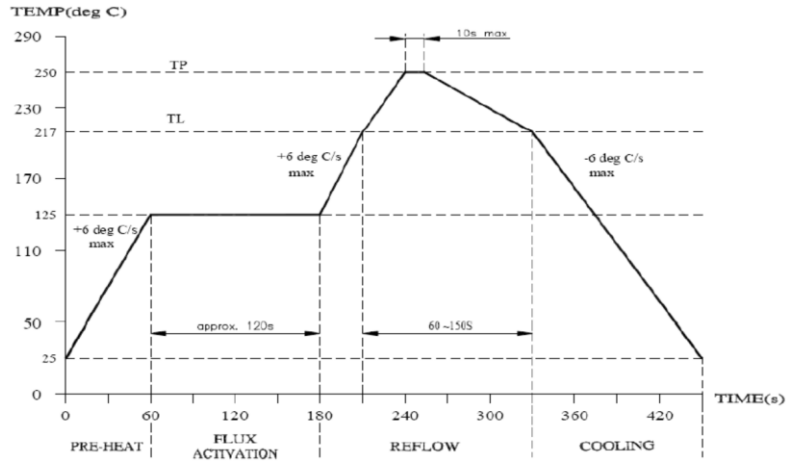
- OCL(TD @ 100 kHz, 0.2V with 8mA DC bias): 350uH Min
- Leakage Inductance(TD,MX short @ 100kHz, 0.2V): 0.5uH Max
- DCR(MX): 1400mΩ Max
- Turns Ratio(TD:MX) = 1CT:1CT ± 5%
- Insertion Loss(TD to MX): -1.1 dB Max @ 0.3-100 MHz
- Return Loss(TD,MX with 100 ohm load):
 - 16 dB Min @ 0.3-40 MHz
 - 10+20*LOG 10(f/80 MHz) dB Min @ 40-100 MHz
- Cross Talk(Between each channel):
 - 35 dB Min @ 0.3-30 MHz
 - 28 dB Min @ 60-100 MHz
- Common Mode Rejection(TD to MX):
 - 40 dB Min @ 0.3-30 MHz
 - 35 dB Min @ 60 MHz
 - 30 dB Min @ 80-100 MHz
- Cww(TD to MX): 25pF typ. @ 100kHz, 0.2V
- Isolation Hipot(pri to sec): 1500VAC 1mA 60S
- Operating temperature 0°C to +70°C
- Storage temperature -40°C to +125°C

Bourns Worldwide Contacts:

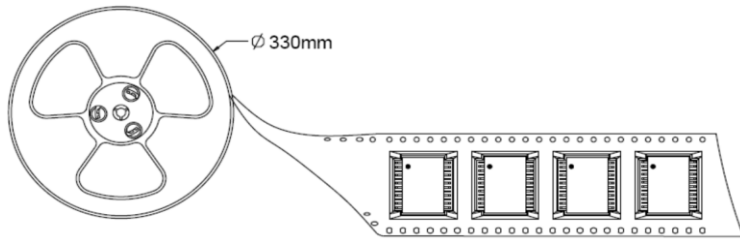
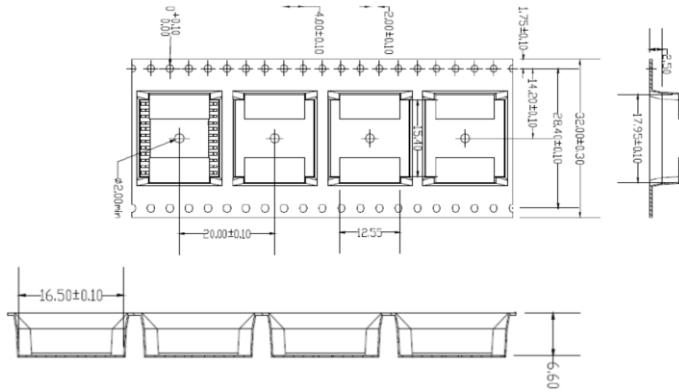
Asia-Pacific: Tel: +886-2 2562-4117 Fax: +886-2 2562-4116
 EMEA: Tel: +36 88 520 390 Fax: +36 88 520 211
 The Americas: Tel: +1-951 781 5500 Fax: +1-951 781-5700
 www.bourns.com

TITLE		10/100/1000 BASE-T SINGLE PORT TRANSFORMER MODULE				UNIT		MM	
		D	Package q'ty change	2016/1/29					
		C	Revised DCR and package info.	2015/10/8					
		B	Revised RL and add package info.	2015/9/22				DWG. NO.	
		A	Released	2011/9/1				PT61021L	
	Customer Specification NO.								
	BOURNS Part NO.	PT61021EL							
		REVISIONS							
		NO.	DESCRIPTION	DATE	NO.	DESCRIPTION	DATE	SHEET 1 OF 2	

IR REFLOW PROFILE:




PACKAGE INFORMATION:



Package Quantity:

- One Reel=350Pcs
- One Inner Carton=350*2=700Pcs
- One Export Carton=700*2=1400Pcs

TITLE 10/100/1000 BASE-T SINGLE PORT TRANSFORMER MODULE		D	Package q'ty change	2016/1/29				UNIT
		C	Revised DCR and package info.	2015/10/8				MM
 Customer Specification NO.		B	Revised RL and add package info.	2015/9/22				DWG. NO.
		A	Released	2011/9/1				PT61021L
BOURNS Part NO.		PT61021EL		NO. DESCRIPTION DATE NO. DESCRIPTION DATE		REVISIONS		SHEET 2 OF 2