

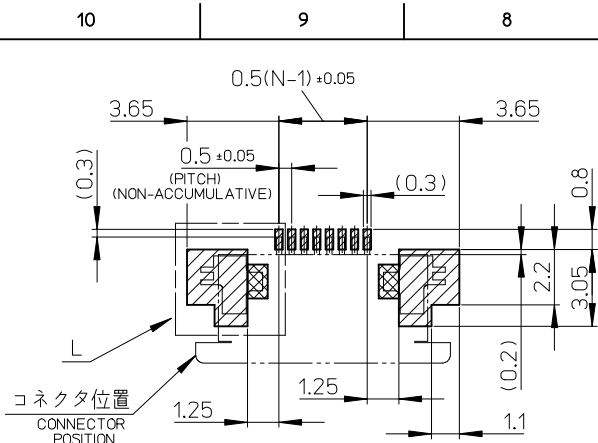
注記(NOTES)

- 材質 MATERIAL
ハウジング: ポリアミド (PA), ガラス充填, 白色, UL94V-0
HOUSING: POLYAMIDE, GLASS FILLED, WHITE, UL94V-0
アクチュエータ: ポリフェニレンサルファイド (PPS), ガラス充填, 茶色, UL94V-0
ACTUATOR: POLYPHENYLENE SULFIDE, GLASS FILLED, BROWN, UL94V-0
ターミナル: リン青銅 (t = 0.2)
TERMINAL: PHOSPHOR BRONZE (t = 0.2)
金具: リン青銅 (t = 0.2)
NAIL: PHOSPHOR BRONZE (t = 0.2)
 - メッキ仕様 PLATING
ターミナル
鍍銀: スマスマメッキ (1.0µm以上)
TIN: SILVER BISMUTH PLATING (1.0MICROMETER MINIMUM)
下地メッキ: ニッケルメッキ (1.0µm以上)
UNDER PLATING: NICKEL PLATING (1.0MICROMETER MINIMUM)
金具
NAIL
鍍銀メッキ (1.0µm以上)
TIN PLATING (1.0MICROMETER MINIMUM)
下地メッキ: ニッケルメッキ (1.0µm以上)
UNDER PLATING: NICKEL PLATING (1.0MICROMETER MINIMUM)
- △ R0.3はFPCの導体部にかからないこと
R0.3 MUST NOT BE OVERLAPED TO PATTERN OF FPC.
- △ 偶数極に適用
APPLY FOR EVEN CIRCUIT.
- △ パターン剥離止め金具
FITTING NAIL FOR PREVENTION OF PEELING OF P.W.B. PATTERN.
- △ ソルダータール半田付け面のスレ量, 及び金具半田付け面のスレ量は, 基準面Hに対して上方向に0.1MAXIMUM, 下方向に0.15MAXIMUMとする。
MISALIGNMENT OF SOLDER TAILS AND FITTING NAILS FROM DATUM-H
UPPER DIRECTION: 0.1MAXIMUM
LOWER DIRECTION: 0.15MAXIMUM
- エンボスマーク埋め時は, アクチュエータがロックした状態になります。
IN THE PACKAGE, ACTUATOR OF PART NO.52746-***22 SHOULD BE LOCKED.
 - ELV及びRoHS適合品
ELV AND RoHS COMPLIANT

16.1	14.3	10.65	9.5	52746-2033	20
15.6	13.8	10.15	9	52746-1933	19
15.1	13.3	9.65	8.5	52746-1833	18
14.6	12.8	9.15	8	52746-1733	17
14.1	12.3	8.65	7.5	52746-1633	16
13.6	11.8	8.15	7	52746-1533	15
13.1	11.3	7.65	6.5	52746-1433	14
12.6	10.8	7.15	6	52746-1333	13
12.1	10.3	6.65	5.5	52746-1233	12
11.6	9.8	6.15	5	52746-1133	11
11.1	9.3	5.65	4.5	52746-1033	10
10.6	8.8	5.15	4	52746-0933	9
10.1	8.3	4.65	3.5	52746-0833	8
9.6	7.8	4.15	3	52746-0733	7
9.1	7.3	3.65	2.5	52746-0633	6
8.1	6.3	2.65	1.5	52746-0433	4
D	C	B	(A)	EMBOSSED PACKAGE ORDER No. オート番号	極数 CKT.

CONNECTOR SERIES NO. : 52746-***22

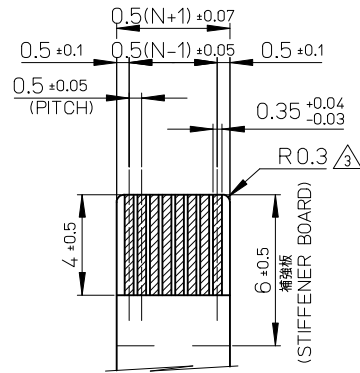
REVISED EC NO. : J2014-0096 DRW: AISHI 2013/07/18 CHKD: TAKAHASHI 2013/07/18 APPR: YNOGAWA 2013/08/19	DESCRIPTION	GENERAL TOLERANCES (UNLESS SPECIFIED)		DIMENSION STYLE		SCALE		DESIGN UNITS		THIRD ANGLE PROJECTION
				MM ONLY		10:1		METRIC		
		10 UNDER ±0.2		DRAWN BY KNAGUMO		DATE 2012/08/31		TITLE		
		10 OVER 30 UNDER ±0.25		CHECKED BY KTAKAHASHI		DATE 2012/09/06		0.5MM FPC CONN ZIF R/A HOUSING ASSY (BOTTOM CONTACT)		
30 OVER ±0.3		APPROVED BY KMORIKAWA		DATE 2013/04/16		MATERIAL NO.		DOCUMENT NO.		SHEET NO. 1 OF 2
ANGULAR ±3 °		DRAFT WHERE APPLICABLE MUST REMAIN WITHIN DIMENSIONS		SEE CHART		SD-52746-031				
				SIZE A3		THIS DRAWING CONTAINS INFORMATION THAT IS PROPRIETARY TO MOLEX INCORPORATED AND SHOULD NOT BE USED WITHOUT WRITTEN PERMISSION				



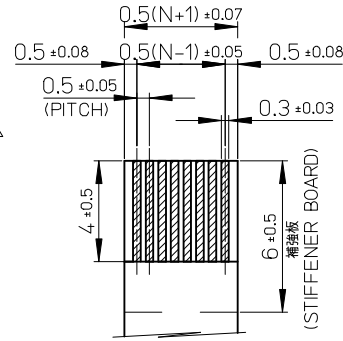
推奨基板レイアウト
(マウント面)

RECOMMENDED P.C. BOARD
PATTERN DIMENSION (REF.)
(MOUNTING SIDE)

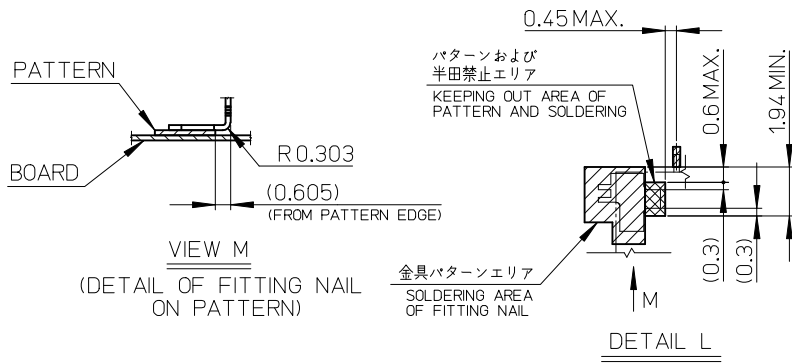
マスク厚 : 100 μm
マスク開口率 : 100%
SCREEN THICKNESS : 100 μm
SCREEN OPEN RATIO : 100%



適合半田めっきFPC推奨寸法
APPLICABLE FPC OF TIN-LEAD
PLATING RECOMMENDED DIMENSION
仕上がり厚さ : 0.3 ± 0.03
THICKNESS: 0.3 ± 0.03 / -0.03

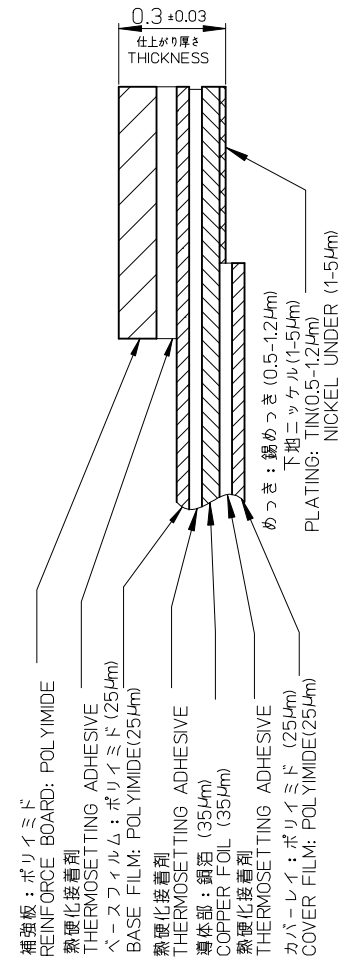


適合半田めっきFFC推奨寸法
APPLICABLE FFC OF TIN-LEAD
PLATING RECOMMENDED DIMENSION
仕上がり厚さ : 0.3 ± 0.03
THICKNESS: 0.3 ± 0.03 / -0.03



FPC/FFCについて ABOUT FPC/FFC
打ち抜き方向は導体側から補強板側を推奨します。
導体部については軟烙銅35 μmまたは50 μmを推奨します。
RECOMMENDED PUNCHING DIRECTION:
FROM CONDUCTOR SIDE TO STIFFENER SIDE
RECOMMENDED CONDUCTOR SPEC:
SOFT COPPER FOIL
RECOMMENDED CONDUCTOR THICKNESS:
35 MICROMETER OR 50 MICROMETER

FPCについて ABOUT FPC
補強フィルム材質はポリイミドを推奨します。ベースフィルムは25 μmを推奨します。
接着剤は熱硬化接着剤を推奨します。
尚、接着剤の接点部への付着は導通不良の原因になりますので、
染み出しが無い様、お願い致します。
RECOMMENDED STIFFENER MATERIAL:
POLYIMIDE
RECOMMENDED BASE FILM THICKNESS:
25 MICROMETER
RECOMMENDED ADHESIVE:
THERMOSETTING ADHESIVE
NOTE: PLEASE PUT APPROPRIATE
AMOUNT OF ADHESIVE ON ADHEREND
BECAUSE THERE IS A POSSIBILITY
THAT THE EXTRA ADHESIVE CAUSES
THE DEFECT IN ELECTRICAL CONTINUITY.



FPC構成推奨仕様
STRUCTURE OF FPC

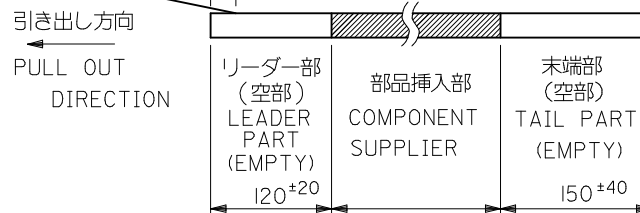
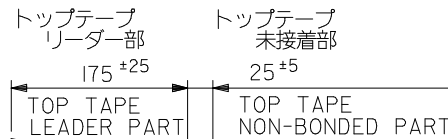
SEE SHEET 1 OF 2 EC NO: J2014-0096 DRW: AISHI 2013/07/18 CHK: KAKAHASHI 2013/07/18 APPR: YNOGAWA 2013/08/19	DESCRIPTION REV	GENERAL TOLERANCES (UNLESS SPECIFIED)		DIMENSION STYLE MM ONLY		SCALE 5:1	DESIGN UNITS METRIC	THIRD ANGLE PROJECTION		
		10 UNDER	± ---	DRAWN BY KNAGUMO	DATE 2012/08/31	TITLE 0.5MM FPC CONN ZIF R/A HOUSING ASSY (BOTTOM CONTACT)				
		10 OVER 30 UNDER	± ---	CHECKED BY KTAKAHASHI	DATE 2012/09/06	molex				
		30 OVER	± ---	APPROVED BY KMORIKAWA	DATE 2013/04/16					
ANGULAR ± --- °		DRAFT WHERE APPLICABLE MUST REMAIN WITHIN DIMENSIONS		MATERIAL NO. SEE CHART		DOCUMENT NO. SD-52746-031	SHEET NO. 2 OF 2			
THIS DRAWING CONTAINS INFORMATION THAT IS PROPRIETARY TO MOLEX INCORPORATED AND SHOULD NOT BE USED WITHOUT WRITTEN PERMISSION										

注記 NOTES

1. 製品番号52746-**22の梱包状態はアクチュエータがロックした状態とする。
 詳細寸法については図面SD-52746-031を参照下さい。
 IN THE PACKAGE, ACTUATOR OF PART NO.52746-**22 SHOULD BE LOCKED
 DETAIL DIMENSIONS, SEE SD-52746-031

2. 梱包数量：1000個/リール
 NUMBER OF CONNECTORS:1000PCS/REEL

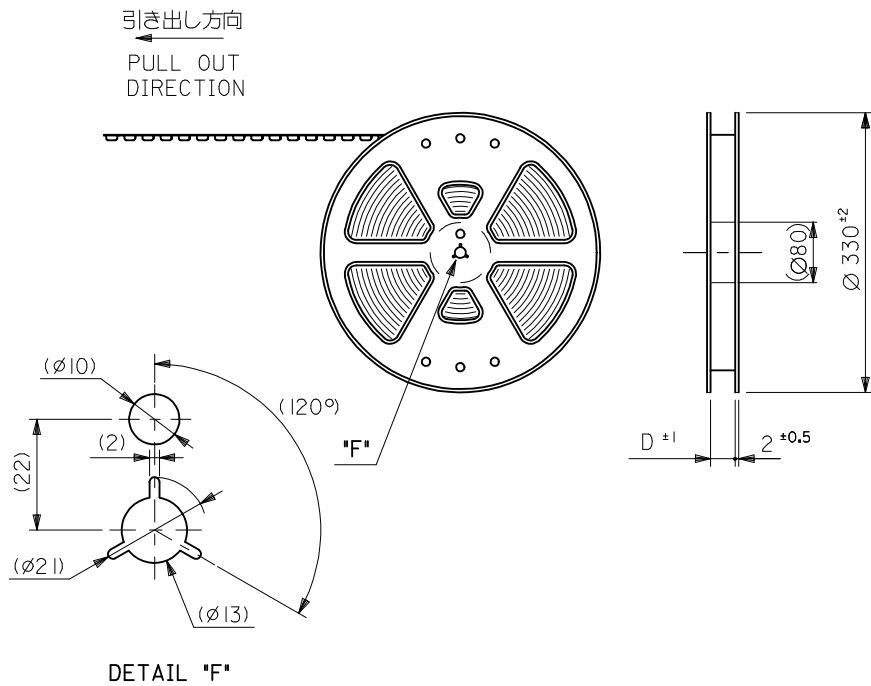
3. リードテープ長さ LEAD TAPE LENGTH



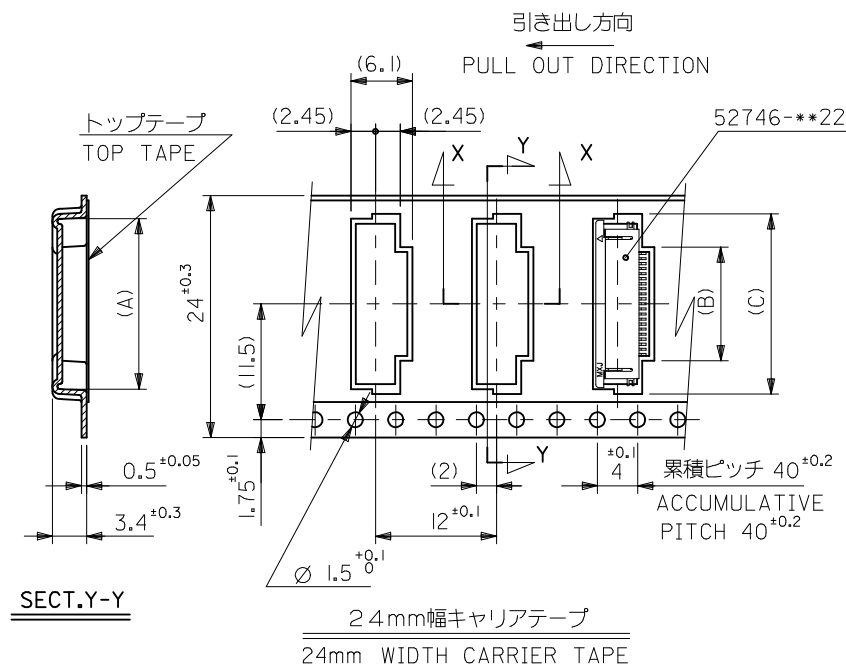
4. トップテープの剥離強度については、IEC60286-3に準拠
 TOP TAPE PEEL FORCE IS DEFINED BY IEC60286-3.

5. 材料 キャリアテープ：ポリプロピレン (PP)
 トップテープ：PET, PE, PEF
 リール：ポリスチレン (PS) <リサイクル材を含む>
 MATERIAL CARRIER TAPE:POLYPROPYLENE
 TOP TAPE:PET,PE,PEF
 REEL:POLYSTYREN(PS)
 <RECYCLE MATERIAL CONTAINED>

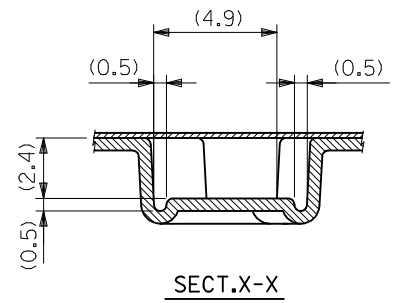
6. ELV及びRoHS適合品
 ELV AND RoHS COMPLIANT



RELEASED EC NO: J2013-1133 DRWN:KNAGUMO 2012/09/05 CHKD:KAKAHASHI 2012/09/06 APP:KMORIKAWA 2013/04/16	GENERAL TOLERANCES (UNLESS SPECIFIED)		DIMENSION STYLE MM ONLY		SCALE ---	DESIGN UNITS METRIC	THIRD ANGLE PROJECTION
	10 UNDER	± ---	DRAWN BY KNAGUMO	DATE 2012/09/05	TITLE EMBOSS TAPE PACKAGED FOR 0.5MM FPC CONN ZIF R/A HOUSING ASSY molex DOCUMENT NO. SD-52746-032 SHEET NO. 1 OF 3		
	10 OVER 30 UNDER	± ---	CHECKED BY KAKAHASHI	DATE 2012/09/06			
	30 OVER	± ---	APPROVED BY KMORIKAWA	DATE 2013/04/16			
ANGULAR	± --- °	MATERIAL NO. SEE CHART					
0	DRAFT WHERE APPLICABLE MUST REMAIN WITHIN DIMENSIONS		SIZE A3	THIS DRAWING CONTAINS INFORMATION THAT IS PROPRIETARY TO MOLEX INCORPORATED AND SHOULD NOT BE USED WITHOUT WRITTEN PERMISSION			



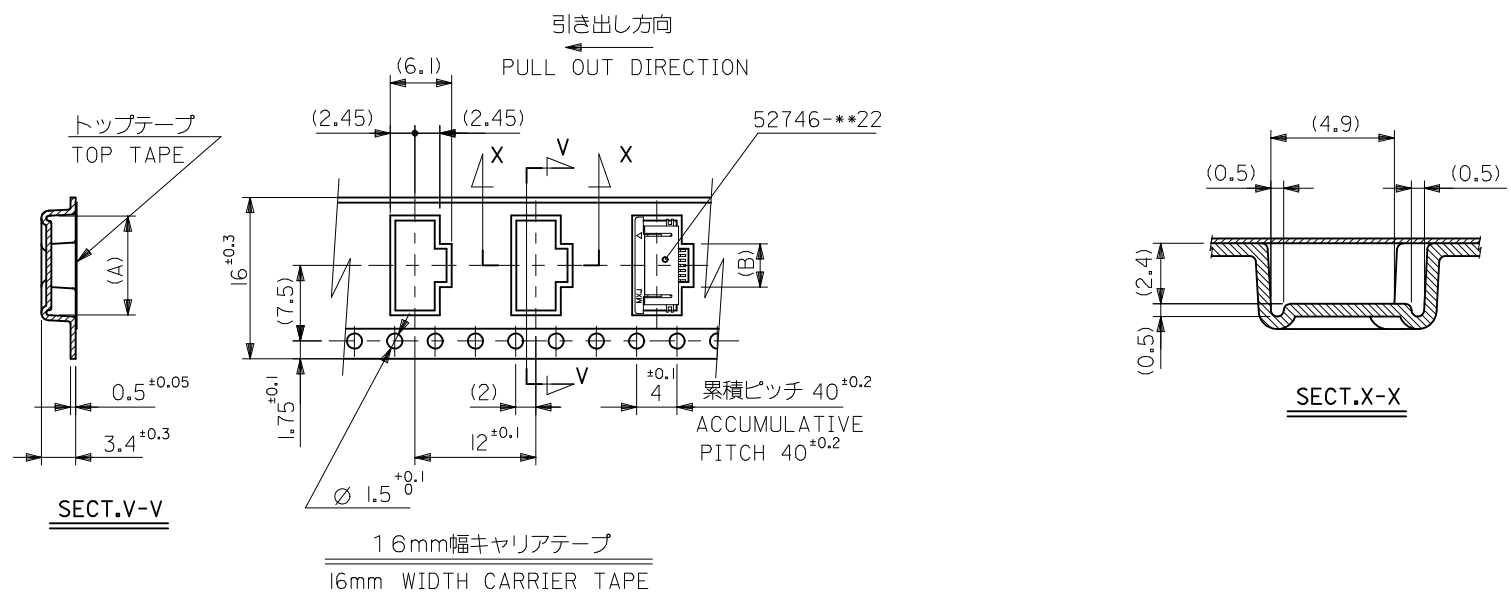
SECT.Y-Y



24	25.5	17.4	10.8	16.4	52746-2033	20
		16.9	10.3	15.9	-1933	19
		16.4	9.8	15.4	-1833	18
		15.9	9.3	14.9	-1733	17
		15.4	8.8	14.4	-1633	16
		14.9	8.3	13.9	-1533	15
		14.4	7.8	13.4	-1433	14
		13.9	7.3	12.9	-1333	13
		13.4	6.8	12.4	-1233	12
		12.9	6.3	11.9	-1133	11
		12.4	5.8	11.4	-1033	10
		11.9	5.3	10.9	-0933	9
11.4	4.8	10.4	-0833	8		
10.9	4.3	9.9	-0733	7		
10.4	3.8	9.4	52746-0633	6		
キャリアテープ幅 CARRIER TAPE WIDTH	D	(C)	(B)	(A)	MATERIAL NO.	極数 CIRCUIT

SEE SHEET 1 OF 3 EC NO.: J2013-1133 DRW:KNAGUMO 2012/09/05 CHKD:KAKAHASHI 2012/09/06 APP:KMORIKAWA 2013/04/16	GENERAL TOLERANCES (UNLESS SPECIFIED)	
	10 UNDER	± ---
	10 OVER 30 UNDER	± ---
	30 OVER	± ---
	ANGULAR	± --- °
REV 0	DRAFT WHERE APPLICABLE MUST REMAIN WITHIN DIMENSIONS	

DIMENSION STYLE MM ONLY		SCALE ---	DESIGN UNITS METRIC	THIRD ANGLE PROJECTION
DRAWN BY KNAGUMO	DATE 2012/09/05	TITLE EMBOSS TAPE PACKAGED FOR 0.5MM FPC CONN ZIF R/A HOUSING ASSY		
CHECKED BY KAKAHASHI	DATE 2012/09/06	molex		
APPROVED BY KMORIKAWA	DATE 2013/04/16			
MATERIAL NO.	SEE CHART	DOCUMENT NO. SD-52746-032	SHEET NO. 2 OF 3	
THIS DRAWING CONTAINS INFORMATION THAT IS PROPRIETARY TO MOLEX INCORPORATED AND SHOULD NOT BE USED WITHOUT WRITTEN PERMISSION				



16	17.5	2.8	8.4	52746-0433	4
キャリアテープ幅 CARRIER TAPE WIDTH	D	(B)	(A)	MATERIAL NO.	極数 CIRCUIT

SEE SHEET 1 OF 3 EC NO.: J2013-1133 DRW:KNAGUMO 2012/09/05 CHKD:KTAKAHASHI 2012/09/06 APP:KMORIKAWA 2013/04/16	DESCRIPTION	GENERAL TOLERANCES (UNLESS SPECIFIED)		DIMENSION STYLE	SCALE	DESIGN UNITS	THIRD ANGLE PROJECTION
		10 UNDER	± ---	MM ONLY	---	METRIC	
		10 OVER 30 UNDER	± ---	DRAWN BY	DATE	TITLE	
		30 OVER	± ---	KNAGUMO	2012/09/05	EMBOSS TAPE PACKAGED FOR 0.5MM FPC CONN ZIF R/A HOUSING ASSY	
		ANGULAR	± --- °	CHECKED BY	DATE		
		DRAFT WHERE APPLICABLE MUST REMAIN WITHIN DIMENSIONS		KTAKAHASHI	2012/09/06		
				APPROVED BY	DATE		
				KMORIKAWA	2013/04/16		
				MATERIAL NO.		DOCUMENT NO.	SHEET NO.
				SEE CHART		SD-52746-032	3 OF 3
				SIZE	THIS DRAWING CONTAINS INFORMATION THAT IS PROPRIETARY TO MOLEX INCORPORATED AND SHOULD NOT BE USED WITHOUT WRITTEN PERMISSION		
				A3			