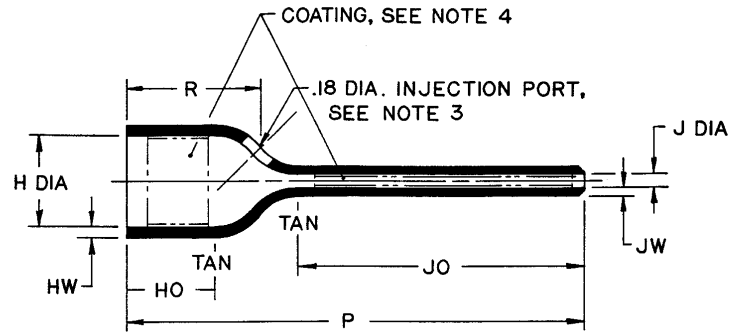


REVISIONS			
LTR	DESCRIPTION	DATE	APPROVED
A		3-18-83	<i>[Signature]</i>



NOTES:

- All dimensions are in inches (millimeters).
- Dimensions appearing in table are as follows:
 - As supplied
 - After unrestricted recovery
- When (-00) modification no. is specified, part shall have injection port located as shown and shall be supplied with plug 002A011 of same material.
- When slash no. is specified, parts shall be coated as shown.

ORDERING INFORMATION:

Base part number 202A921 -3 -00 /42
 Material dash number _____
 -3 Polyolefin, semi-rigid (RT-301)
 -4 Polyolefin, flexible (RT-1304)
 -12 Viton, flexible (RT-1312)
 -25 Elastomer, fluid resistant (RT-1325)
 Modification number _____
 -00 Injection port
 Slash number _____
 /42 S1017 Adhesive (For -3 & -4 material only)

PART NO.	H		J		P ±10%	R ±15%	HO ±10%	JO ±10%	HW ±20%	JW ±20%	
	Min	Max	Min	Max							
	a	b	$-.25 \begin{smallmatrix} \& \\ -3 \end{smallmatrix} -4$	$-.12$	b	b	b	b	b	b	
202A921	.76 (19,3)	.51 (13,0)	.25 (6,3)	.18 (4,5)	.08 (2,1)	2.38 (60,5)	.70 (17,8)	.46 (11,7)	1.49 (37,8)	.06 (1,52)	.045 (1,14)

SPECIFICATION CONTROL DRAWING

THIS DRAWING AND THE INFORMATION SET FORTH HEREON ARE THE PROPERTY OF RAYCHEM CORPORATION, AND ARE TO BE HELD IN TRUST AND CONFIDENCE. PUBLICATION, DUPLICATION, DISCLOSURE, OR USE FOR ANY PURPOSE NOT EXPRESSLY AUTHORIZED IN WRITING BY RAYCHEM CORPORATION IS PROHIBITED. DO NOT SCALE THIS DRAWING	DRAWN	<i>K. J. J. 12/24/77</i>	Raychem	RAYCHEM CORPORATION 388 CONSTITUTION DRIVE MENLO PARK, CALIFORNIA 94025	
	CHECKED	<i>S. J. J. 12-29-77</i>		TITLE	BOOT, STRAIGHT
	DSGN APPD	<i>RNC 1/5/78</i>	CODE IDENT.	PART NO.	202A921
	MFG APPD	<i>Red 1/5/78</i>	NO. 08080		
	QC APPD	<i>S. J. J. 1/5/78</i>			
	MKTG APPD	<i>B. Kefferman 1/1/78</i>			

If this document is printed it becomes uncontrolled.
Check for the latest revision.