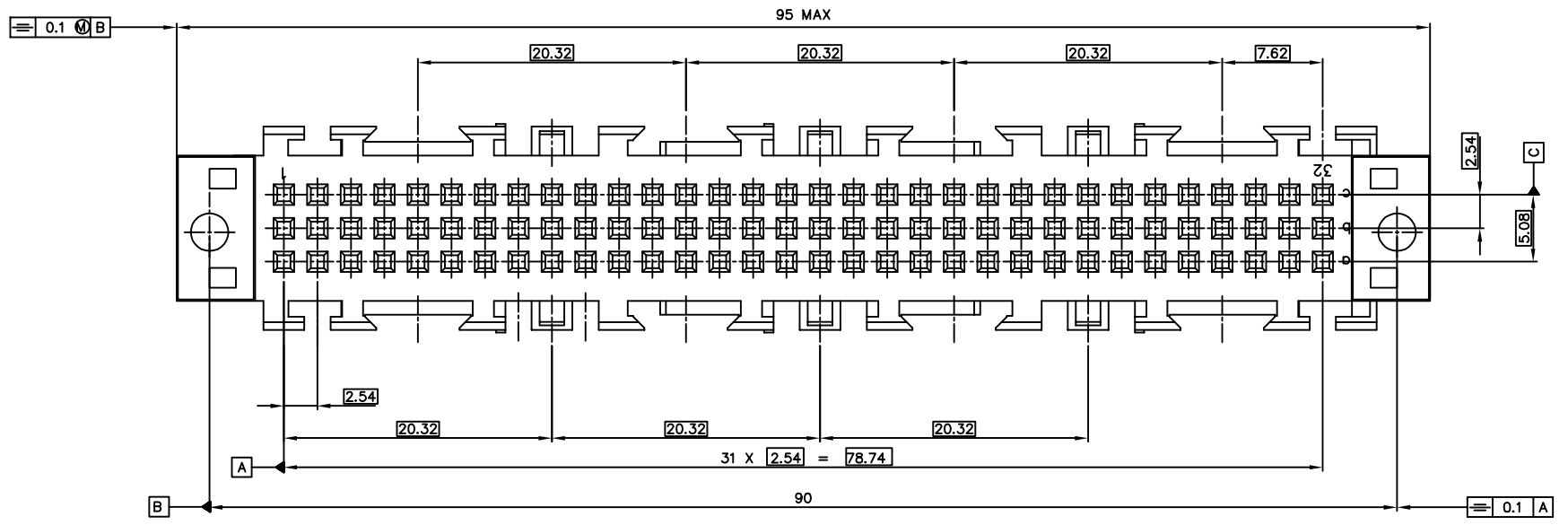
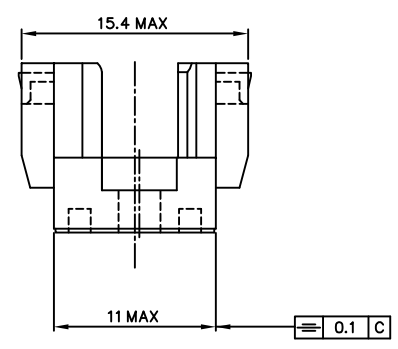
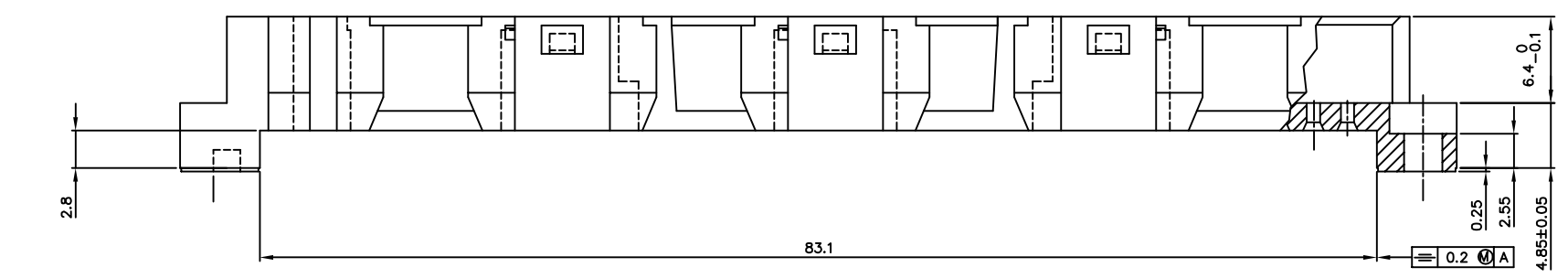
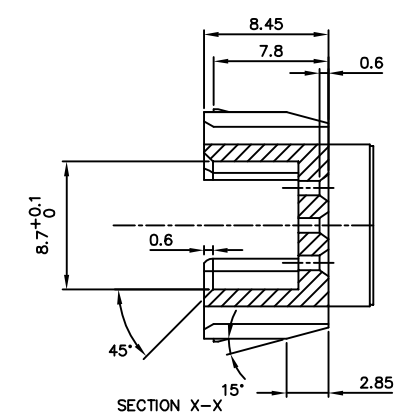
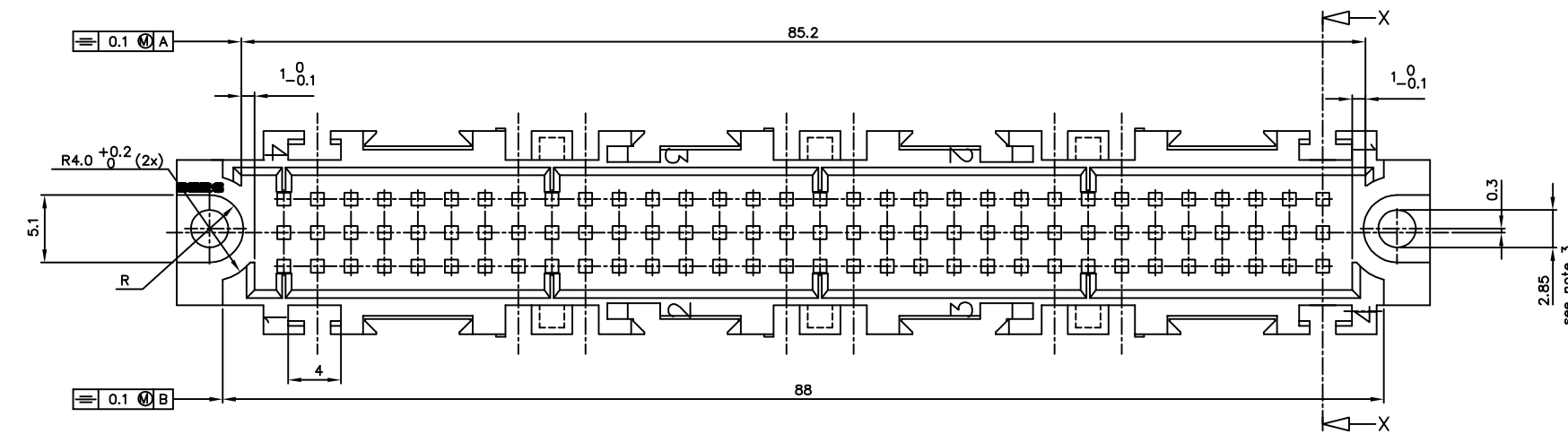


Product number	Remarks
85344-001	With notches
85344-002	Without notches



NOTES:-

1. THIS PRODUCT MEETS EUROPEAN UNION DIRECTIVES AND OTHER COUNTRY REGULATIONS AS DESCRIBED IN GS-22-008.
2. LEADFREE OR RoHS DIRECTIVE LABELLING TO BE PROVIDED AS PER GS-14-920.
3. " LF " SUFFIX TO PRODUCT NUMBER FOR RoHS COMPATIBLE/ LEADFREE VERSION.
4. PARTS WITH AND WITHOUT " LF " SUFFIX ARE FORM-FIT AND FUNCTIONALLY IDENTICAL. " LF " SUFFIX PROVIDED FOR PART NUMBER STANDARDISATION OF PART THAT MEETS RoHS REQUIREMENTS.
- 5 Product with or without modular frame walls (notches), for product number see table
- 6 Material: PBT thermoplastic polyester 30% glass filled flame retardent per UL-94-V0
7. Max torque of 20 Ncm allowed on M2.5 bolt through mounting ears, if not used in combination with metal shield part number 85350-001

mat'l. code		surface		tolerance		projection		product family	
SEE NOTE		ISO 1302		ISO 406 ISO 1101		mm		BACKPANEL	
ltr	ecn no	dr	date	tolerances unless otherwise specified		mm		title	
C	H50508	RVI	1995-09-08	angles	linear	mm		3x32 SHROUD WITH LATCH FRAME	
D	F00406	LLA	2000-05-22			scale -			
E	I05-0123	MINI	2005-07-27						
F	I05-0248	MINI	2005-11-22	dr	D.LEGRAND	2000-10-10		dwg no sheet 1 of 1 size	
G	I06-0083	MINI	2006-06-01	enr	J.F.NOTTEAU	2000-10-10		85344 A3	
				chr	RAKHEE GEORGE	2006-06-01		type Product Customer Drawing	
				appd	RAKHEE GEORGE	2006-06-01			
sheet index	revision sheet	G	1						

FCJ
 FCJconnect.com
 Copyright FCJ