

REV. Status

REVISION -
09/28/00 MP

REVISION A
REVISED MARKING
& TOLERANCE
ON PINS
04/14/05 MP

TELECOMMUNICATION MODEM COUPLING TRANSFORMER FOR WET APPLICATION

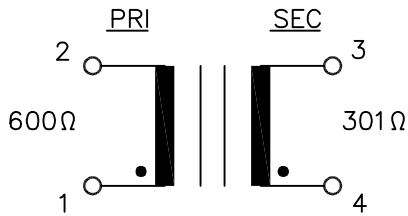
A. Electrical Specifications (@ 25°C)

1. Pri Source Impedance; 600Ω
2. Sec Load Impedance; 301Ω
3. Operating Level; -20dBm to +4dBm
4. Insertion Loss;
3.75dB MAX @ 1KHz, 0dBm, DC 65mA
5. Frequency Response (relative to 1 KHz)
±4.0dB @ 300Hz to 600Hz, 0dBm
±1.0dB @ 600Hz to 3.5KHz, 0dBm
6. Longitudinal Balance;
66dB MIN @ 60Hz to 1KHz
46dB MIN @ 1KHz to 4KHz
(Per FCC Part 68.310 with 4 grounded)
7. DC Resistance;
(1-2)=152Ω ±15%
(3-4)=152Ω ±15%
8. Turns Ratio; (1-2):(4-3) = 1:1.00±2%
9. Dielectric Strength;
1875Vrms 1 second Pri to Sec

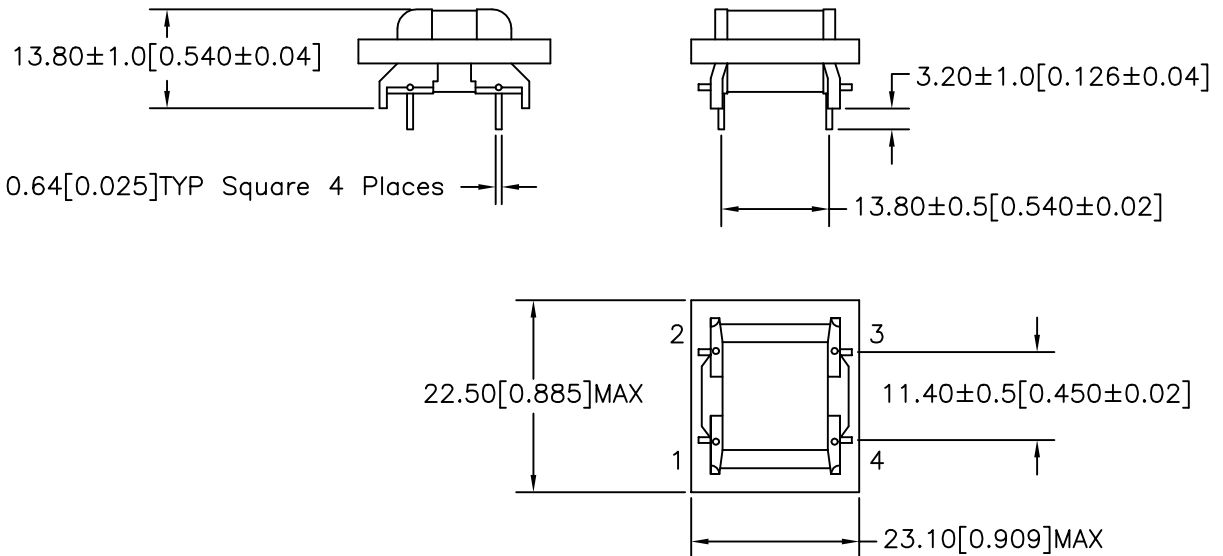
B. Marking; TTC-5020C, TAMURA, date code and country of origin
"C" designates UL approved family classification

C. Safety: UL 1950 Third Edition, UL60950, EN60950

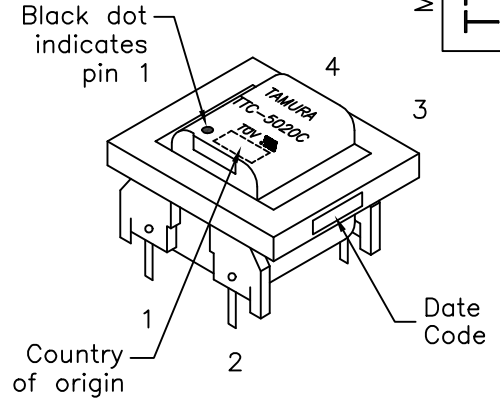
D. Schematic Diagram



E. Mechanical Specifications




UL# E208555



MODEL NUMBER

TTC-5020

PREPARED BY:
K. BRENNAN

ENGINEER:
M. PITCHAI
ACAD\TTC\A1125091.DWG

REV
A

MODEM COUPLING
TRANSFORMER

TAMURA CORPORATION OF AMERICA
43352 BUSINESS PARK DRIVE, TEMECULA, CA. 92590-6624
(909) 699-1270 FAX 9096769482

TTC-5020
MODEL SPECIFICATION

DIM: mm(In) SCL: 1/1 SH: 1 OF 1

QUALITY CONTROL:
T. CLEM

APPROVED:
Y. SEKIGUCHI

PROPRIETARY NOTICE: THIS DRAWING PRINT OR DOCUMENT AND SUBJECT MATTER DISCLOSED HEREIN ARE PROPRIETARY ITEMS TO WHICH TAMURA RETAINS THE EXCLUSIVE RIGHT OF DISSEMINATION, REPRODUCTION, MANUFACTURE AND SALE. THIS DRAWING, PRINT OR DOCUMENT IS SUBMITTED IN CONFIDENCE FOR CONSIDERATION BY THE RECIPIENT ALONE UNLESS PERMISSION FOR FURTHER DISCLOSURE IS EXPRESSLY GRANTED IN WRITING.