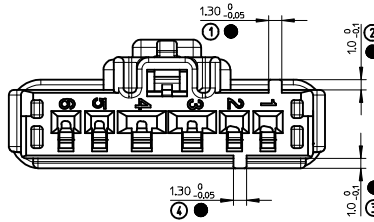
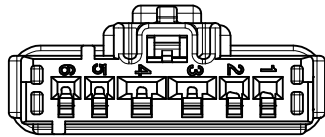


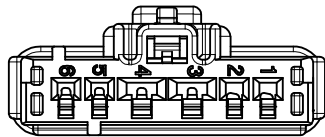
MOLEX P/N°: 0988211060
COLOUR: WHITE



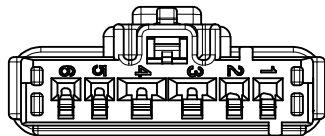
MOLEX P/N°: 0988211061
COLOUR: BLACK



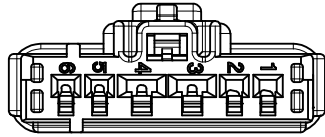
MOLEX P/N°: 0988211065
COLOUR: GREEN



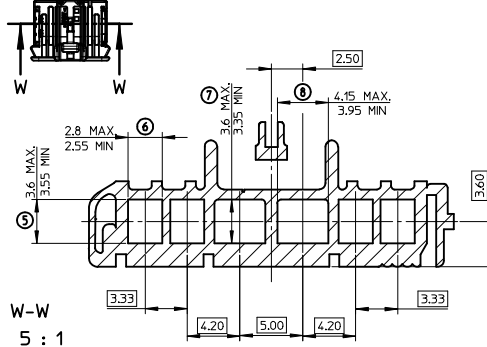
MOLEX P/N°: 0988211068
COLOUR: GREY



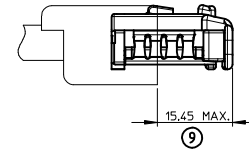
MOLEX P/N°: 0988211069
COLOUR: BROWN



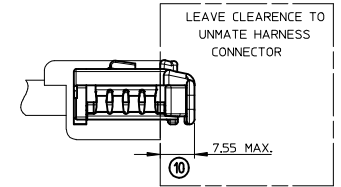
FEMALE CONTACT POSITION IN THE CAVITY AND CAVITIES POSITION 5:1



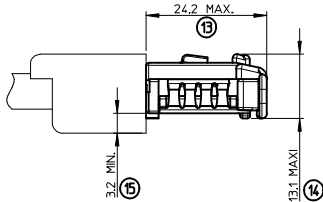
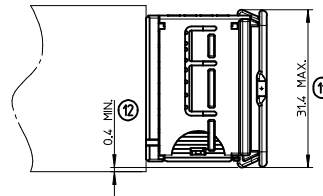
HOLDING IN FIXTURE DIMENSION PRIOR TO LOCKING 2:1



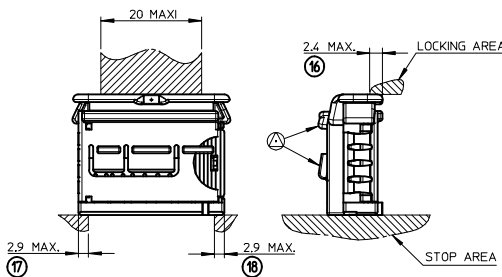
DIMENSION WHEN CONNECTOR MATE 2:1



CLEARANCE FOR CONNECTOR MATE AND UNMATE 2:1



HOLDING IN FIXTURE 2:1



		MOLEX P/N	
SCC RCPT TERM 1.5 MM	RANGE 1	0988971109	
	RANGE 2	0988971119	
	RANGE 3	0988971129	
TERM RCPT 2.8 MM UCC2	RANGE 1		0988981029
	RANGE 2		0988981039
	RANGE 3		0988981049

INDICATION DIMENSIONS S.P.C DENOTES S.P.C DIMENSIONS
INDICATION DIMENSIONS CRITIQUES DENOTES CRITICAL DIMENSIONS
INDICATION DIMENSIONS FONCTIONNELLES DENOTES FUNCTIONAL DIMENSIONS
QUANTITE PAR FEUILLE INDIVIDUELLE QUANTITY PER INDIVIDUAL SHEET
X = 0 ● = 0 ● = 4

- FEMALE CONNECTOR WILL MATE WITH MALE CONNECTOR P/N 098825106x OR HEADER P/N 098770201X

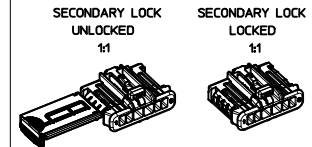
- THE USING CONDITIONS OF THE HINGE ARE SHOWN IN THE MOLEX SPECIFICATION N°: AS-98821-001.

- HOLDING FORCE ONTO FIXTURE:
20 TO 35 NEWTON WITH PUSH TEST.
10 TO 35 NEWTON WITHOUT PUSH TEST.

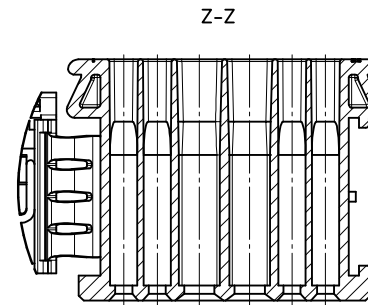
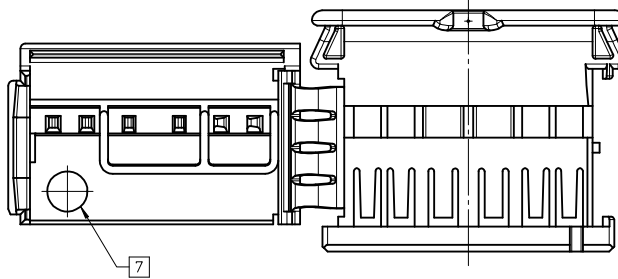
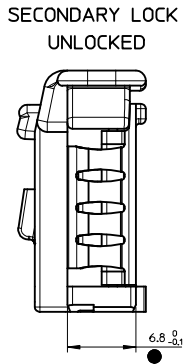
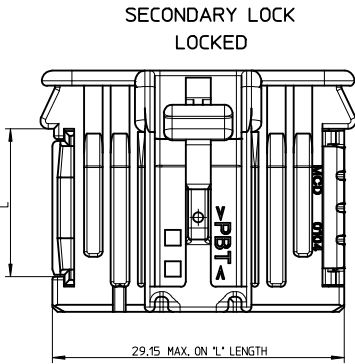
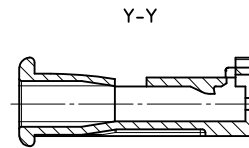
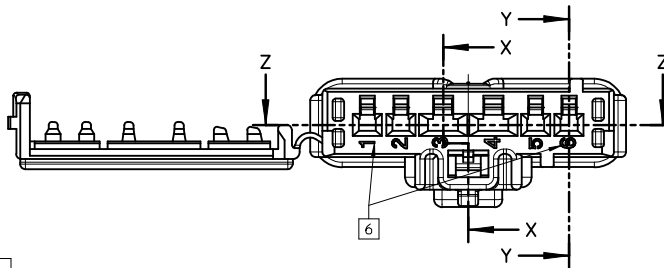
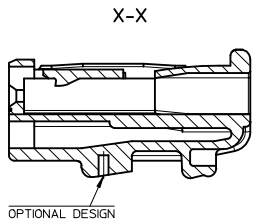
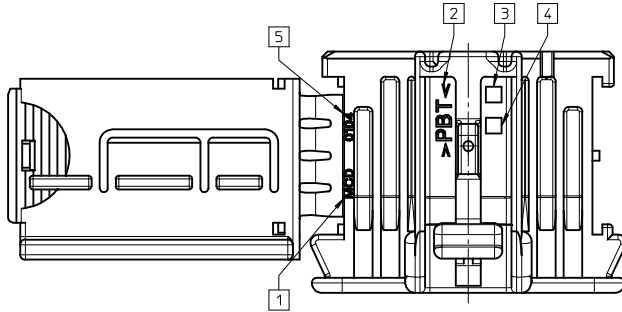
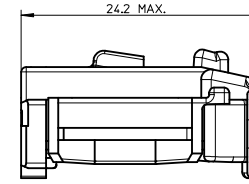
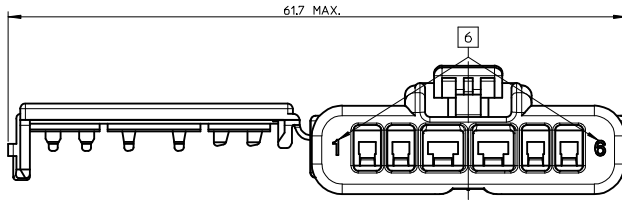
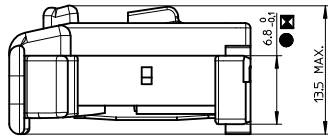
- DO NOT LOCK THE FIXTURE WITH THE AREA IDENTIFIED BY: (A)

- DO NOT DAMAGE THE PART ON THE AREA IDENTIFIED BY: (B)

- FEMALE TERMINAL USED: SEE CHART BELOW.



REVISED EC NO: G2013-0106 DRAWING: BRUIERES 2012/10/10 CHKD: DUCLOS 2012/10/11 APPR: OPLESSIS 2012/11/22	QUALITY SYMBOLS	GENERAL TOLERANCES (UNLESS SPECIFIED)		DIMENSION STYLE MM ONLY		SCALE 4:1	DESIGN UNITS METRIC	FIRST ANGLE PROJECTION	
			mm	INCH	DRAWN BY LPOUCHAUD	DATE 2007/12/05	TITLE UCC RCPT CONN HYBRID UNSEALD 6CKT		
		4 PLACES ± --- ± ---			CHECKED BY YIGEL	DATE 2007/12/12	DOCUMENT NO. SD-98821-002		
		3 PLACES ± --- ± ---			APPROVED BY LSTICKEIR	DATE 2007/12/17			
2 PLACES ± 0.05 ± ---			MATERIAL NO.		THIS DRAWING CONTAINS INFORMATION THAT IS PROPRIETARY TO MOLEX INCORPORATED AND SHOULD NOT BE USED WITHOUT WRITTEN PERMISSION				
1 PLACE ± 0.10 ± ---			SEE CHART						
0 PLACE ± ±			ANGULAR ± 1 °						
DRAFT WHERE APPLICABLE MUST REMAIN WITHIN DIMENSIONS									



- FEMALE CONTACTS AND CAVITIES LOCATION, HOLDING IN FIXTURE, OVERALL DIMENSIONS, KEY ACCORDING SHEET 1/2 OF SAME P/N°.

MARKINGS:

- 1 - SUPPLIER ENG. CONTROL ID.
- 2 - MATERIAL
- 3 - PRINT NUMBER
- 4 - SUPPLIER MODIF. LEVEL
- 5 - SUPPLIER P/N°
- 6 - CAVITY N°
- 7 - DATUM: MONTH/YEAR

1 : 1



[X] INDICATION DIMENSIONS S.P.C DENOTES S.P.C DIMENSIONS
 [O] INDICATION DIMENSIONS CRITIQUES DENOTES CRITIQUES DIMENSIONS
 [●] INDICATION DIMENSIONS FONCTIONNELLES DENOTES FUNCTIONAL DIMENSIONS
 QUANTITE PAR FEUILLE INDIVIDUELLE QUANTITY PER INDIVIDUAL SHEET
 [X] = 0 [O] = 0 [●] = 0

DESCRIPTION	P/N°	COLOUR	MATERIAL	EFFECTIVE WEIGHT
UCC RCPT CONN HYBRID UNSEALED 6CKT	0988211069	BROWN	PBT UL 94 HB	3.370 g
	0988211068	GREY		
	0988211065	GREEN		
	0988211060	WHITE		
	0988211061	BLACK		

REVISED
 E.C. NO: G2013-0106
 DRAWING REVISIONS
 2012/10/10
 CHKD: JDUCCLOS
 APPR: OPJLESSIS
 2012/11/22

QUALITY SYMBOLS	GENERAL TOLERANCES (UNLESS SPECIFIED)	
	mm	INCH
▽=0	4 PLACES ± ---	± ---
▽=0.05	3 PLACES ± ---	± ---
▽=0.10	2 PLACES ± 0.05	± ---
▽=0.15	1 PLACE ± 0.10	± ---
▽=0.20	0 PLACE ±	±

ANGULAR ± 1°
 DRAFT WHERE APPLICABLE MUST REMAIN WITHIN DIMENSIONS

DIMENSION STYLE	
MM ONLY	
DRAWN BY	DATE
LPOUCHAUD	2007/12/05
CHECKED BY	DATE
YIGEL	2007/12/12
APPROVED BY	DATE
LSTICKEIR	2007/12/17
MATERIAL NO.	
SEE CHART	

SCALE	DESIGN UNITS	FIRST ANGLE PROJECTION	TITLE
4:1	METRIC	[Symbol]	UCC RCPT CONN HYBRID UNSEALED 6CKT
DOCUMENT NO.			SHEET NO.
SD-98821-002			2 OF 2
THIS DRAWING CONTAINS INFORMATION THAT IS PROPRIETARY TO MOLEX INCORPORATED AND SHOULD NOT BE USED WITHOUT WRITTEN PERMISSION			