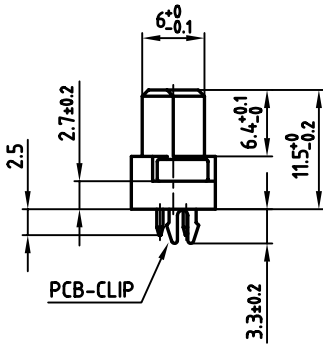
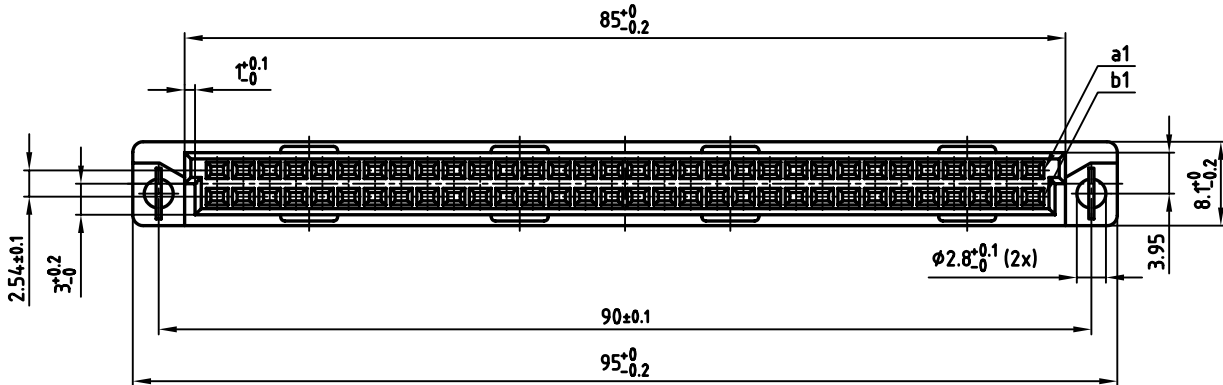
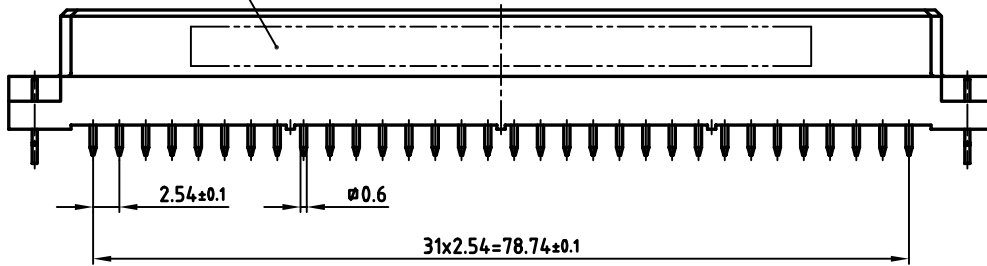


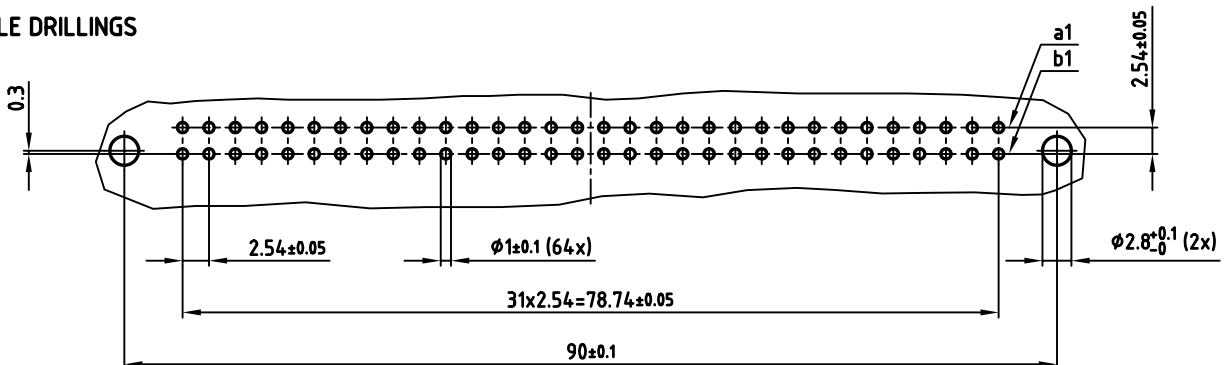
SEE NOTE 4



NOTES:

1. INSULATORS: PBTP UL 94 V-0, GREY
2. CONTACTS: COPPER ALLOY
PLATING: GOLD OVER NICKEL
50 MATING CYCLES
3. PCB-CLIP: COPPER ALLOY
PCB HOLE $\phi 2.6 \pm 0.1$ / PCB THICKNESS $t=1.6\text{mm}$
4. CONNECTOR IS PART MARKED: 122A13209X CONEC ABC

P.C.B. HOLE DRILLINGS



APPROVAL # FREIGABE # DEBLOCAGE # AUTORIZACION # APPROVAL	
CUSTOMER APPROVAL DATE:	
NAME:	TITLE:
COMPANY NAME:	
APPROVAL # FREIGABE # DEBLOCAGE # AUTORIZACION # APPROVAL	

THIS DRAWING MAY NOT BE COPIED OR REPRODUCED IN ANY WAY, AND MAY NOT BE PASSED ON TO A THIRD PARTY, WITHOUT WRITTEN PERMISSION. OWNERSHIP AND COPYRIGHT OF CONEC GmbH DO NOT ALTER CAD DRAWING BY HAND			
rev.	description	date	name

tolerance			dim. in mm
2005	date	name	
drawn	21.10.	Lehmenkühler	scale: 2:1 material: SEE NOTES title: FEMALE CONNECTOR TYPE "B" 64pos. SOLDER PIN 2.5mm with clip dwg no: AutoCAD 2004 12K1A400 part no: 122A13209X
appd.	21.10.	Mickenbecker	
norm	DIN EN 60603		
d-old			
			DIN-A 3 sh: 1/1