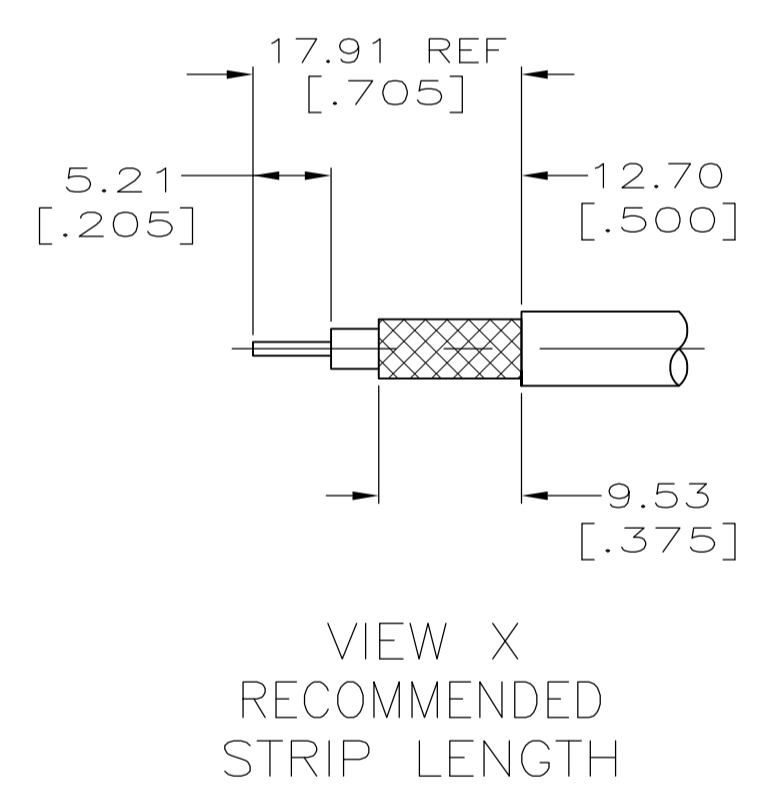
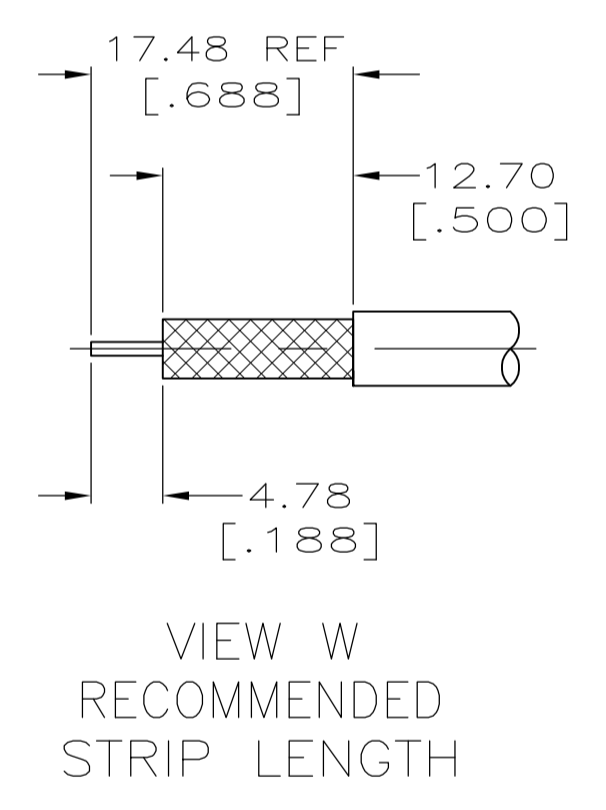
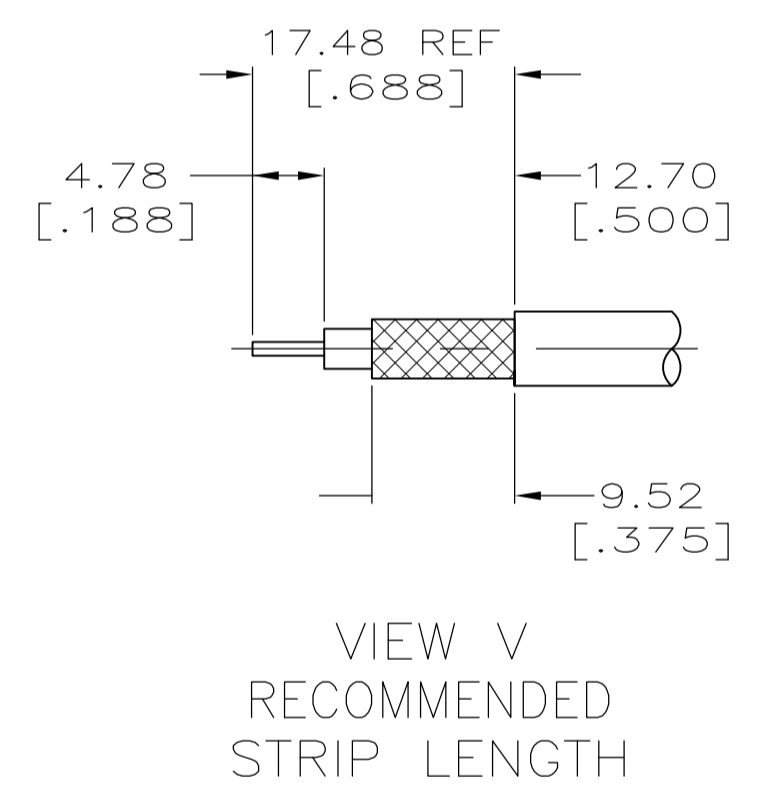
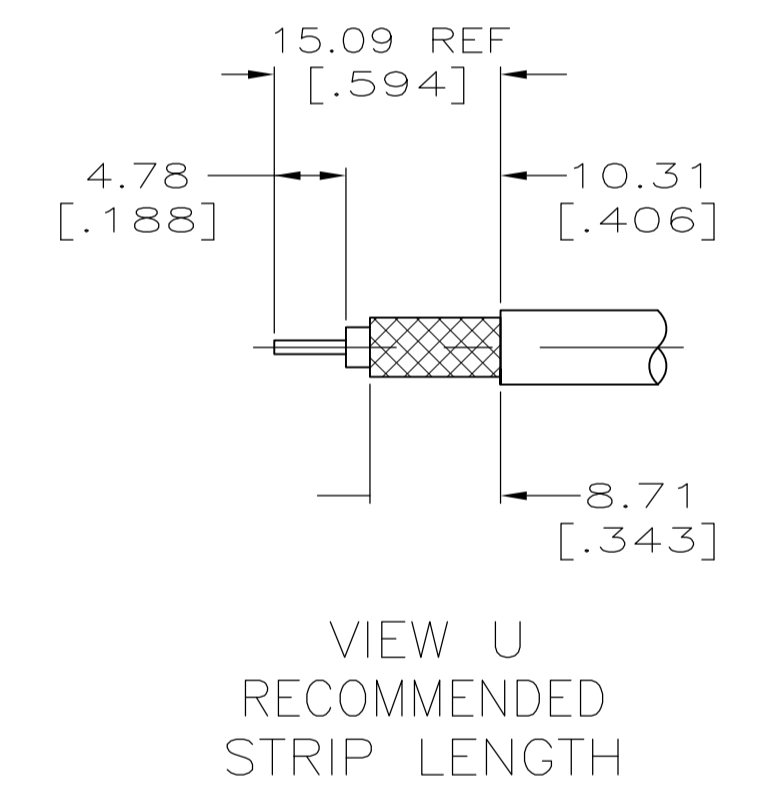


1. FELECA F1703/94 AND FILOTEX 50 MFCFB
 2. SEE U.S. 2299-5



SUPERSEDED BY 1-5225349-1														
SUPERSEDED BY 5225349-9	RG-9/U,9A/U & 214/U	220015-6	29.97 [1.180]	57.15 [2.250]	X AND Z	225908-1	9-331256-0	225471-7	5-225518-4	1-225349-1				
SUPERSEDED BY 225559-8	RG-8/U,8A/U & 213/U	220015-1	29.97 [1.180]	59.51 [2.343]	W AND Z	-	9-51713-4	225599-1	225518-3	225349-9				
SUPERSEDED BY 225554-6	RG-142/U,142A/U & 142B/U	220015-1	26.57 [1.046]	59.51 [2.343]	V AND Z	-	51713-2	225599-1	225518-3	225349-8				
	OBSOLETE RG-141/U & 141A/U	220045-2	30.94 [1.218]	46.81 [1.843]	U AND Y	-	225382-2	225471-3	225518-1	225349-6				
SUPERSEDED BY 225554-3	RG-59B/U & 62B/U	220045-2	30.94 [1.218]	46.81 [1.843]	U AND Y	-	225381-2	225471-3	225518-1	225349-5				
SUPERSEDED BY 225554-2	RG-58/U,58A/U,58B/U & 58C/U	220045-3	30.94 [1.218]	42.85 [1.687]	U AND Y	-	50428-1	225471-2	225518-2	225349-3				
SUPERSEDED BY 225554-1	RG-55/U,55A/U,55B/U & 223/U	220045-2	30.94 [1.218]	46.81 [1.843]	U AND Y	-	50427-1	225471-1	225518-1	225349-2				

CABLE SIZE	CRIMP TOOL	B	A	VIEW	4	SEAL QTY=1	3 FERRULE QTY=1	2 CONTACT QTY=1	1 PLUG ASSY QTY=1	PART NUMBER
------------	------------	---	---	------	---	---------------	--------------------	--------------------	----------------------	-------------

THIS DRAWING IS A CONTROLLED DOCUMENT.

DIMENSIONS: mm [INCHES]	TOLERANCES UNLESS OTHERWISE SPECIFIED:	DIN B SCOTT 07-22-91	8-20-91
0 PLC ± -	1 PLC ± -	J LIPPERT	
2 PLC ± 0.41 [0.016]	3 PLC ± -	M PHILLIPS	9-13-91
4 PLC ± -	ANGLES ± -	NAME	
MATERIAL	FINISH	PRODUCT SPEC	108-12001
		APPLICATION SPEC	
		SIZE	A1
		WEIGHT	00779
		CUSTOMER DRAWING	SCALE 2:1 SHEET 1 OF 1 REV M3

STE TE Connectivity
 PLUG, RIGHT ANGLE, SERIES TNC