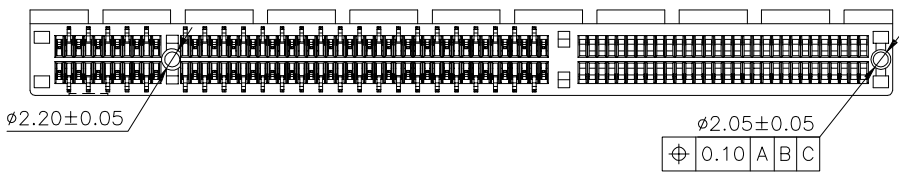
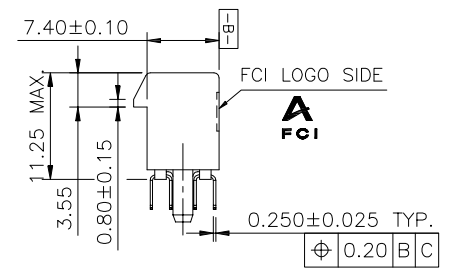
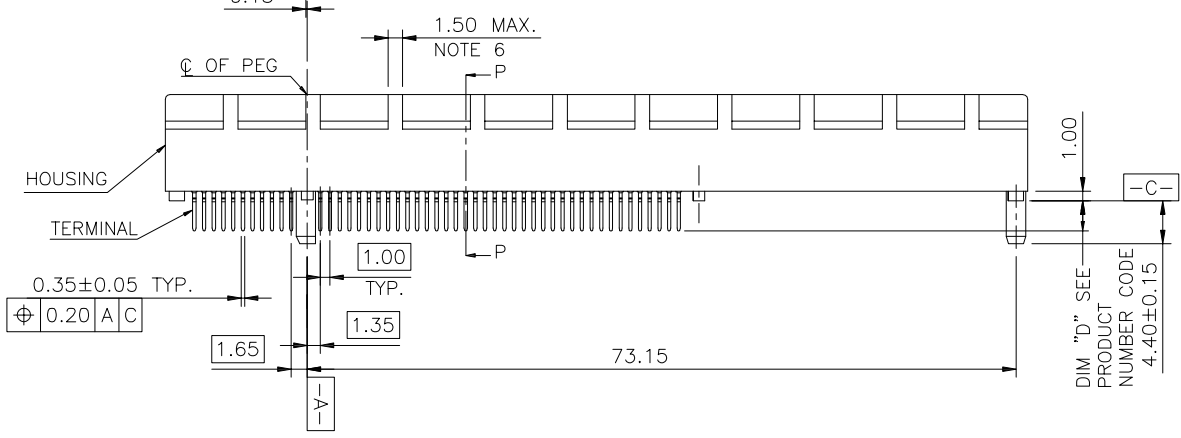
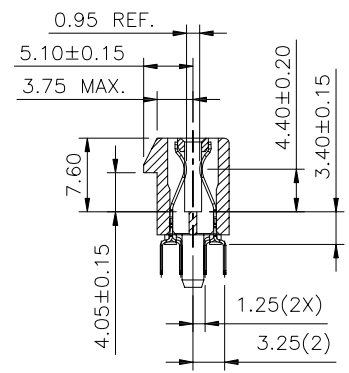
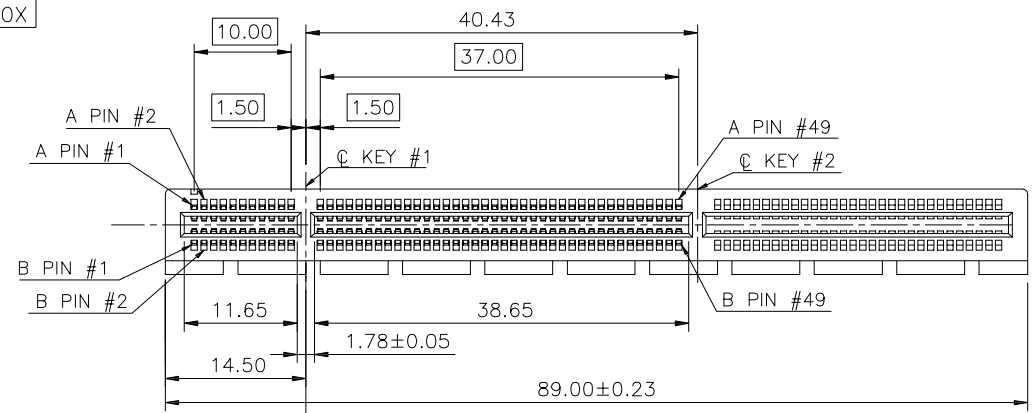


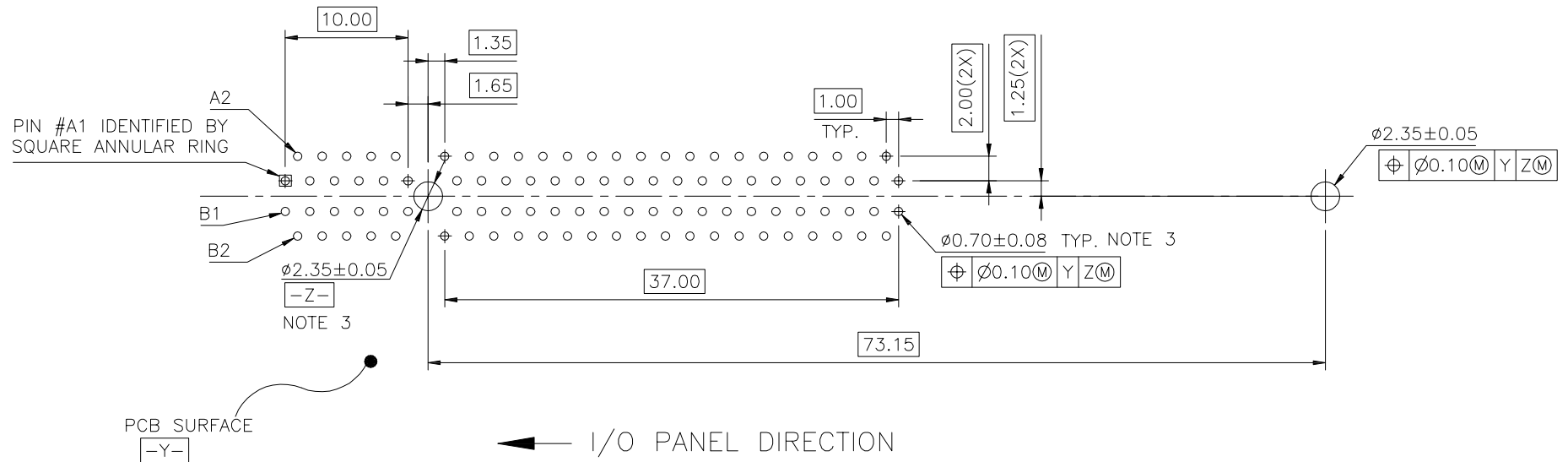
PRODUCT NO.  
10036767-X0XX0X



CONFIDENTIAL

mat'l. code				tolerances unless otherwise specified		CUSTOMER COPY	 www.fciconnect.com	
ltr	ecn no	dr	date	linear	.X ± 0.30			
A	T05-0010	M W	01/11/05	linear	.XX ± 0.20	projection	title	
B	ELX-06-2161-1	S T	05/27/15	angles	.XXX ± 0.10			
-	-	-	-		0° ±2°	 MM	PCI EXPRESS GEN3 SPECIAL TYPE ASS'Y	
				dr	STONE LI 05/27/15			
				enr	STONE LI 05/27/15	scale	product family	
				chr	/ /			EDGE CARD
				appd	PM ZHENG 05/27/15	1.5:1	size	TWN
sheet index	revision sheet	B 1	B 2	B 3	B 4	A4	10036767	sheet 1 of 4

cage code  
22526



A

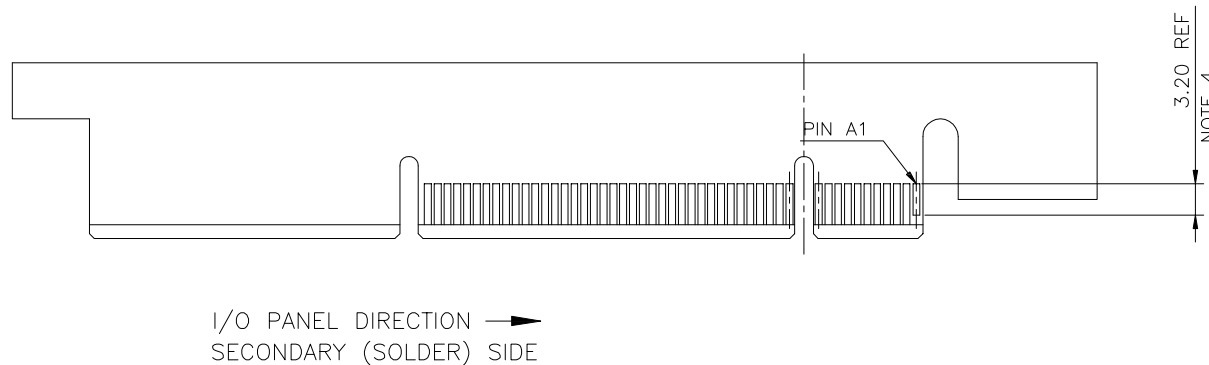
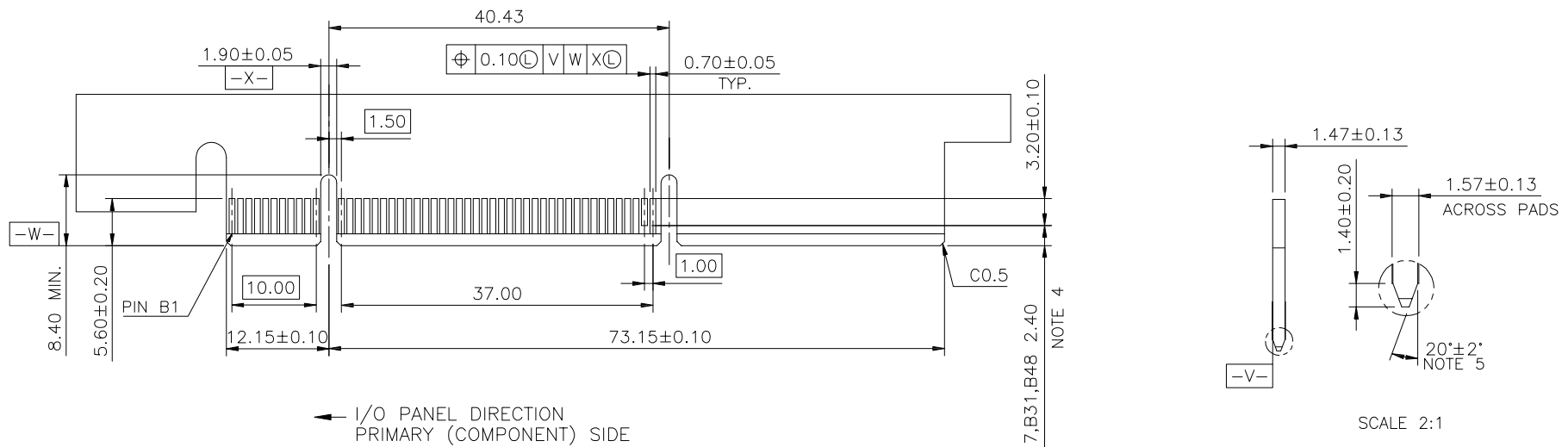
A

B

B


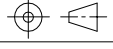
CONFIDENTIAL

mat'l. code				tolerances unless otherwise specified			CUSTOMER COPY		 www.fciconnect.com		
ltr	ecn no	dr	date	linear	.X ±		projection	 title			
					.XX ±						
					.XXX ±						
				angles	0° ±2°		 MM	PCI EXPRESS GFN3 SPECIAL TYPE ASS'Y			
				dr	STONE LI	05/27/15					
				enr	STONE LI	05/27/15					
				chr	/	/					
				appd	PM ZHENG	05/27/15					
sheet index		revision sheet		scale		2:1		A4		10036767	
				cage code		22526				sheet 2 of 4	



ADD-IN CARD EDGE-FINGER DIMENSIONS

CONFIDENTIAL

mat'l. code				tolerances unless otherwise specified		CUSTOMER COPY	 www.fciconnect.com	
ltr	ecn no	dr	date	linear	.X ±		projection	title
					.XX ±		PCI EXPRESS GEN3 SPECIAL TYPE ASS'Y	
				angles	.XXX ±		product family	EDGE CARD
				dr	0° ±2°	MM	size	TWN
				enr			scale	10036767
				chr		1.5:1	A4	3 of 4
				appd				
sheet index	revision sheet							

cage code  
22526

NOTES:

1.MATERIAL:

HOUSING: HIGH TEMPERATURE NYLON REFLOW, GLASS FILLED UL94V-0 RATED. SUITABLE FOR WAVE SOLDERING.

TERMINAL: COPPER ALLOY

PLATING: 50u" NICKEL UNDERPLATE ALL OVER  
CONTACT AREA PLATING - SEE PRODUCT NUMBER CODE  
SOLDER TAIL: TIN OR TIN /LEAD(90/10)- SEE PRODUCT NUMBER CODE 100u" MIN. OVER 50u" NICKEL

METAL BOARD LOCKS: COPPER ALLOY

FINISH: 100u" TIN OR TIN/LEAD(90/10) OVER 50u" NICKEL  
UNDERPLATE SEE PRODUCT NUMBER CODE

2.PRODUCT SPECIFICATION: GS-12-233

③THE HORIZONTAL AXIS FOR THE HOLE PATTERN IS ESTABLISHED BY

A LINE THROUGH THE CENTER OF THE TWO Ø2.35 HOLES.

THE VERTICAL AXIS IS 90° TO THE HORIZONTAL AXIS, THROUGH THE CENTER OF DATUM Z.

④NO TIE BAR PERMITTED FROM CARD EDGE TO LEADING EDGE OF PAD FOR PINS A1 AND PIN NUMBERS "F".

⑤CHAMFER EDGES MUST BE FREE OF CUTTING BURRS.

⑥FREQUENCY & LOCATION AT SUPPLIER DISCRETION. RIDGE MAY BE CONTINUOUS WITH NO BREAKS.

7.RoHS COMPATIBLE PRODUCT SPECIFICATIONS

a - PLATING:

- "LF" MEANS THE PRODUCT IS LEAD-FREE, 2um MINIMUM MATTE TIN OVER 1.27um MINIMUM NICKEL UNDERPLATE.

b - MANUFACTURING PROCESS COMPATIBILITY

- THE HOUSING WILL WITHSTAND EXPOSURE TO 260°C±5°C SOLDER BATH TEMPERATURE FOR 5 SECONDS IN A WAVE SOLDER APPLICATION WITH A 1.6mm MIN THICK CIRCUIT BOARD.

PRODUCT NUMBER CODE

10036767 -x x x x 0 x □ □

HOUSING COLOR OPTIONS

1-BLACK

PEGS OPTIONS

0-PLASTIC PEGS

LEAD FREE OPTIO

LEAVE BLANK FOR TERMINAL PLATING 3.4.5  
"LF" FOR TERMINAL PLATING OPTION 0,1,2

PACKAGING OPTIONS

T-TRAY PACKAGING

TERMINAL PLATING OPTIONS

0-50u" Ni UNDERPLATE  
30u" Au CONTACT AREA  
100u" TIN TAIL AREA ----- COMPATIBLE RoHS

1-50u" Ni UNDERPLATE  
15u" Au CONTACT AREA  
100u" TIN TAIL AREA ----- COMPATIBLE RoHS

2-50u" Ni UNDERPLATE  
GOLD FLASH CONTACT AREA  
100u" TIN TAIL AREA ----- COMPATIBLE RoHS

3-50u" Ni UNDERPLATE  
30u" Au CONTACT AREA  
100u" TIN/LEAD TAIL AREA ----- INCOMPATIBLE RoHS


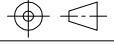
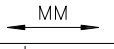
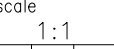
4-50u" Ni UNDERPLATE  
15u" Au CONTACT AREA  
100u" TIN/LEAD TAIL AREA ----- INCOMPATIBLE RoHS

5-50u" Ni UNDERPLATE  
GOLD FLASH CONTACT AREA  
100u" TIN/LEAD TAIL AREA ----- INCOMPATIBLE RoHS

TAIL LENGTH OPTIONS

	DIM "D"	PCB THICKNESS
0	2.30 <sup>+0.25</sup> / <sub>-0.13</sub>	1.56±0.10

CONFIDENTIAL

mat'l. code				tolerances unless otherwise specified			CUSTOMER COPY		 www.fciconnect.com			
ltr	ecn no	dr	date	linear	.X ±			projection	title			
A					.XX ±				PCI EXPRESS GEN3 SPECIAL TYPE ASS'Y			
					.XXX ±							
				angles	0° ±2°			 MM  1:1	product family		EDGE CARD	code
				dr	STONE LI	05/27/15	size		dwg no	TWN		
				enr	STONE LI	05/27/15	A4		10036767	sheet		
				chr	/	/				4 of 4		
				appd	PM ZHENG	05/27/15						
sheet index	revision											
	sheet											

cage code  
22526