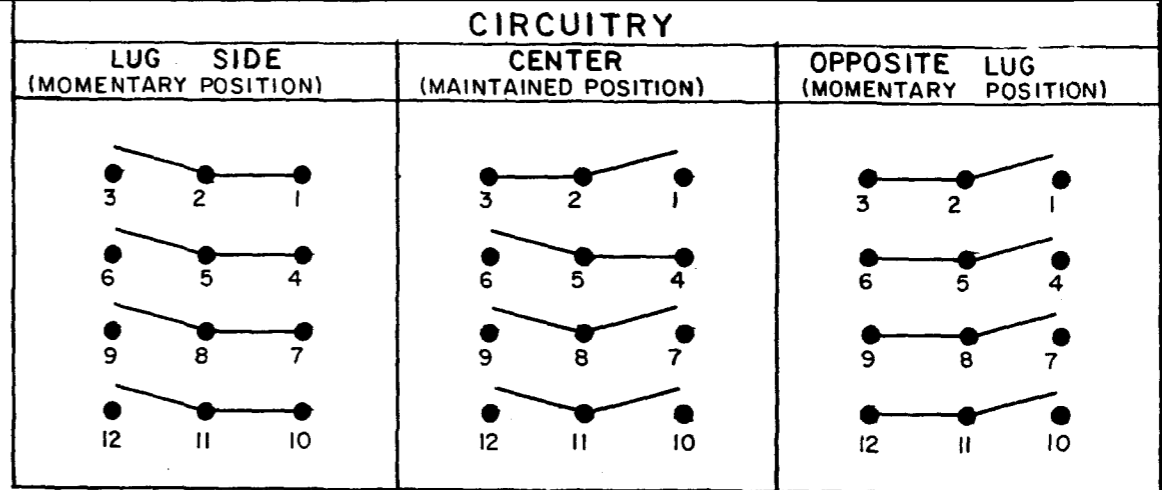


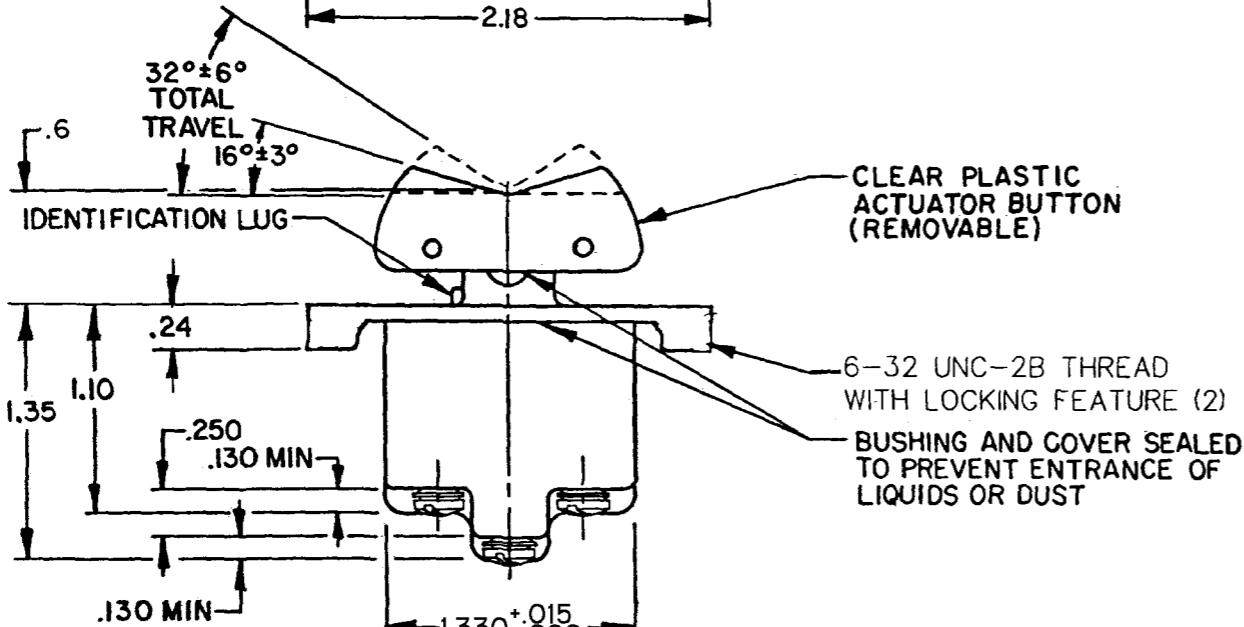
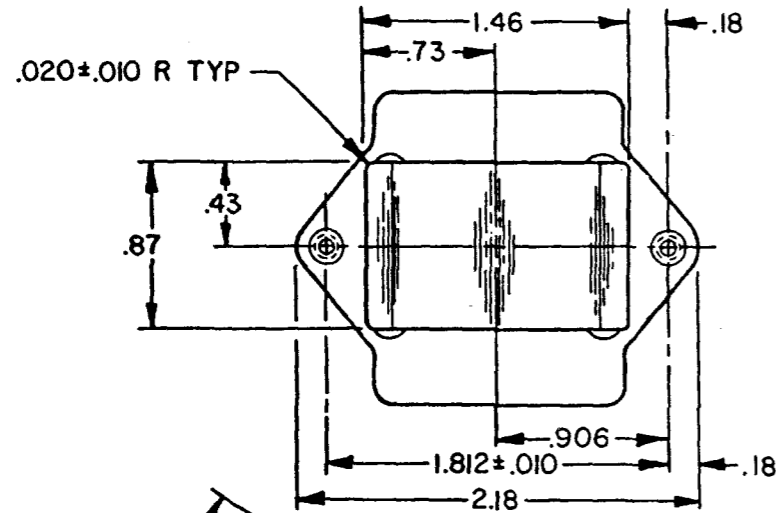
**MICRO SWITCH**  
 FREEPORT ILLINOIS U.S.A.  
 A DIVISION OF HONEYWELL  
 FED. MFG. CODE 91929

**SWITCH - TOGGLE**  
**ABOVE PANEL MOUNT**

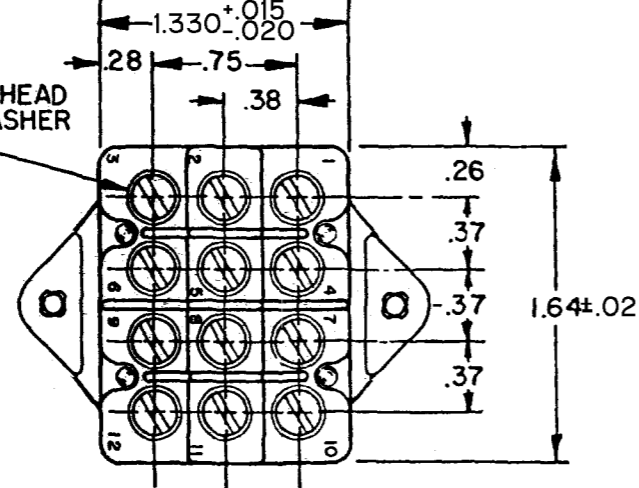
CATALOG LISTING  
**4TP4-70**



10A-125, 250, 277 VAC   
 1/4HP-125VAC; 1/2HP-250, 277VAC  
 3A-125VAC "L" CODE L192



6-32 UNC X .260 REF BINDING HEAD TERMINAL SCREW AND LOCKWASHER (SEMS) ONE PER TERMINAL



THIRD ANGLE PROJECTION

SCALE FULL

DO NOT SCALE PRINT

TOLERANCES  
 APPLY TO DESIGN UNITS. CONVERSIONS ARE ONLY FOR REFERENCE. UNLESS NOTED, TOLERANCES ARE ±

DIM.	TOL.	DIM.	TOL.
IN	mm/in	IN	mm/in
NO PLACES	X	1/64	0.01/0.05
ONE PLACE	X.X	0.01/0.18	0.01/0.18
TWO PLACES	X.XX	0.001/0.006	0.001/0.006
THREE PLACES	X.XXX	0.0001/0.0006	0.0001/0.0006

DESIGN UNITS  SI METRIC  US CUSTOMARY

RAW MATERIAL-COMMERCIAL STANDARD

MICRO SWITCH STANDARDS APPLY

DIMENSIONS ARE TO BE MET BEFORE PROTECTIVE COATINGS ARE APPLIED

WEIGHT .22 LB EST.

**NOTES**

- 1 - MICRO SWITCH CATALOG LISTING MARKED ON SIDE OF SWITCH
- 2 - THESE SWITCHES WILL WITHSTAND TEMPERATURE OF 160°F
- 3 - SCREWS FURNISHED UNASSEMBLED

CATALOG LISTING  
**4TP4-70**  
 PAGE 1 OF 1  
 RELEASE NO. PR-10169  
 REPLACES  
 ISSUE  
**M**  
 12  
 REVISIONS  

A	085	CO-47730	1 MAY 81	CHECK
B	RE-INS	PR-10169	1 MAY 81	CHECK
C	CO	49791	1 MAY 81	CHECK
D	WJM	CO49991	1 MAY 81	CHECK
E	WJM	CO56164	1 MAY 81	CHECK
F	J.A.P.	CO60064	1 MAY 81	CHECK
G	J.S.	CO77897	1 MAY 81	CHECK
H	CO	79047	1 MAY 81	CHECK
J	CO	94417	1 MAY 81	CHECK
K	CSL	200061	1 MAY 81	CHECK

 DRAWN  
 T M M 28 APR 81  
 FORMTEK  
 FD-32854-B