

DWG. NO.
SD-35068-9702

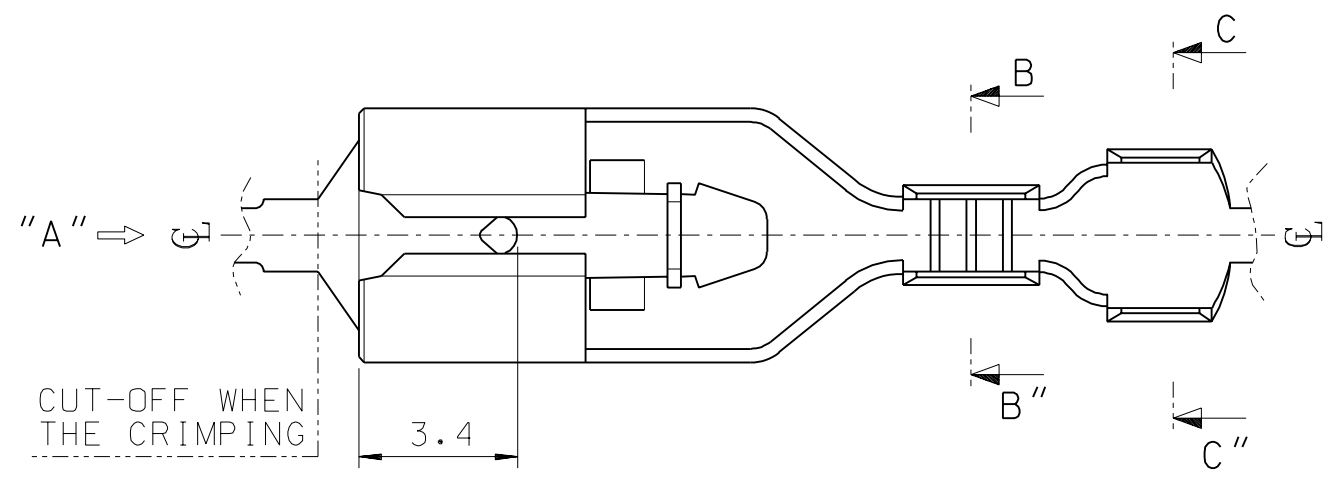
SIMILAR ITEM

PROJECT NO.
.187 MP-LOCK CONN'

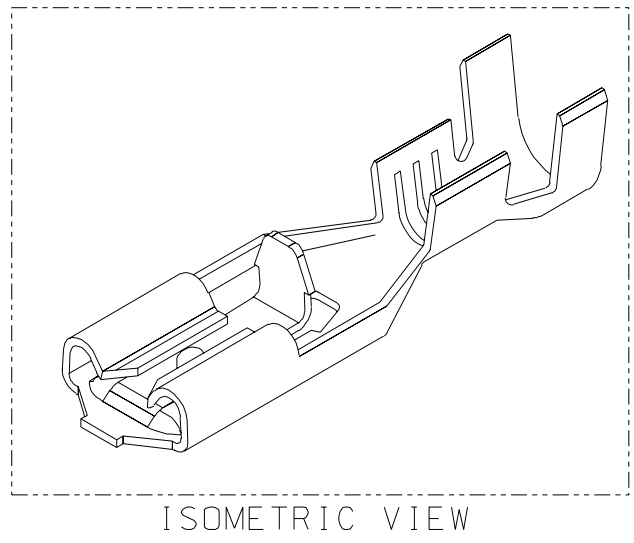
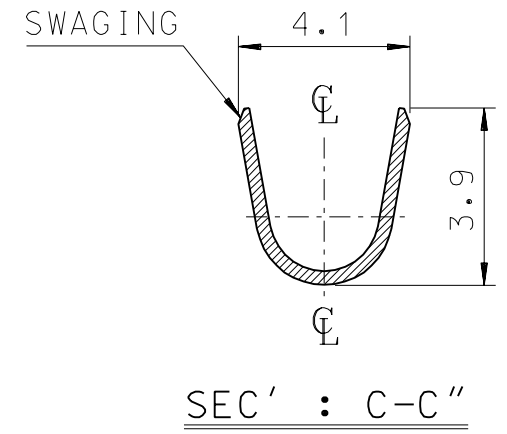
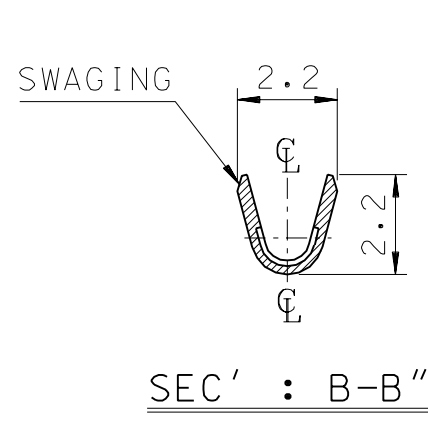
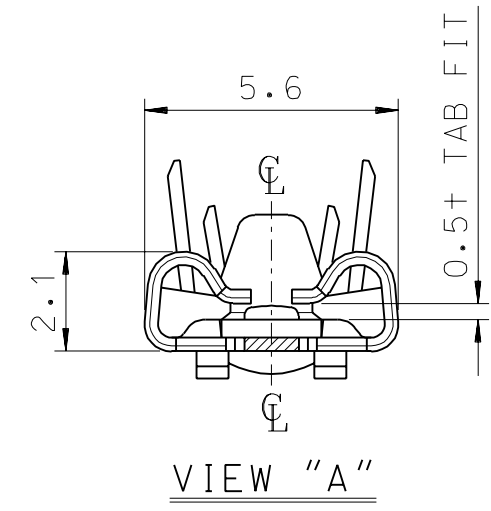
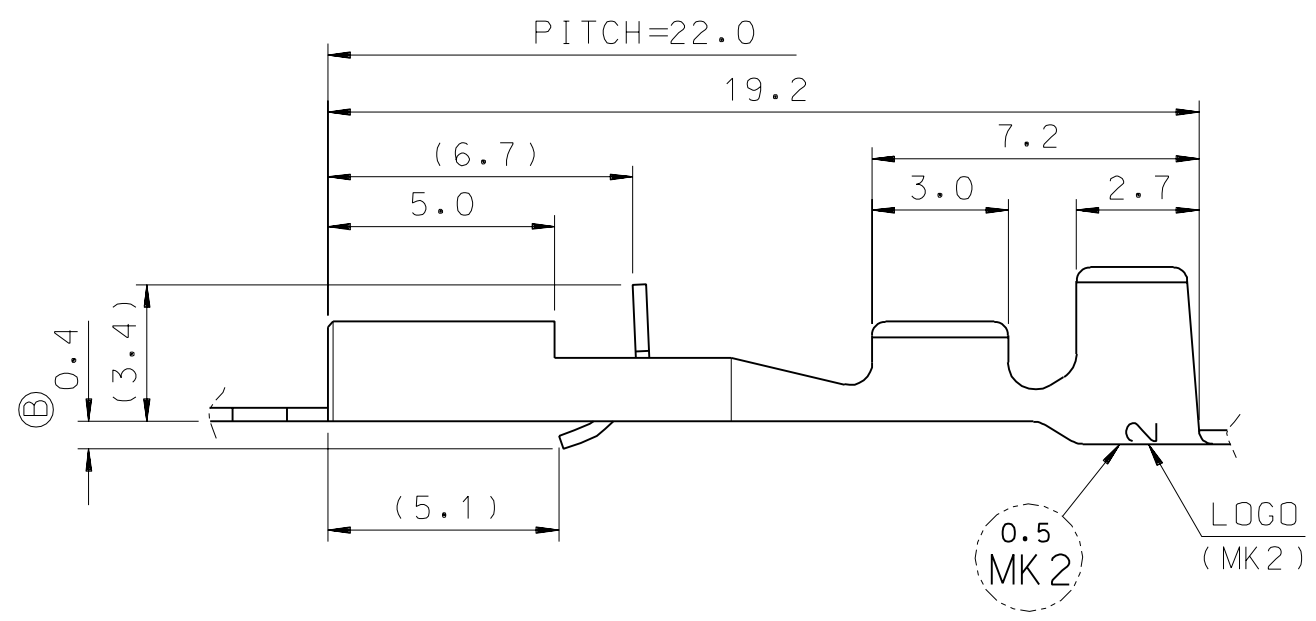
C

B

DO NOT SCALE DRAWING
DIMENSION IN METRIC



- NOTES
1. MATERIAL : BRASS, 0.3mm THICKNESS
 2. FINISH : PRE-PLATED TIN
 3. MATING TAB THICKNESS : 0.5mm
 4. RECOMMENDED LENGTH OF WIRE STRIP IS 4.4-5.0mm.
 5. APPLICABLE WIRE : AWG #22-#20
INSULATION DIA. : ϕ 1.5-2.7mm



REVISED	EC NO. KDR1998-0101 DRWN: J.S.KANG 98/08/24 CHK: B.K.CHOI APPR: C.W.LEE	DESCRIPTION	QUALITY SYMBOLS MAJOR \blacktriangledown = CRITICAL \triangle =	GENERAL TOLERANCES: (UNLESS SPECIFIED)		SCALE 6/1	DESIGN UNITS <input checked="" type="checkbox"/> mm <input type="checkbox"/> INCH	THIRD ANGLE PROJECTION	DIMENSIONS: <input type="checkbox"/> mm <input type="checkbox"/> INCH <input checked="" type="checkbox"/> mm ONLY		SHT	REV	
				4 PLACES $\pm 0.$	$\pm .$	DRAWN BY & DATE J.S.KANG 97/04/14	TITLE: .187 MP-LOCK TM'L(S) (0.5+ TAB FIT)			REVISE ON CAD ONLY			
C	REV			3 PLACES $\pm 0.$	$\pm .$	CHECKED BY & DATE B.K.CHOI	MOLEX INCORPORATED KOREA						
				2 PLACES ± 0.2	$\pm .$	APPROVED BY & DATE C.W.LEE	MATERIAL NO. 35068-9702	DRAWING NO. SD-35068-9702	SHEET NO. 1 of 1	SIZE B			
				1 PLACE ± 0.3	$\pm .$	CAD FILENAME s35068e.dgn	THIS DRAWING CONTAINS INFORMATION THAT IS PROPRIETARY TO MOLEX INCORPORATED AND SHOULD NOT BE USED WITHOUT WRITTEN PERMISSION.						
				ANGULAR: $\pm 1^\circ$				DRAFT WHERE APPLICABLE MUST REMAIN WITHIN DIMENSIONS					