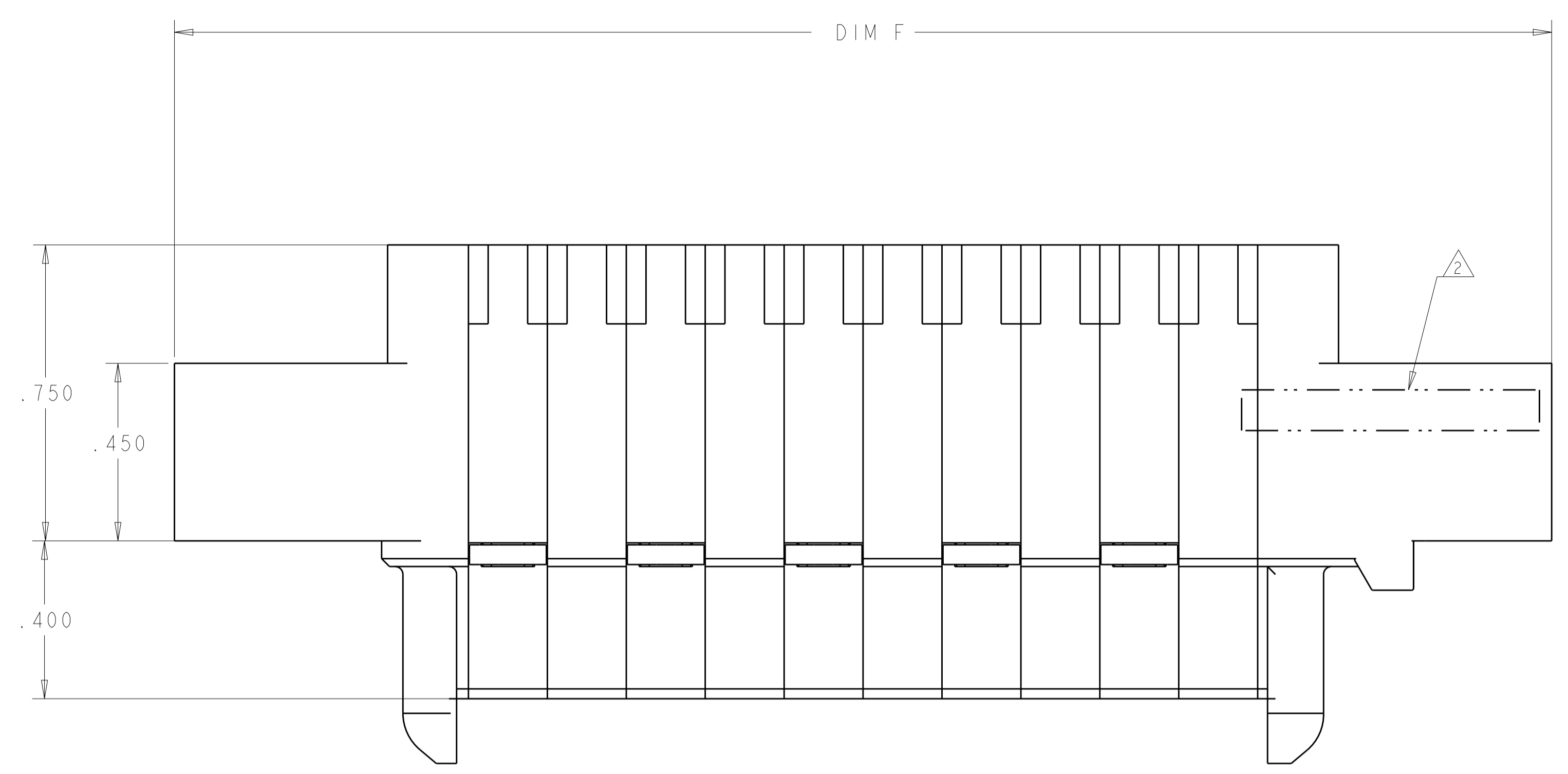
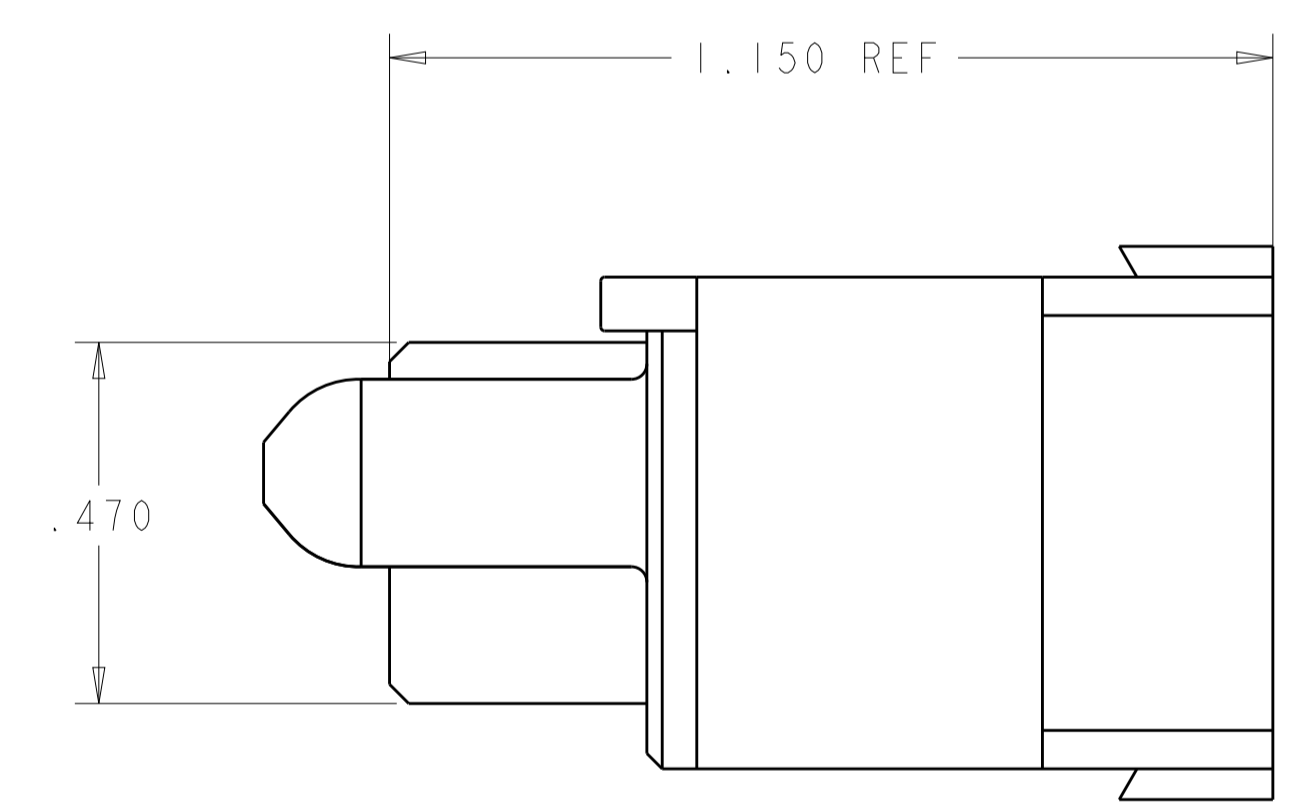
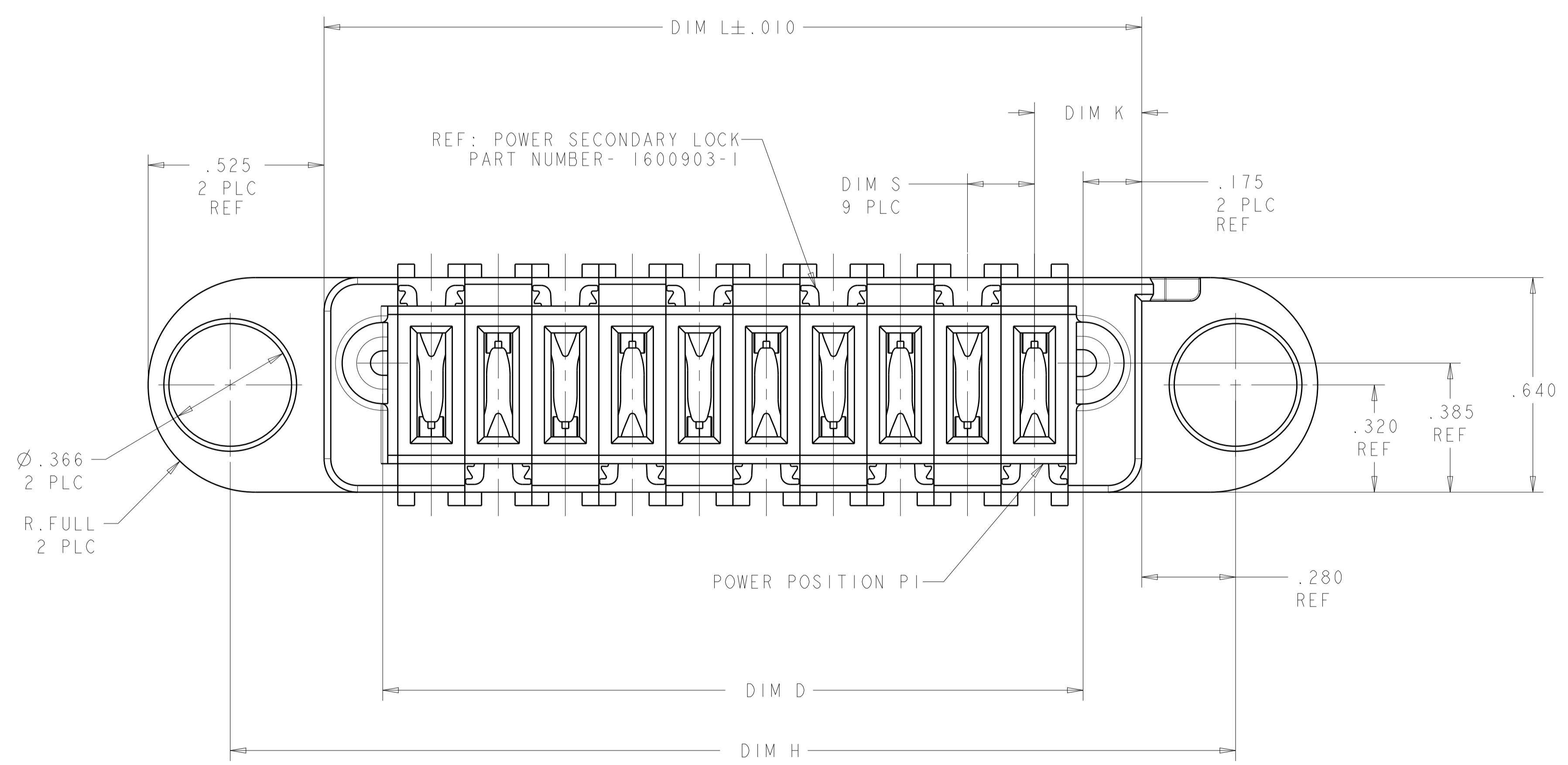


LOC	DIST	REVISIONS					
		P	LTN	DESCRIPTION	DATE	DWN	APVD
ES	00	B		ADD NEW DASH NUMBER -8	14NOV2014	CZ	SZ



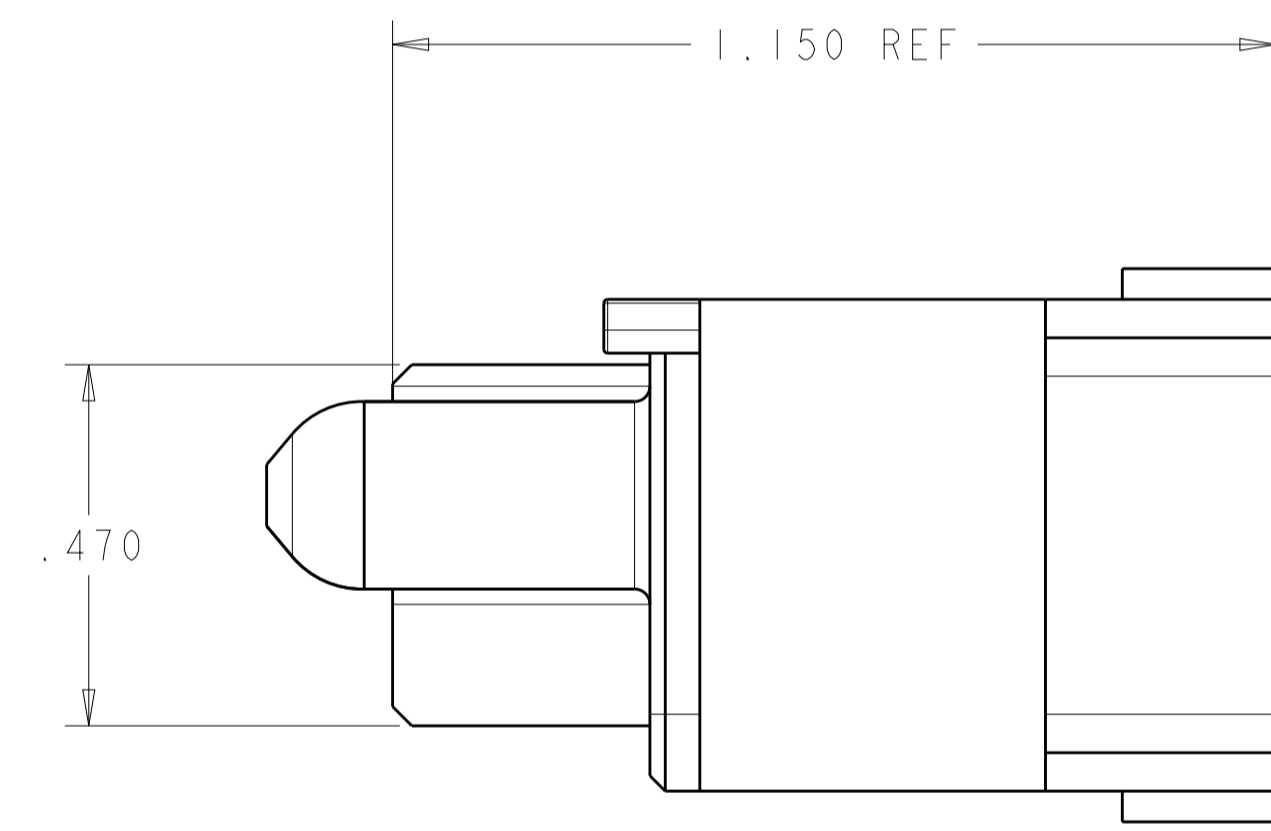
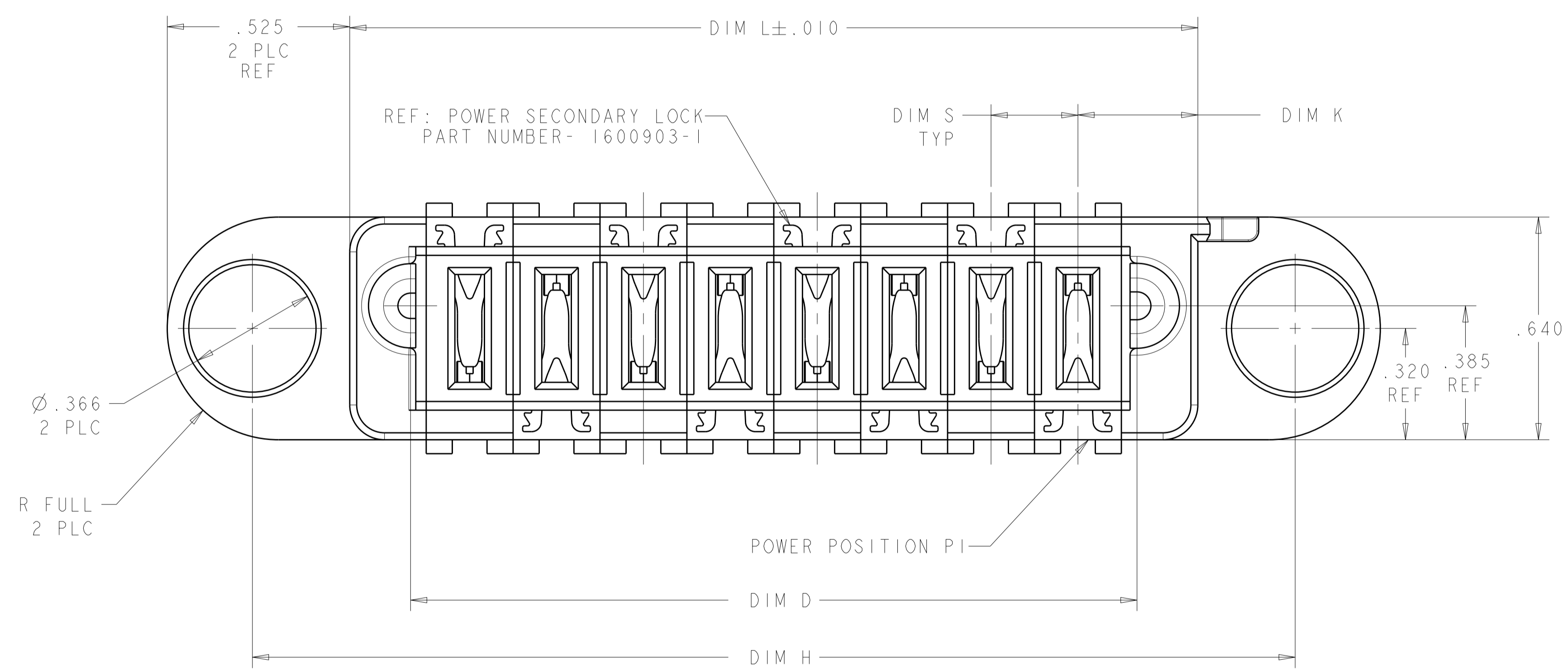
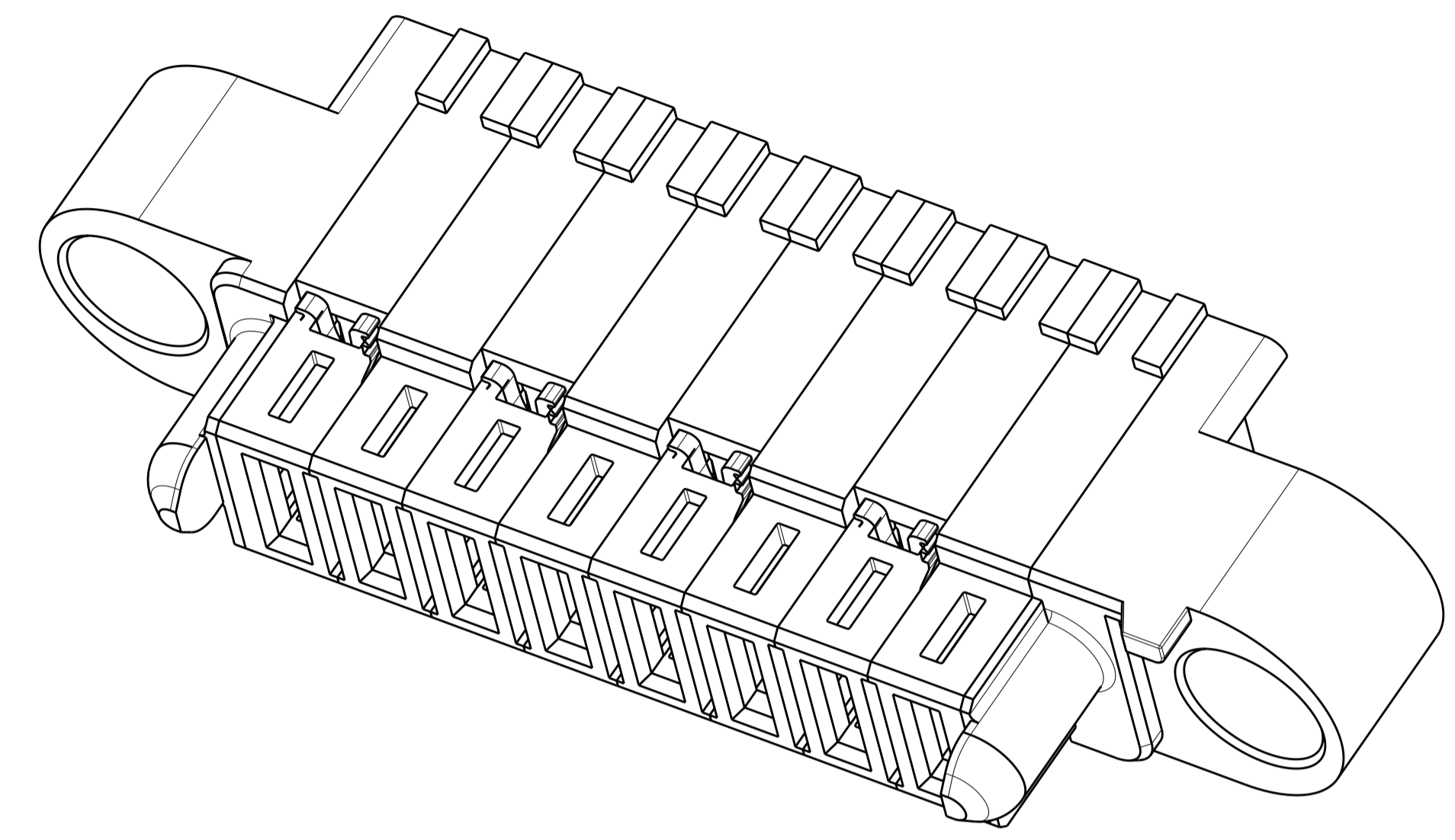
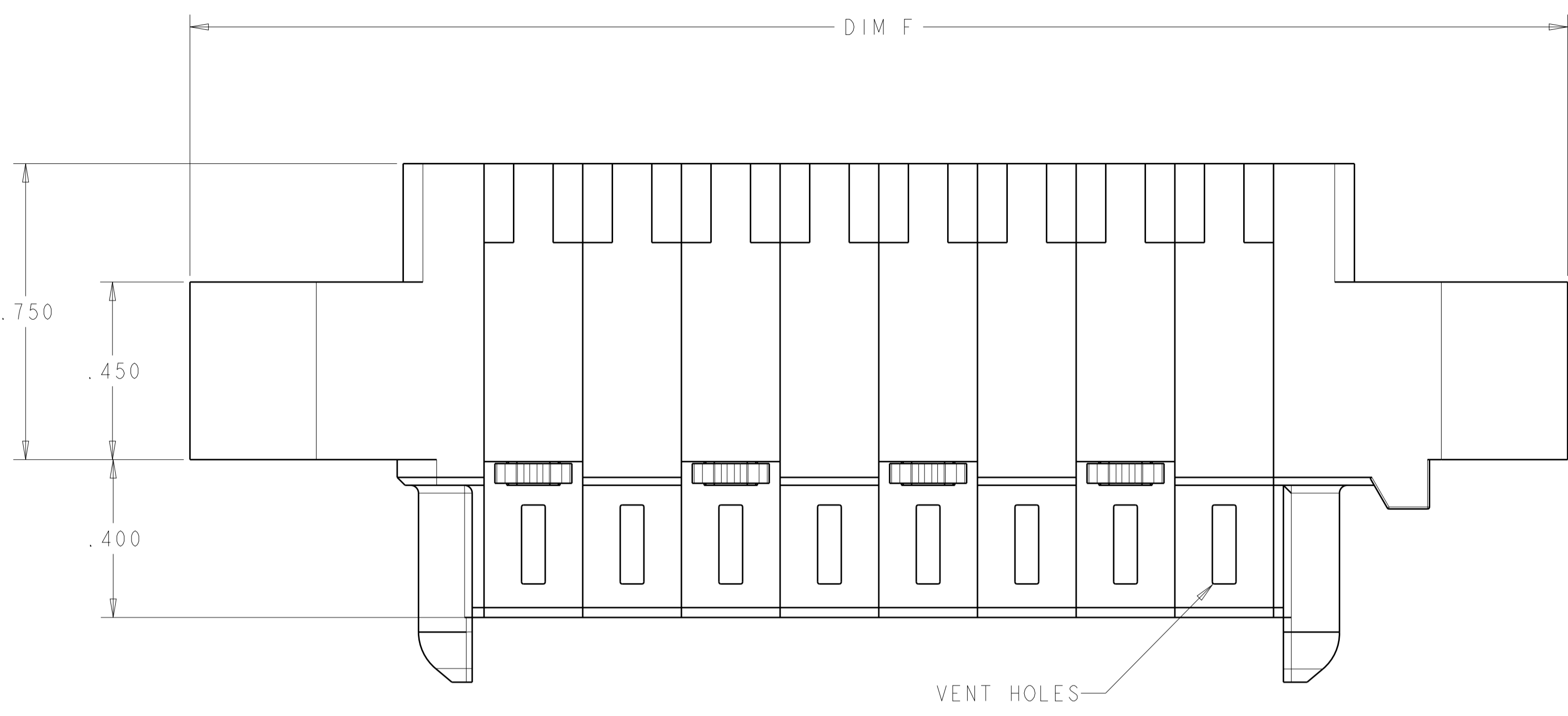
- △ OPTIONAL CENTER MODULE.
- △ COMPANY TRADEMARK, PART NUMBER, AND DATE CODE TO BE MARKED IN AREA SHOWN PARTS UNDER 2.00 LONG MAY BE MARKED ON BOTH SIDES.
- △ MATERIAL: THERMO PLASTIC, UL94 V-0.
- △ DATUM LOCATIONS AND BASIC DIMENSIONS TO BE ESTABLISHED BY THE CUSTOMER.
- △ BULKHEAD THICKNESS RANGE: .031 - .100
- △ CONNECTOR MATED TO PANEL FROM OPPOSITE SIDE.
- △ NO BURRS ALLOWED ON OPPOSITE (MATING) SIDE.
- △ CONNECTOR KEEP OUT ZONE. (A5)
- △ MOUNT CONNECTOR WITH TYCO HARDWARE KIT (1600914-7) FOR .050 [1.27mm] MIN RADIAL FLOAT.
- △ FOR THE CONFIGURATION WITH VENT, PLEASE REFER TO SHEET 2
- △ FOR VARIABLE DIMENSIONS, PLEASE SEE PART TABLE



10P	1892901-1
DESCRIPTION	PART NUMBER

THIS DRAWING IS A CONTROLLED DOCUMENT.		DWN C. ZHOU 27JUL2009	TE Connectivity														
DIMENSIONS: INCHES		CHK S. ZHAO 27JUL2009															
TOLERANCES UNLESS OTHERWISE SPECIFIED:		APVD S. ZHAO	NAME PANEL MOUNT CABLE RECEPTACLE HOUSING WITH SLIM GUIDES MULTI-BEAM XLE														
<table border="1"> <tr><td>0 PLC</td><td>±</td></tr> <tr><td>1 PLC</td><td>±.01</td></tr> <tr><td>2 PLC</td><td>±.005</td></tr> <tr><td>3 PLC</td><td>±.002</td></tr> <tr><td>4 PLC</td><td>±.002</td></tr> <tr><td>ANGLES</td><td>±.020</td></tr> <tr><td>FINISH</td><td></td></tr> </table>		0 PLC	±	1 PLC	±.01	2 PLC	±.005	3 PLC	±.002	4 PLC	±.002	ANGLES	±.020	FINISH		PRODUCT SPEC 108-2175	RESTRICTED TO
0 PLC	±																
1 PLC	±.01																
2 PLC	±.005																
3 PLC	±.002																
4 PLC	±.002																
ANGLES	±.020																
FINISH																	
MATERIAL: 3		APPLICATION SPEC 114-13112	SIZE A100779														
Customer Drawing		WEIGHT	SCALE 4:1 SHEET 1 OF 4 REV B1														

LOC	DIST	REVISIONS			
P	LTN	DESCRIPTION	DATE	DMN	APVD
-	-	SEE SHEET 1	-	-	-



△ FOR THE CONFIGURATION WITH VENT HOLES

3.650	2.740	△	.345	3.090	4.140	11P	1892901-8	△
2.950	2.040	.425	.345	2.390	3.440	5P	1892901-7	△
1.850	.940	.300	.345	1.290	2.340	3ACP	1892901-6	△
3.550	2.640	.375	.370	2.990	4.040	7ACP	1892901-5	△
2.375	1.465	.375	.345	1.815	2.865	4P	1892901-4	△
1.850	.940	.300	.345	1.290	2.340	3ACP	1892901-3	△
3.000	2.090	.250	.345	2.440	3.490	8P	1892901-2	△
3.000	2.090	.200	.320	2.440	3.490	10P	1892901-1	△
DIM H	DIM D	DIM S	DIM K	DIM L	DIM F	DESCRIPTION	PART NUMBER	

THIS DRAWING IS A CONTROLLED DOCUMENT.

DMN: C. ZHOU 27JUL2009
CHK: S. ZHAO 27JUL2009
APVD: S. ZHAO

TE Connectivity

NAME: PANEL MOUNT CABLE RECEPTACLE HOUSING WITH SLIM GUIDES MULTI-BEAM XLE

PRODUCT SPEC: 108-2175
APPLICATION SPEC: 114-13112

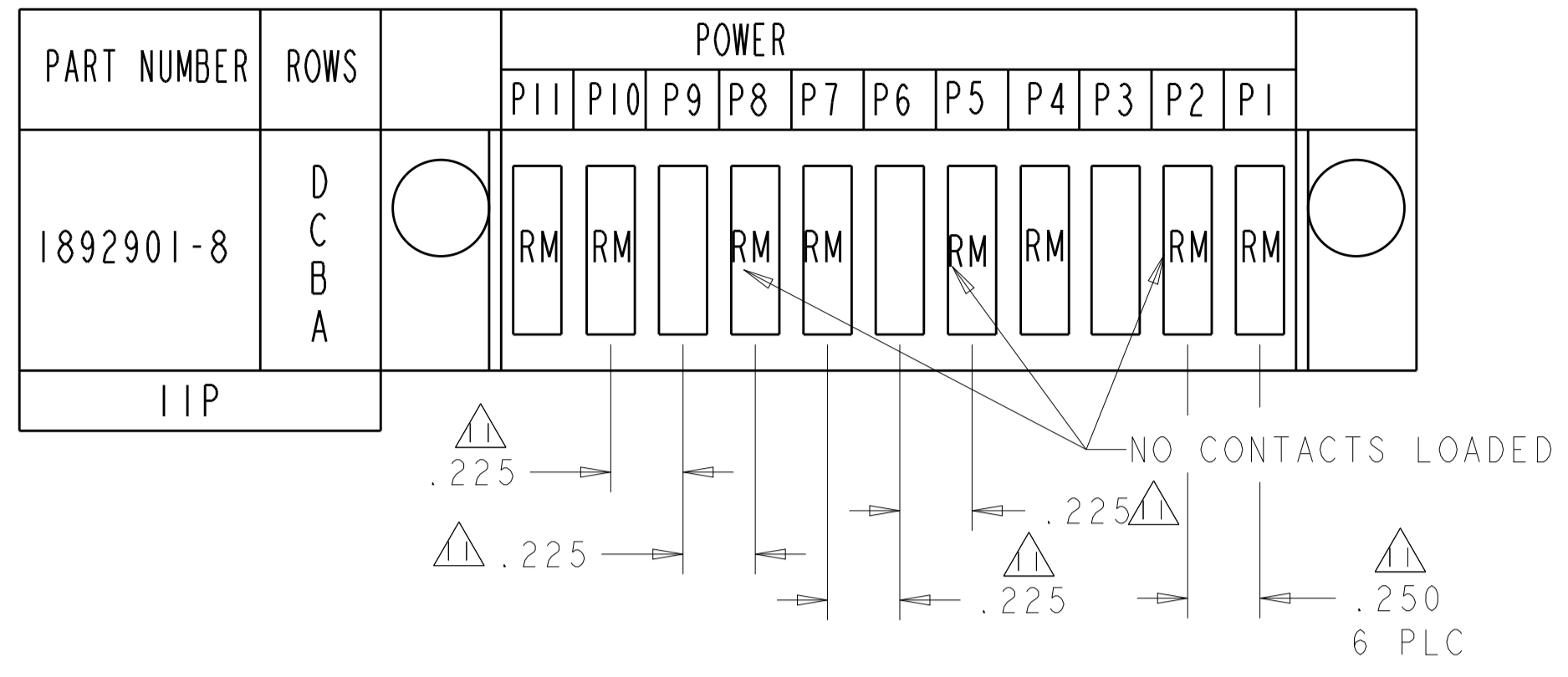
SIZE: A1
CAGE CODE: 100779
DRAWING NO: 1892901

RESTRICTED TO: -

Customer Drawing

SCALE: 4:1
SHEET: 2 OF 4
REV: B1

LOC		DIST		REVISIONS			
P	LTN	DESCRIPTION	DATE	DWN	APVD		
-	-	SEE SHEET 1	-	-	-		



THIS DRAWING IS A CONTROLLED DOCUMENT.

DWN	C. ZHOU	27JUL2009	TE Connectivity
CHK	S. ZHAO	27JUL2009	
APVD	S. ZHAO	-	NAME
DIMENSIONS: INCHES TOLERANCES UNLESS OTHERWISE SPECIFIED: 0 PLC ±. 1 PLC ±.01 2 PLC ±.01 3 PLC ±.005 4 PLC ±.0020 ANGLES ±.7° FINISH			PRODUCT SPEC 108-2175 APPLICATION SPEC 114-13112 WEIGHT Customer Drawing
MATERIAL FINISH			SIZE CAGE CODE DRAWING NO A100779C=1892901 RESTRICTED TO REV B
SCALE 4:1 SHEET 4 OF 4			REV B