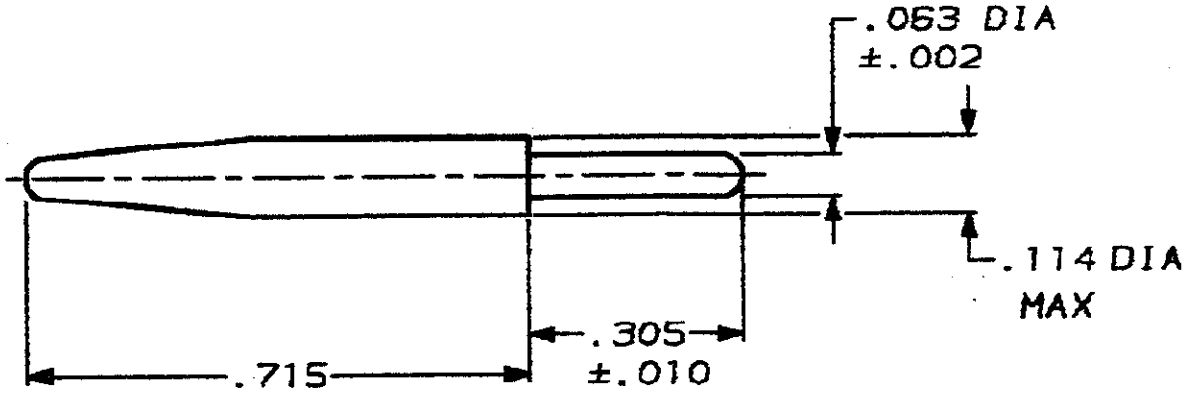


DRAWINGS MADE IN THIRD ANGLE PROJECTION

MOD	LOC	DIST	REVISIONS					
30	BD	39	P	F	LTR	DESCRIPTION	DATE	APPROVED
			✓		B	REDRAWN	7/26/90	<i>KJ</i>

THIS DRAWING IS UNPUBLISHED. RELEASED FOR PUBLICATION BY AMP INCORPORATED. ALL INTERNATIONAL RIGHTS RESERVED. © COPYRIGHT 19



208338-1  
PART NO

DO NOT SCALE PRINT.  
DIMENSIONS IN MM  
TOLERANCES ON:  
DIM P/LC DEC \* -  
DIM P/LC DEC ± .015  
ANGLES \* -

MATERIAL  
COLOR: TEFLON  
NATURAL

FINISH  
-

DR 7/26/90  
A. STAUD DS

CHK *O. Muller* 1-2-91  
APPD *K. Beaver* 1-18-91  
APPD *J. Fulmer* 1/25/91

PRODUCT SPEC  
-

APPLICATION SPEC  
-

WEIGHT -

**AMP** AMP INCORPORATED  
Harrisburg, Pa. 17105

NAME  
SEAL PROTECTOR, SOCKET, ECONOSEAL

SIZE <b>A</b>	FSCN NO 00779	DRAWING NO 208338
SCALE 4:1	SHEET 1 OF 1	