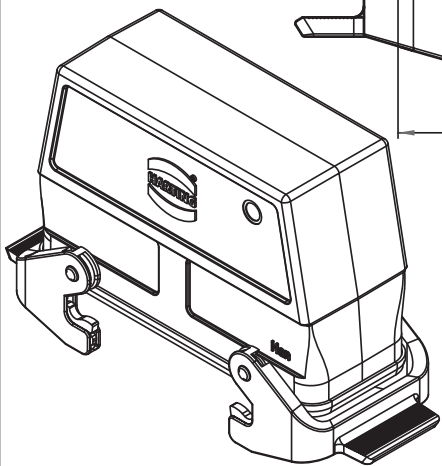
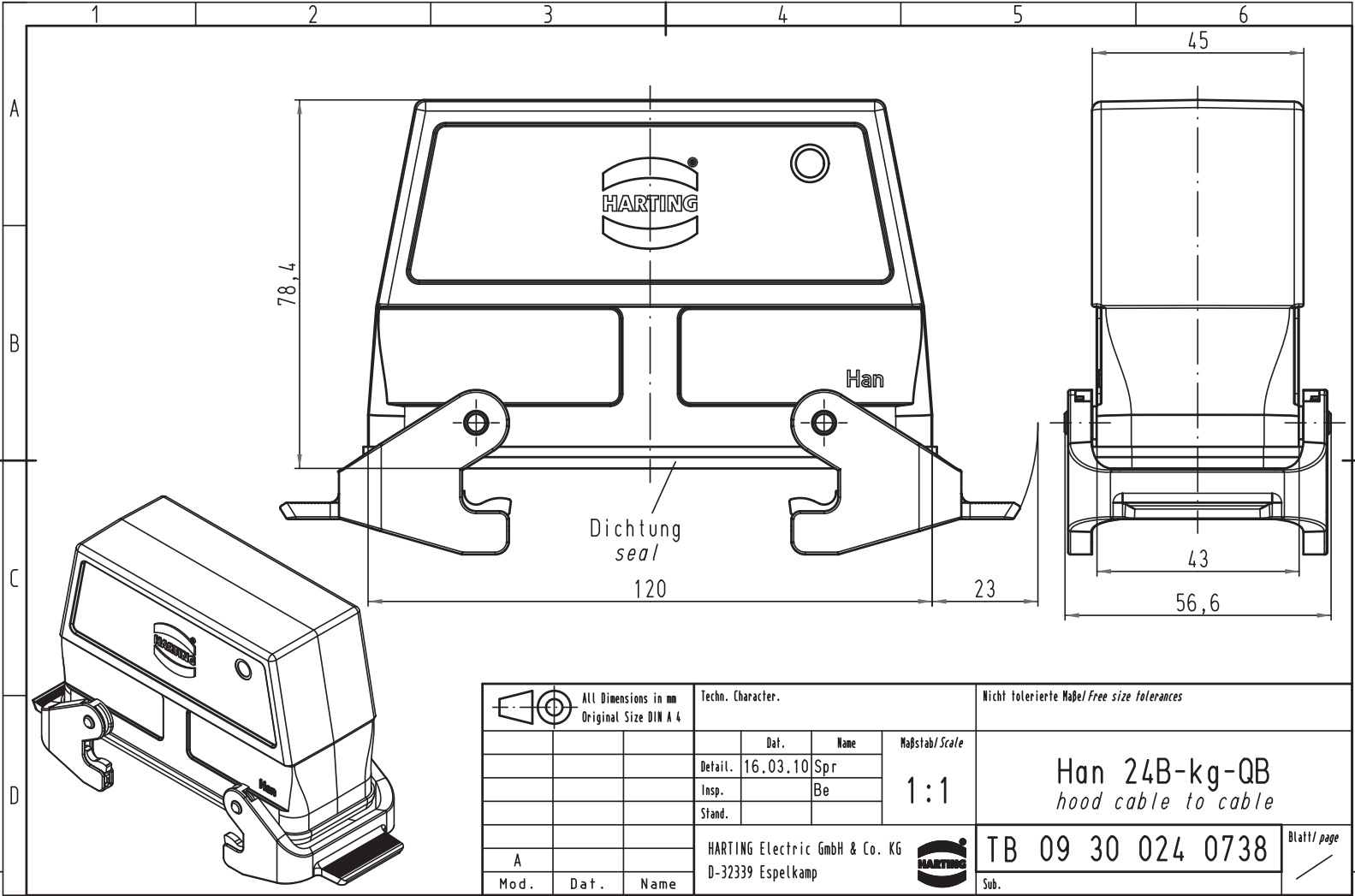


Alle Rechte vorbehalten/ All rights reserved



| | | | | | | | |
|---|------|-------------------|---|----------|---|--|-------------|
| All Dimensions in mm Original Size DIN A 4 | | Techn. Character. | | | Nicht tolerierte Maß/Free size tolerances | | |
| | | | Dat. | Name | Maßstab/Scale | Han 24B-kg-QB <i>hood cable to cable</i> | |
| | | | Detail. | 16.03.10 | | | Spr |
| | | | Insp. | | | | Be |
| | | | Stand. | | | | |
| | | | HARTING Electric GmbH & Co. KG D-32339 Espelkamp | | | TB 09 30 024 0738 Sub. | |
| A | | | | | | | Blatt/ page |
| Mod. | Dat. | Name | | | | | |