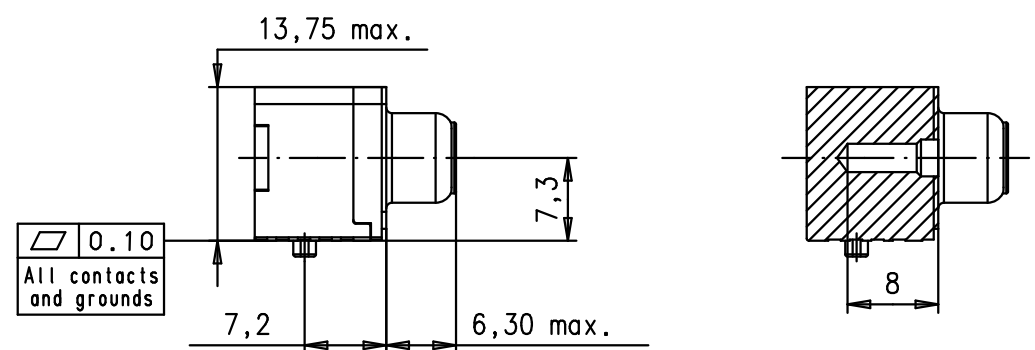
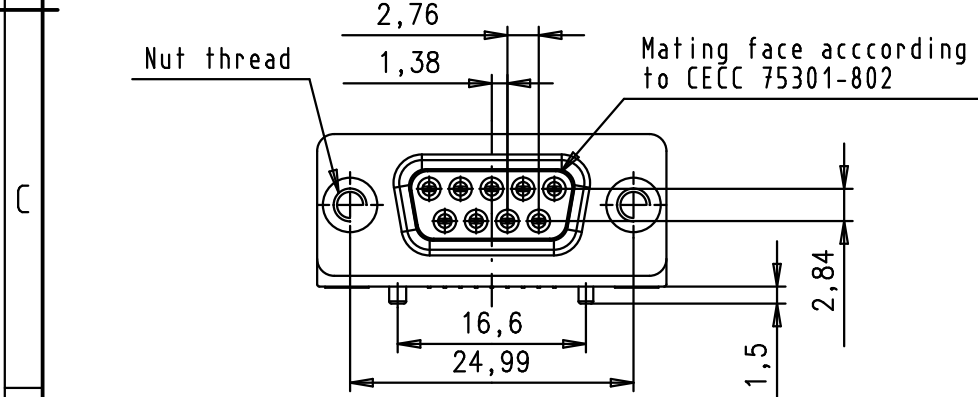
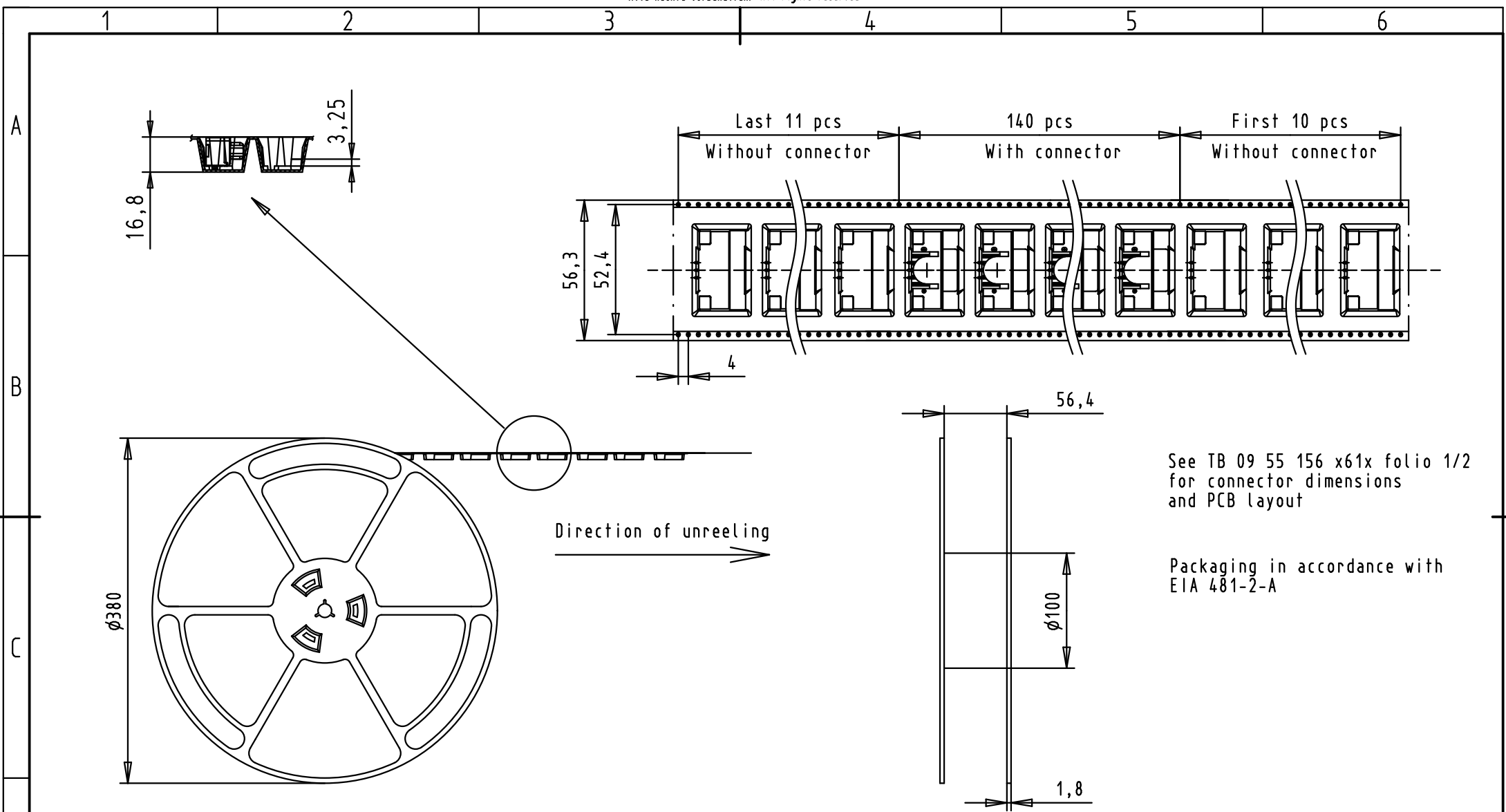


PCB Layout, component side (thickness 1.6 mm min.)





Max. Temperature : 260° during 10 seconds

| | | | | | | | | | | | | | | |
|---|-----------------|----|----------|-------------------|--|---------|-----------|----|-------------------------------|-----------|--|--|--------------------------------|----|
| D | 09551563612.741 | 1 | 4-40 UNC | Black Insulator | Reel Packaging (140 connectors) see page 2/2 | EC02316 | 30Aug2010 | ED | | | <p>All Dim. in mm Orig. Size DIN A 4</p> | D-SUB SMT Standard Female 9p with die casted grounds and nuts | Maßstab/ Scale 1,5:1 | |
| | 09551566612.741 | 2 | | | | EC01754 | 30Apr2010 | ED | Detail. | 30Jun2006 | | | | ED |
| | 09551567612.741 | 3 | | | | EC01199 | 11Jan2010 | ED | Insp. | | | | | |
| | 09551563611.741 | 1 | | | | 34398 | 22Aug2007 | ED | Stand. | | | | | |
| | 09551566611.741 | 2 | | | | 33929 | 25Jan2007 | ED | HARTING EURL F-95972 Paris | | | | | |
| | 09551567611.741 | 3 | | | | 33785 | 30Jun2006 | ED | | | | | | |
| | Part number | PL | Thread | Index designation | Mod. | Dot. | Name | | | | TB 09 55 156 x61x Sub. | Blatt/ Page 1 / 2 | | |



See TB 09 55 156 x61x folio 1/2
for connector dimensions
and PCB layout

Packaging in accordance with
EIA 481-2-A

| | | | | | | | | | | | | | | |
|---|-----------------|----|----------|-------------------|---------------------------------|---------|-----------|---|-------------------------------|-----------|---|--|-------------------|----|
| D | 09551563612.741 | 1 | 4-40 UNC | Black Insulator | Reel Packaging (140 connectors) | EC02316 | 30Aug2010 | ED | Dot. | Name |  All Dim. in mm Orig. Size DIN A 4 | D-SUB SMT Standard Female 9p with die casted grounds and nuts | Maßstab/ Scale | |
| | 09551566612.741 | 2 | | | | EC01199 | 11Jan2010 | ED | Detail. | 17Jul2006 | | | | ED |
| | 09551567612.741 | 3 | | | | EC01118 | 26Nov2009 | LP | Insp. | | | | | |
| | 09551563611.741 | 1 | M3 | | | 34398 | 22Aug2007 | ED | Stand. | | | | | |
| | 09551566611.741 | 2 | | | | 33975 | 02Apr2007 | ED | HARTING EURL F-95972 Paris | | | | | |
| | 09551567611.741 | 3 | | | | 33929 | 25Jan2007 | ED | | | | | | |
| | Part number | PL | Thread | Index designation | Mod. | Dot. | Name |  | | | TB 09 55 156 x61x Sub. | Blatt/ Page 2 / 2 | | |