

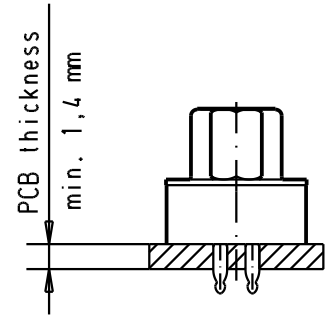
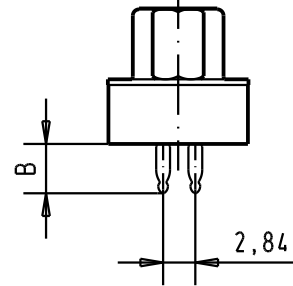
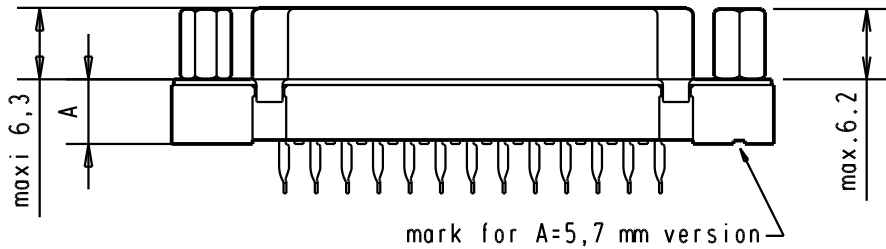
5

4

3

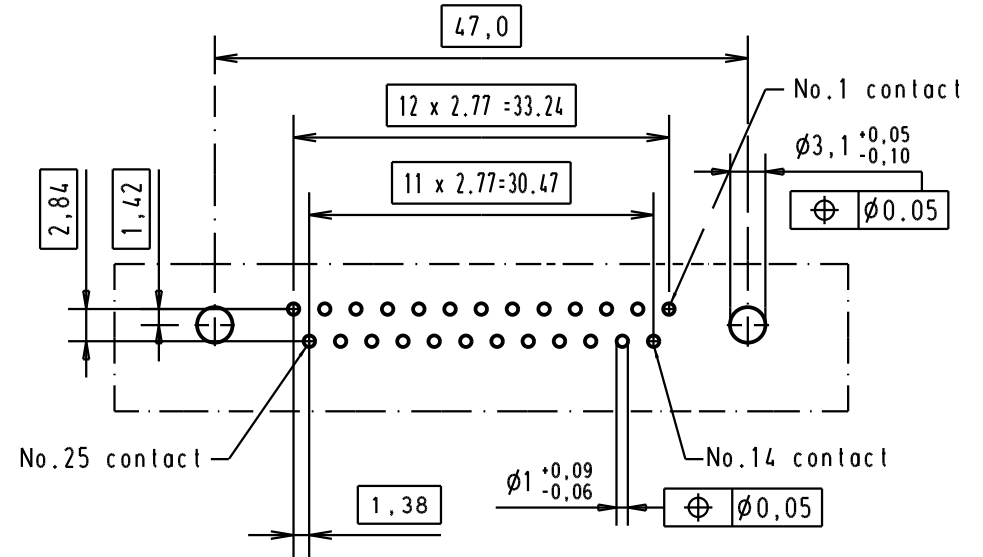
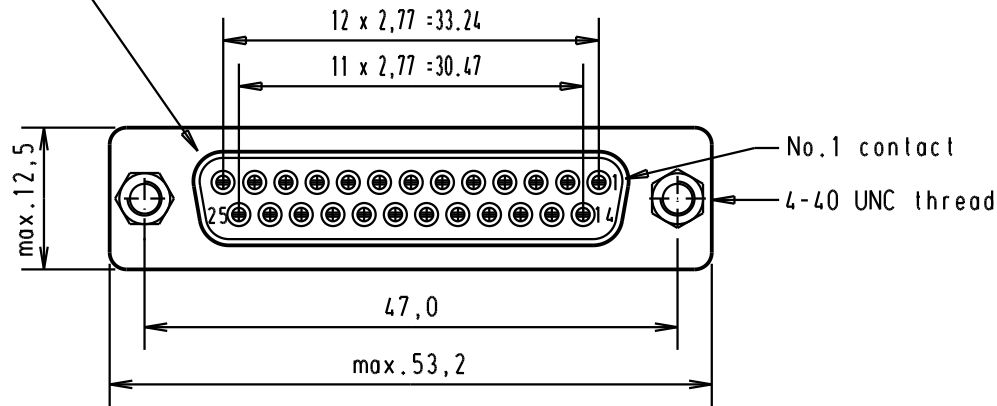
2

1

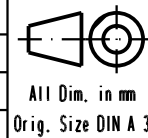


PCB layout hole component side  
( PCB holes plating : Tin )

Mating face according to : MIL-C-24308 / DIN 41652 / CECC 75301-802



09663147503	3	6	4.20									
09663146503	2	6	4.20									
09663145503	0.76 $\mu\text{m Au}$	6	4.20	32128	08/07/04	T.R.	Detail.	30/06/95	jfb			
09663147507	3	5.7	4.35	29731	06/11/01	S.H.	Insp.					
09663146507	2	5.7	4.35	27980	05/03/01	jfb	Stand.					
09663145507	0.76 $\mu\text{m Au}$	5.7	4.35	16236	30/06/95	jfb	HARTING EURL F-95972 Paris					
Part number	Performance level	A $\pm$ 0.2	B $\pm$ 0.2	Mod.	Dat.	Name						



D-Sub 25 poles straight female connector with press-in termination, version nut and screw lock.

Maßstab/  
Scale  
2,5:1



TB 0966314x50x

Blatt/ Page  
4/4

Sub.