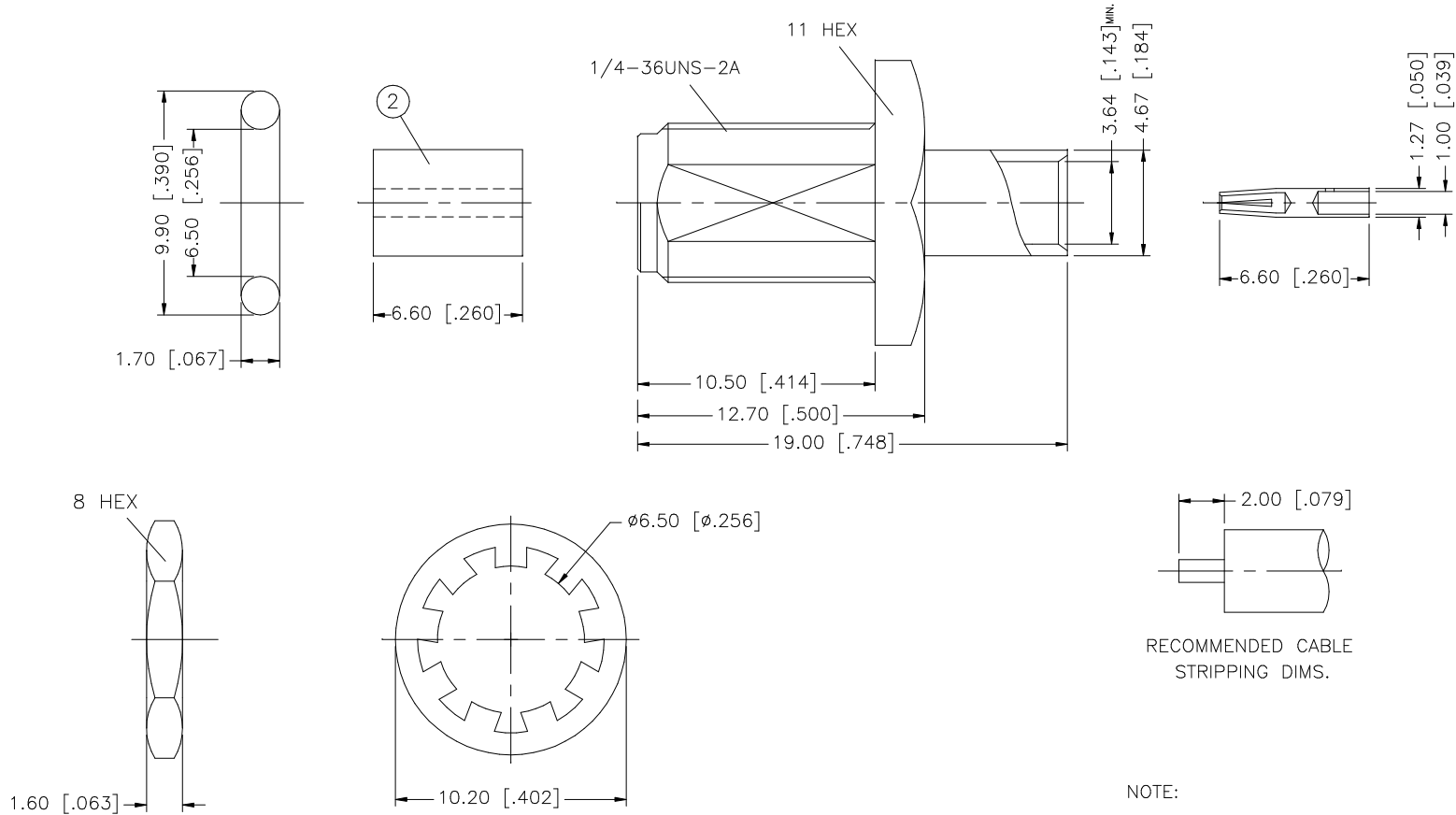


REV.	DATE	DESCRIPTION
B	01/12/98	ADD INSULATOR/ STRIPPING DIM'S
C	02/11/99	MODIFY 'O'-RING DIMENSIONS
D	05/22/03	UPDATE DRAWING FORMAT



RECOMMENDED CABLE STRIPPING DIMS.

NOTE:

- CONTACT PIN TO SOLDER
- MAX. PANEL THICKNESS = 2.4mm

DESCRIPTION	MATERIAL	FINISH	QTY	DO NOT SCALE DRAWING	CAD FILE	DWG. NO.	REV.	SIZE	SCALE
8									
7									
6	FERRULE	BRASS	GOLD	1					
5	LOCK WASHER	BRASS	GOLD	1					
4	GASKET	SILICONE	RED	1					
3	CONTACT PIN	BER. COPPER	GOLD	1					
2	INSULATOR	TEFLON	NATURAL	1					
1	BODY	BRASS	GOLD	1					
UNLESS OTHERWISE SPECIFIED DIMENSIONS ARE IN MILLIMETERS. DIMENSIONS IN [] ARE IN INCHES AND FOR CUSTOMER REFERENCE ONLY. UNLESS OTHERWISE SPECIFIED TOLERANCES FOR MILLIMETERS ARE: 0.5 - 8mm ± 0.20mm 8 - 30mm ± 0.40mm 30 - 120mm ± 0.50mm UNLESS OTHERWISE SPECIFIED TOLERANCES FOR INCHES ARE: .020 - .315 = ± 0.007" .315 - 1.180 = ± 0.015" 1.180 - 4.724 = ± 0.020"					APPROVALS DRAWN G.R.S. CHECKED ISSUED SHEET 1 OF 1	DATE 05/22/03	Amphenol Connex PART DESCRIPTION SMA DIRECT SOLDER BULKHEAD JACK (FOR .141" SEMI-RIGID CABLE) PART NO. 132106		
					C:/132/132106.DWG	132106.DWG	D	A	NA