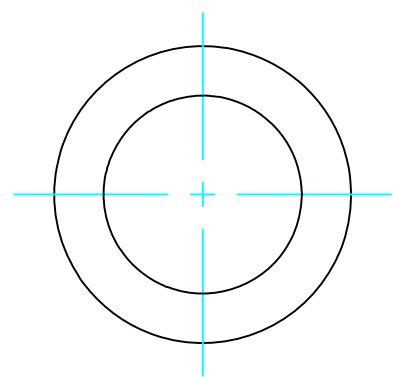


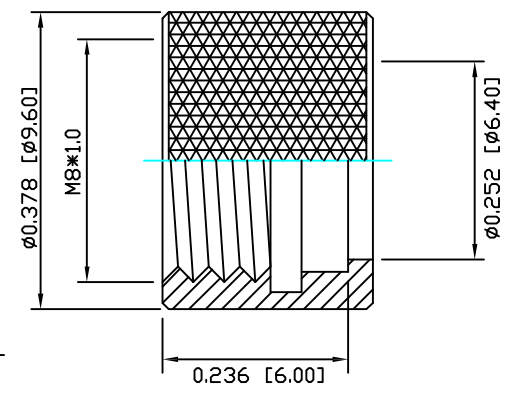
DESCRIPTION: M8 FEMALE - CABLE MOUNT - SOLDER CUP - 4 POS.

NOTE:

MATERIAL
 HOUSING: PBT UL94V-0, BLACK
 CONTACT: PHOSPHOR BRONZE
 SHELL: BRASS
 NUT: BRASS
 O-RING: NBR, BLACK
 FINISH:
 CONTACT: GOLD PLATED
 OVER 50 μ NICKEL
 GROUND: BRIGHT TIN 60 μ
 SHELL: NICKEL PLATED
 ELECTRICAL
 RATED CURRENT: 5A
 RATED VOLTAGE: 125V
 INSULATION RESISTANCE: 1000 M Ω hms MIN.
 CONTACT RESISTANCE: 10 m Ω hms MAX.
 WATER PROOF: IP67
 ENVIRONMENT
 OPERATION TEMPERATURE: -40°C TO +85°C
 WIRE GAUGE: 24-28 AWG
 MAX MATING TORQUE: 4-5 in lbs

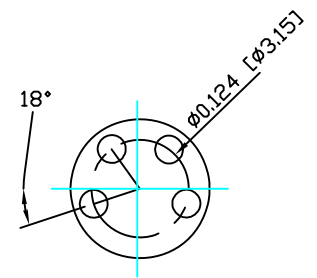
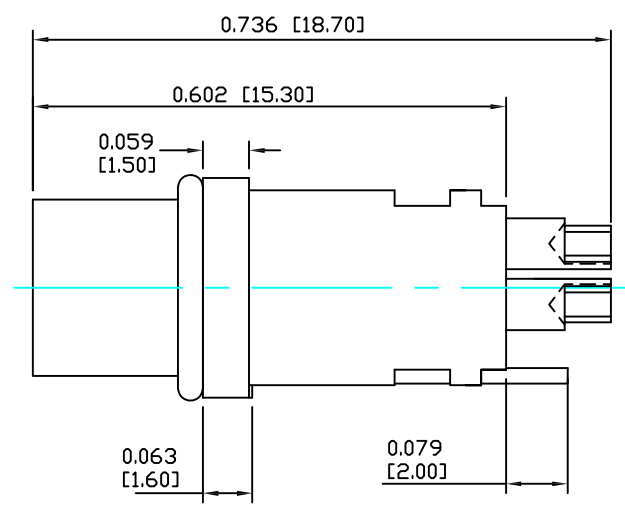
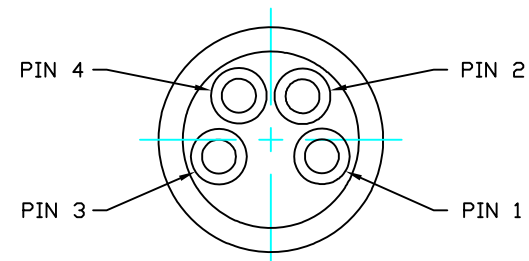


NUT



854-004-203RLSY

1 = GOLD FLASH
 4 = 10 μ GOLD



RoHS COMPLIANT

DO NOT SCALE FROM DRAWING



THESE DRAWINGS AND SPECIFICATIONS ARE THE PROPERTY OF NorComp AND SHALL NOT BE REPRODUCED, COPIED OR USED AS THE BASIS FOR THE MANUFACTURE OR SALE OF APPARATUS WITHOUT WRITTEN PERMISSION.

DRAWN: M. SIGMON	DATE: 03-04-16
CHECKED:	DATE:

NorComp

SCALE: N.T.S.	SHEET 1	OF 1	REV 3
DWG NO. 854-004-203RLSY			