

No OF POSITIONS
-05, -10, -15, -20, -25, -30

STYLE
**S: SINGLE ENDED
-D: DOUBLE ENDED
-R: REVERSE STIFFENER

STRIP LENGTH
-2: .079 [2.00]
* -4: .157 [4.00]
-6: .236 [6.00]

LENGTH
-XX.XX: "XX" INCHES ±.125 [3.18]
(-S STYLE 2.500 [63.50] MIN)
(-D & -R STYLE 2.000 [50.80] MIN)

* = RECOMMENDED MATING WITH FC1
** = AS OF 1/1/11, -S (SINGLE ENDED) ONLY AVAILABLE TO EXISTING CUSTOMERS, ALL OTHERS WILL BE ASP'S.

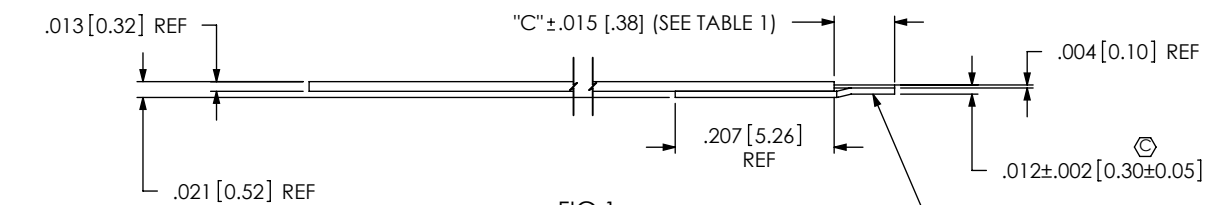


FIG 1
HAND BUILT
-S: SINGLE ENDED
(FJ-10-S-XX-2 SHOWN)

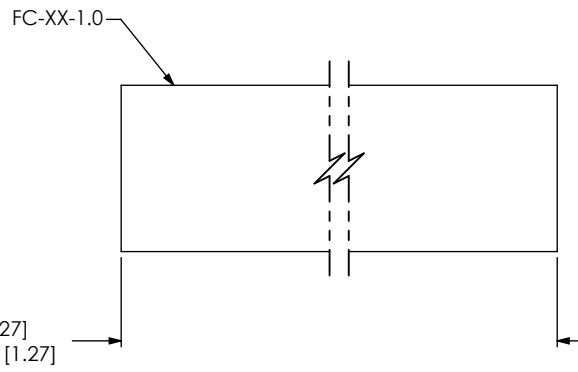
CRITICAL DIMENSION INSPECTION INSTRUCTION TABLE	
ASSEMBLY OPERATION	IN-PROCESS INSPECTION
ASSEMBLY STIFFENER	C4, C5
STRIP CABLE	C3
TRIM STIFFENER	C1, C2, C6

TABLE 1	
STRIP LENGTH	"C"
-2	.079 [2.00]
-4	.157 [4.00]
-6	.236 [6.00]

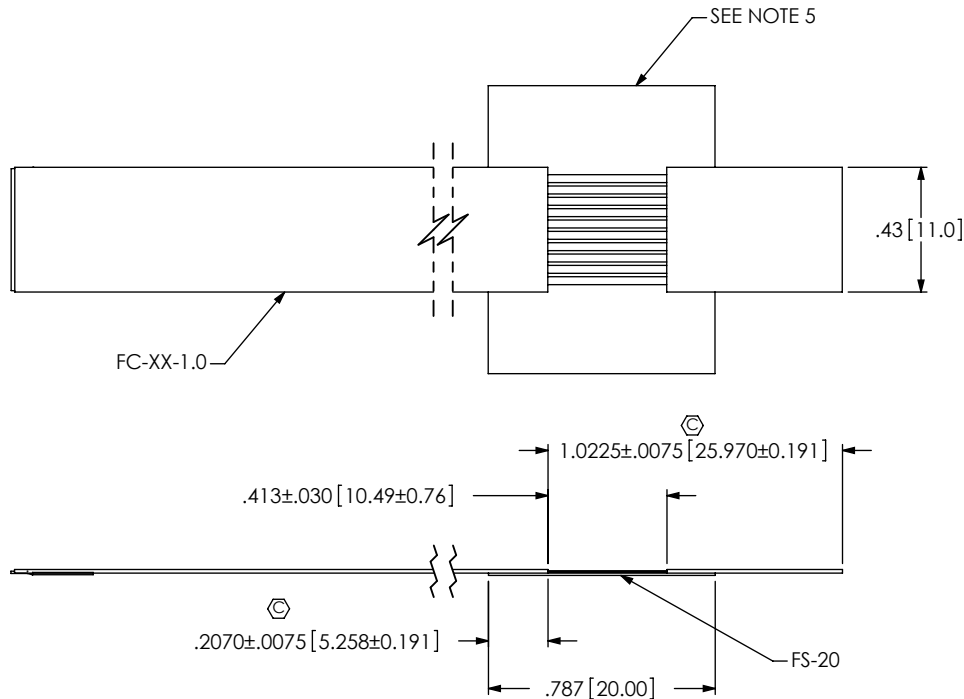
NOTES:

1. $\text{\textcircled{C}}$ REPRESENTS A CRITICAL DIMENSION.
2. MEASURE WHERE STIFFENER AND CABLE ARE ATTACHED.
3. MEASURED ALONG LENGTH OF CABLE, EXCEPT WHERE STIFFENER IS ATTACHED TO CABLE.
4. NOTE DELETED.
5. STIFFENER IS TRIMMED TO CORRECT WIDTH.
6. NOTE DELETED.
7. DIMENSION TO BE MEASURED IN ALL 4 CORNERS.

<p>UNLESS OTHERWISE SPECIFIED, DIMENSIONS ARE IN INCHES. TOLERANCES ARE:</p> <p>DECIMALS ANGLES</p> <p>.XX: ±.01 [.25] 2°</p> <p>.XXX: ±.005 [.13]</p> <p>.XXXX: ±.0020 [.050]</p>	<p>PROPRIETARY NOTE</p> <p>THIS DOCUMENT CONTAINS CONFIDENTIAL AND PROPRIETARY INFORMATION AND ALL DESIGN, MANUFACTURING, REPRODUCTION, USE, PATENT RIGHTS AND SALES RIGHTS ARE EXPRESSLY RESERVED BY SAMTEC, INC. THIS DOCUMENT SHALL NOT BE DISCLOSED, IN WHOLE OR PART, TO ANY UNAUTHORIZED PERSON OR ENTITY NOR REPRODUCED, TRANSFERRED OR INCORPORATED IN ANY OTHER PROJECT IN ANY MANNER WITHOUT THE EXPRESS WRITTEN CONSENT OF SAMTEC, INC.</p>		
		<p>520 PARK EAST BLVD, NEW ALBANY, IN 47150 PHONE: 812-944-6733 FAX: 812-948-5047 e-Mail: info@SAMTEC.com code: 55322</p>	
<p>DO NOT SCALE DRAWING SHEET SCALE: 4:1</p> <p>MATERIAL: CONDUCTORS: TIN PLATED COPPER SURFACE FINISH EITHER BRIGHT ACID TIN (99.9% SN) OR MATTE TIN (95.5% SN, 3.5% AG, 1% CU) INSULATION: POLYESTER STIFFENER: POLYESTER</p>		<p>DESCRIPTION: .03937 [1.0000] FLEX CABLE JUMPER</p>	
<p>F:\DWG\MISC\MKTG\FJ-XX-X-XX.XX-X-MKT.SLDDRW</p>		<p>DWG. NO. FJ-XX-X-XX.XX-X</p>	
<p>BY: KEVIN B 3/29/99</p>		<p>SHEET 1 OF 3</p>	



IN-PROCESS 1



IN-PROCESS 2
(TYP ON BOTH ENDS FOR -D & -R STYLES)

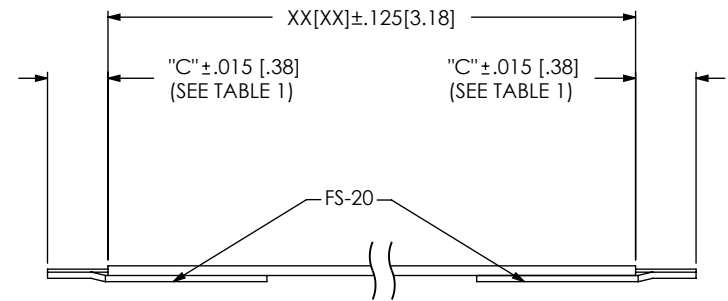


FIG 2
-D: DOUBLE ENDED
(SAME AS FIG 1, EXCEPT AS SHOWN)

(FIG 4 MAY BE SUBSTITUTED AT SAMTEC DISCRETION)

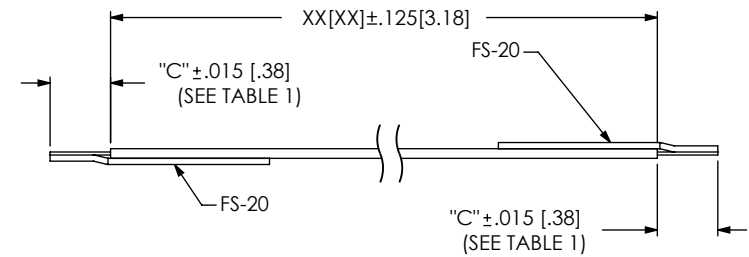


FIG 3
-R: REVERSE STIFFENER
(SAME AS FIG 1, EXCEPT AS SHOWN)

(FIG 5 MAY BE SUBSTITUTED AT SAMTEC DISCRETION)

PROPRIETARY NOTE
THIS DOCUMENT CONTAINS CONFIDENTIAL AND PROPRIETARY INFORMATION AND ALL DESIGN, MANUFACTURING, REPRODUCTION, USE, PATENT RIGHTS AND SALES RIGHTS ARE EXPRESSLY RESERVED BY SAMTEC, INC. THIS DOCUMENT SHALL NOT BE DISCLOSED, IN WHOLE OR PART, TO ANY UNAUTHORIZED PERSON OR ENTITY NOR REPRODUCED, TRANSFERRED OR INCORPORATED IN ANY OTHER PROJECT IN ANY MANNER WITHOUT THE EXPRESS WRITTEN CONSENT OF SAMTEC, INC.

DO NOT SCALE DRAWING

SHEET SCALE: 3:1



520 PARK EAST BLVD, NEW ALBANY, IN 47150
PHONE: 812-944-6733 FAX: 812-948-5047
e-Mail: info@SAMTEC.com code: 55322

DESCRIPTION: .03937 [1.0000] FLEX CABLE JUMPER

DWG. NO. FJ-XX-X-XX.XX-X

BY: KEVIN B 3/29/99 SHEET 2 OF 3

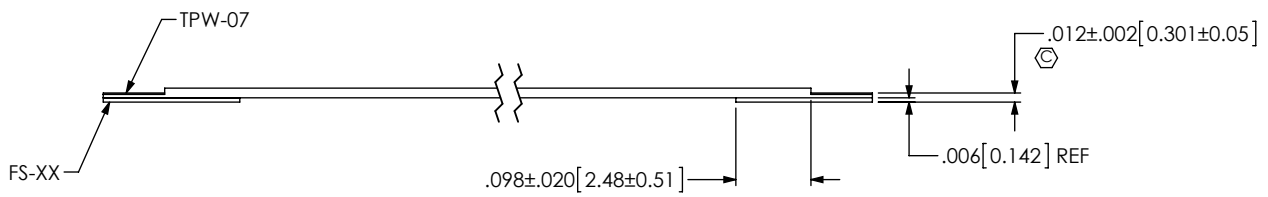
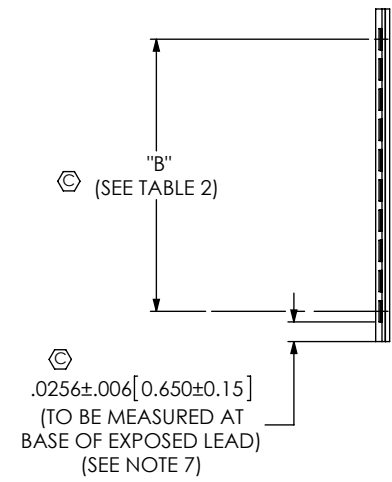
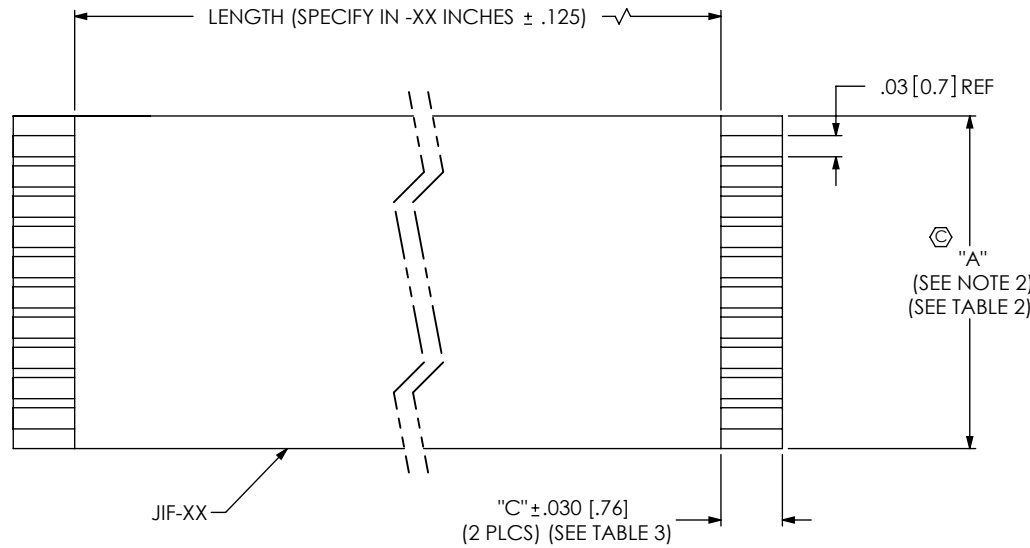


FIG 4
-D: DOUBLE ENDED
(FJ-10-D-XX.XX-4 SHOWN)

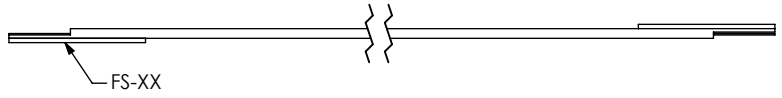


FIG 5
-R: REVERSE STIFFENER
(SAME AS FIG 4, EXCEPT AS SHOWN)

NO. OF POS	"A"	"B"
-05	.236	.157
-10	.433	.354
-15	.630	.551
-20	.827	.748
-25	1.024	.944
-30	1.221	1.142


STRIP LENGTH	"C"
-4	.157 [4.00]
-6	.236 [6.00]

No. OF POSITIONS	"No. OF CUT CABLES"
-5	6
-10	3
-15	2
-20	1
-25	1
-30	1

MATERIAL LENGTH (IN) PER CABLE		
-4	TPW-07	No. OF POS + 2 x (LENGTH + .314)
	FS-13 (SEE STRIP LENGTH)	6.30 / No. OF CUT CABLES (SEE TABLE 4)
	JIF-120	2 x (LENGTH + .314) / No. OF CUT CABLES (SEE TABLE 4)
-6	TPW-07	No. OF POS + 2 x (LENGTH + .472)
	FS-17 (SEE STRIP LENGTH)	6.30 / No. OF CUT CABLES (SEE TABLE 4)
	JIF-120	2 x (LENGTH + .472) / No. OF CUT CABLES (SEE TABLE 4)

PROPRIETARY NOTE
 THIS DOCUMENT CONTAINS CONFIDENTIAL AND PROPRIETARY INFORMATION AND ALL DESIGN, MANUFACTURING, REPRODUCTION, USE, PATENT RIGHTS AND SALES RIGHTS ARE EXPRESSLY RESERVED BY SAMTEC, INC. THIS DOCUMENT SHALL NOT BE DISCLOSED, IN WHOLE OR PART, TO ANY UNAUTHORIZED PERSON OR ENTITY NOR REPRODUCED, TRANSFERRED OR INCORPORATED IN ANY OTHER PROJECT IN ANY MANNER WITHOUT THE EXPRESS WRITTEN CONSENT OF SAMTEC, INC.

DO NOT SCALE DRAWING
 SHEET SCALE: 2:1



520 PARK EAST BLVD, NEW ALBANY, IN 47150
 PHONE: 812-944-6733 FAX: 812-948-5047
 e-Mail: info@SAMTEC.com code: 55322

DESCRIPTION: .03937 [1.0000] FLEX CABLE JUMPER
 DWG. NO. FJ-XX-X-XX.XX-X
 BY: KEVIN B 3/29/99 SHEET 3 OF 3